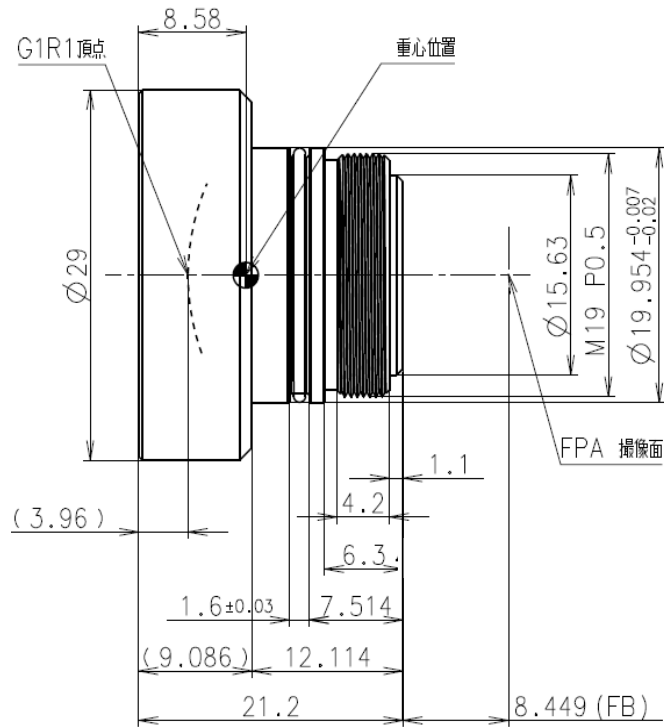


LQF2012N/A



		LQF2012N	LQF2012A
Spectral wave length range		8-14μm	
Focal length		20mm	
F Number		F/1.2	
Zoom ratio		--	
Back Focal distance		8.45mm±0.3mm (in Si)(Barrel rear edge to image plane)	
Detector package window		(Si) t=0.66mm	
Effective image circle diameter		≥φ 8.6mm	
FOV (Note *1)	H	9.0° (Note *1)	
	V	6.7° (Note *1)	
	D	11.2° (Note *1)	
Focusing system		Screw in/out lens assembly	
MOD (Minimum object distance)		0.5m	
Mechanical	Max. barrel dia. X length	φ 29mm x 21.2mm	
	Weight	16.1g	
	Optical image stabilization	N/A	
	Active Athermalization	N/A	
	Mount	threaded, M19xP0.5	
Reliability	Operating temp. (Performance)	-40°C~80°C	
	Operating temp. (Function)	--	
	Water & dust proof	IP67	
	Front element coating	DLC coating	AR coating

(Note 1) The field of view have been calculated based on a sensor size of 320x240, 10.0μm Pixel Pitch

* Product specification are subject to change without notice.

* Custom-made lenses are available according to customers' requested design/manufacturing specifications.
Please feel free to inquire.

TAMRON®

SC002B0000-00