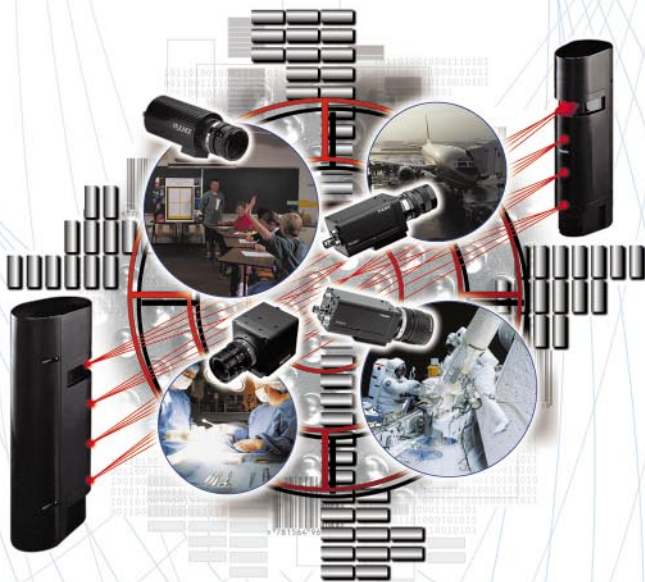


# SENSOR SPEAKER

**PV-12** (Power: 12V DC with output contact)



# PULNiX

Sensor Speaker is designed to play a message pre-recorded in the internal speech synthesised LSI when the sensor detects movement of people or vehicles.

Sensor Speaker includes a passive infrared sensor to detect the infrared (i.e. body temperature) emitted from a human body or vehicle, it then triggers the speech synthesis LSI (Large Scale Integrated Circuit) where the message is digitised and stored. A wide range of applications are possible such as welcoming messages at building entrances, alarm or warning messages at construction sites and other dangerous areas.

## Features

- **GENUINE SPEECH SYNTHESIS DEVICE WITH PIR SENSOR**

The speaker sends a message only when the built-in sensor detects people or vehicles. The speaker horn will output a maximum of 100dB at 1m.

- **EASY RECORDING AND PLAYBACK**

Maximum recording duration is 8 seconds. Recording is simple by talking into the microphone. It is also easy to replace the messages.

- **OUTPUT CONTACT TO TRIGGER OTHER SYSTEMS**

Sensor Speaker is equipped with a dry contact relay. It can be easily connected to lights, chimes, buzzers or camera systems etc.

- **OTHER FEATURES**

- Sound Volume adjustment.
- Memory back-up; message can be reserved for a maximum of 20 days without power.
- Weather proof.

## For Various Applications



- Alarm/warning speaker at construction sites



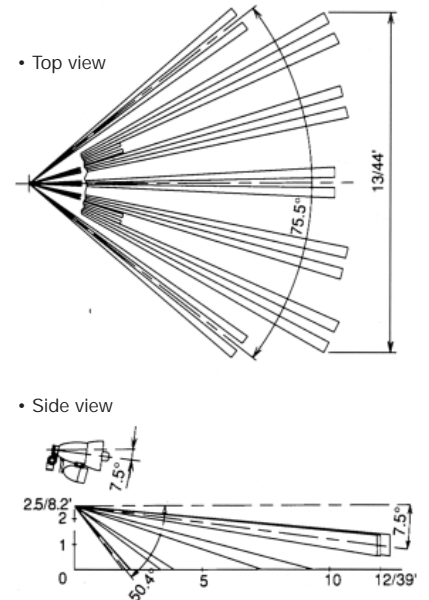
- Announcement speaker at houses

## Specifications

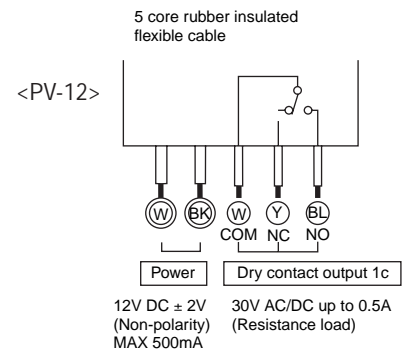
Model	Sensor Speaker
Model Number	PV-12
Detection System	Passive infrared
Detection Area	Wide angle max. 39' (12m)
Sensitive Zone	24 lines (12 twins)
Sensitivity Adjustment	Approx. 20 - 180% variable
Supply Power	12 ± 2VDC (non-polarity)
Power Consumption	stand by: within 20mA operation: within 500mA (max. Vol)
Detection Output Signal	Dry contact relay output Contact capa.: 30V AC/DC, 0.5A Output time : 8 sec. (playback time)
Warming-up Time	Approx. 60 sec. (recordable only)
Speech Synthesis Method	ADM Method (speech LSI solid recording)
Recording Method	Internal condenser mic.
Record/Playback Time	8 sec. (speech memory : 256kbits RAM)
Record Memory	More than 20 days without power
Back-Up Time	(Temp. -25°C, battery charged more than 30 minutes)
Sound Output Operation	One-shot playback (8 sec.) by input (detection signal) (No retrigger during playback)
Sound Output Sound Volume Operation	Max. 2W more than 100dB subject to good recording Variable from zero to max. (Recording) level indicator: good: flickering, small: lights on, big: off
LED	(Playback) Lights ON during playback time (8 sec.) Continuous input causes; continuous lighting during playback
Ambient Temperature	-20°C to +50°C (-4°F to +122°F)
Installation Places	Indoor/Outdoor (weather proof)
Installation Method	Screw on flange
Wiring Method	Lead wire (5 core) attached length: 19.7" (0.5m)
Weight	1,000g (including wire/50g)
External Appearance	Black (PC resin)
Accessory	Installation flange, screws

Due to ongoing product improvements, specifications may change without notice.

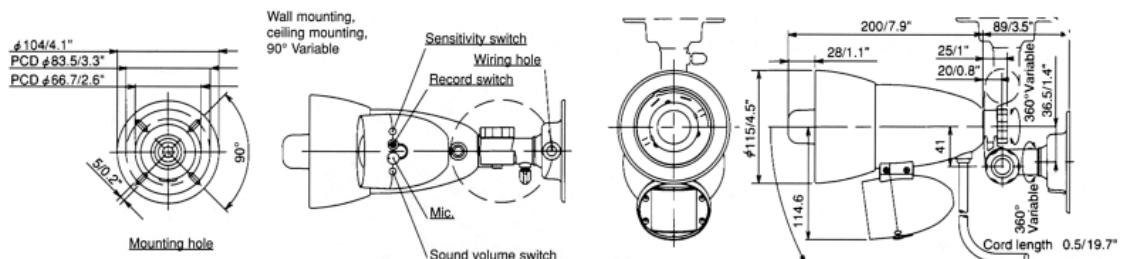
## Coverage (m/feet)



## Wiring



## Physical Dimensions mm/inch



Note: This sensor speaker is designed to detect passing objects and to initiate a signal. It is not a burglar-preventing device. PULNiX is not responsible for damages or losses caused by accidents, thefts, Acts of God (including inductive lightning), abuses, misuses, abnormal usages, faulty installation or improper maintenance. Regular maintenance and inspection (at least annually) by the installer and frequent testing by the user are vital to continuous satisfactory operation of any alarm system.



PULNiX's Certificate No.: 5123

### PULNiX Europe Ltd.

Aviary Court, Wade Road  
Basingstoke, Hants RG24 8PE, U.K.  
Tel: 44 (1256) 475555  
Fax: 44 (1256) 466268  
Email: sales@pulnix.co.uk  
Website: www.pulnix.co.uk

PV-12 DS-01 01