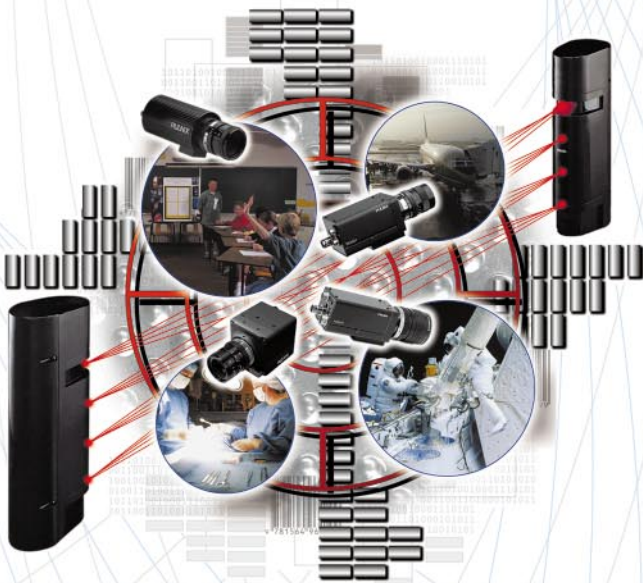
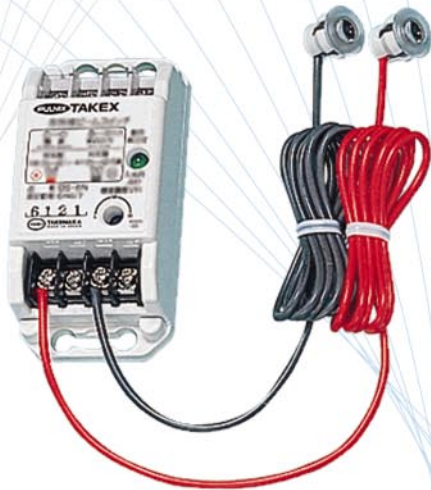


MINIATURISED PHOTOELECTRIC BEAM SENSOR

PB-10NSa (N/O contact: 33' (10m))

PB-10NSb (N/C contact: 33' (10m))



PULNiX

Miniaturized Photoelectric Beam Sensor PB-10NSa/ PB-10NSb is designed to cover 33' (10m) distance and is usable in wide applications inconspicuously, e.g. CD/ATM machine, motor-driven shutter, window or alley.

Features

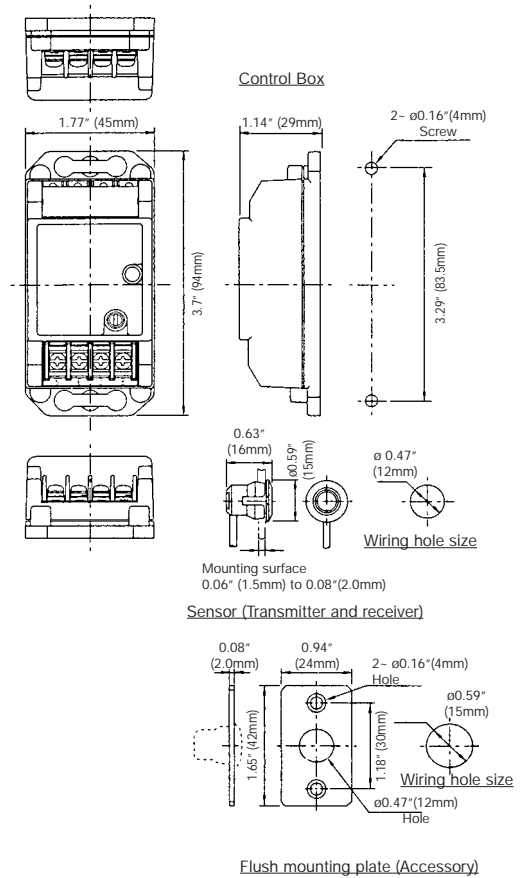
- **MINIATURISED CONTROL BOX**
W: 1.77" (45mm) x H: 3.7" (94mm) x D: 1.14" (29mm)
succeeded in reducing volume by 40% compared with our current amplifier to save installation space.
- **SENSOR CORD CAN BE CUT FREELY**
Both the transmitter cord and receiver cord can be cut as the installation requires. No need to bundle the extra cord. (Cord: 33'(10m) Max.)
- **EASY INSTALLATION**
For sensor head, make a preliminary hole 0.47" (ø12mm) to depth required. The diameter of the ring cover is 0.59" (ø15mm) allowing for ease of installation.
- **BUILT-IN SENSITIVITY VOLUME**
Adjustable to the optimal sensitivity as the installation demands.
- **TWO MODELS AVAILABLE**
N/O Contact (PB-10NSa) or N/C Contact (PB-10NSb) is available to meet various needs.
- **OTHER FEATURES**
 - High prevention against external light
 - Operation LED (Lights red at detection)

Specifications

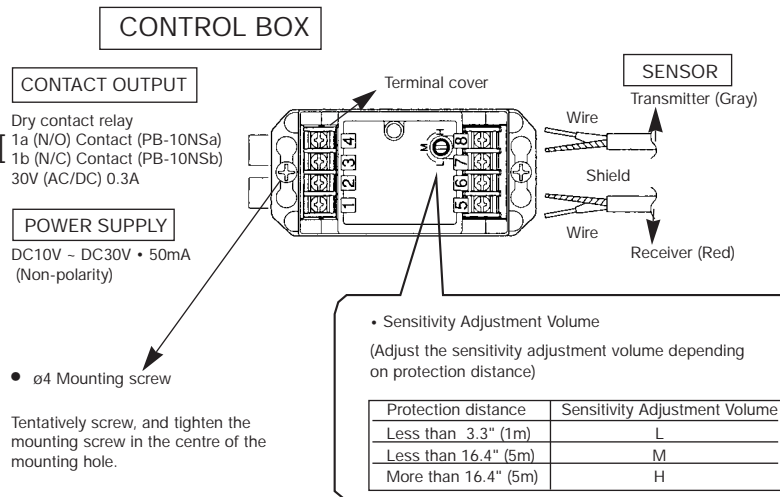
Model	Photoelectric Beam Sensor	
Model Number	PB-10NSa (N/O Contact)	PB-10NSb (N/C Contact)
Detection System	Near Infrared Beam	
Detection Area	33' (10m)	
Supply Voltage	10V to 30V DC (non-polarity)	
Current Consumption	50mA or less	
Alarm Output	Dry contact relay : 30V (AC/DC), 0.3A	
	Contact action: Interruption time + Delay time (approx. 1 sec.)	
	1a (N/O)	1b (N/C)
Response Time	Detect 100 msec. or more of beam interruption.	
Operation LED	Lights Red when detection (beam is interrupted)	
Ambient Temperature	-25°C to +55°C (-13°F to +131°F) without condensation or frozen	
Wiring	Terminals	
	Sensor	: PC resin
External Appearance	Control box	: ABS resin (white)
	Flush mount plate	: SUS304 (accessory)
Weight	Sensor: 100g (3.5oz) x 2 (includes wire)	
	Control box: 70g (2.5oz)	
	ø 4 mounting screw x 2	
Accessory	ø 3 mounting screw x 4 (for flush mounting plate)	
	Flush mounting plate x 2 (for 2 sensors)	

Due to ongoing product improvements, specifications may change without notice.

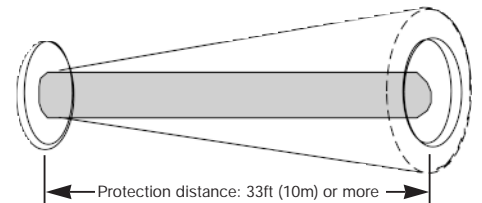
Physical Dimensions mm/inch



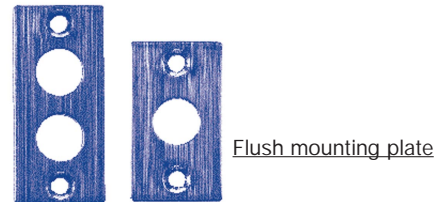
Terminal Arrangement



Coverage (m/feet)



Accessory



Note: This sensor is designed to detect intrusion and to initiate an alarm. It is not a burglar-preventing device. PULNiX is not responsible for damages or losses caused by accidents, thefts, Acts of God (including inductive lightning), abuses, misuses, abnormal usages, faulty installation or improper maintenance.



PULNiX's Certificate No.: 5123

PULNiX Europe Ltd.

Aviary Court, Wade Road
Basingstoke, Hants RG24 8PE, U.K.
Tel: 44 (1256) 475555
Fax: 44 (1256) 466268
Email: sales@pulnix.co.uk
Website: www.pulnix.co.uk

PB-10NSa/b DS-01 01