

TAKEX

The Choice of Professionals Worldwide.

MICROWAVE SENSOR MW-50



The TAKEX microwave sensor is especially designed for outdoor protection. K band microwave sensors achieve high stability in severe weather conditions.

High Reliability

24.1 GHz of microwave sensor reduces false alarms caused by severe weather conditions such as heavy fog, snowfall or rain.

Two Frequencies (H) and (L) Select

Two models are available with different frequencies, MW-50 (H) and MW-50 (L).

Adjustment Mode Switch

With adjustment mode switch, monitor output voltage (beam reception level) can be checked speedily.

LED

- Transmitter: Green LED ON when transmitting a signal
- Receiver: Red LED ON at alarm

Other Features

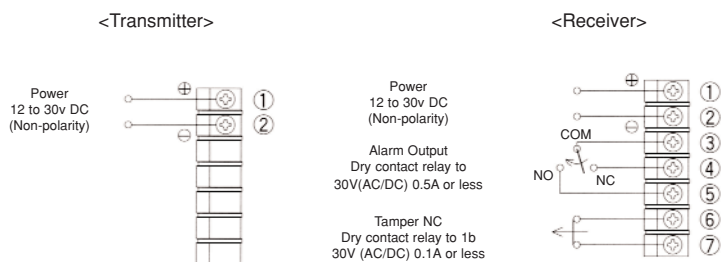
- Dual technology version available (COMIN50HF) microwave + Intelligent Quad Beam.
- Automatic Gain Control circuit
- Response time adjustment
- Antennae directional adjustment (horizontally +90 degrees, vertically +10 degrees)
- Monitor jack output
- Pole or wall mount

MICROWAVE SENSOR

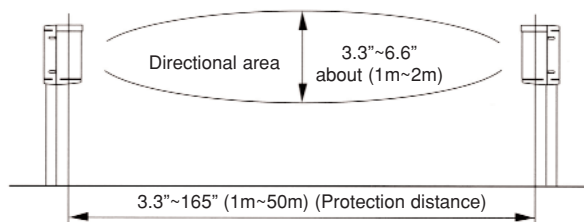
Specifications

Model	Microwave Sensor
Model Number	MW-50
Protection distance	3.3ft. (1m) to 165ft. (50m)
Max.arrival distance	Microwave: approx. 330ft. (100m)
Microwave	(L) 24.11GHz (H) 24.19GHz
Detection System	Microwave
Response Time	Microwave: 40msec. to 300msec. (Variable at pot)
Alarm Signal	Dry contact may relay output 1C N/O and N/C Contact action: interruption time output Contact capacity: 30V (AC/DC) 0.5A or less
Supply Voltage	12 to 30V DC
Power Consumption	100 mA Transmitter: 50mA Receiver: 50mA
Tamper signal	Dry contact output 1b (N/C) Contact capacity: 30V (AC/DC) 0.1A
Alarm LED (Receiver)	Red LED lighting at alarm
Transmission LED (Transmitter)	Green LED Lighting at sending signal
Functions	Monitor Output, Adjustment mode switch
Weight	Transmitter 710g Receiver 760g
Appearance	Wine red PC resin

Terminal Arrangement



Coverage

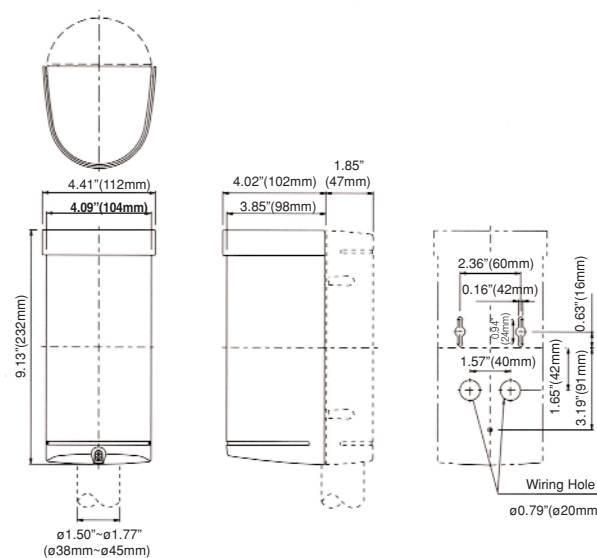


Optional

Pole Cover BP-50MW



External Dimensions (unit : inch)



Note: This sensor is designed to detect intrusion and to initiate an alarm. It is not a burglar-preventing device. TAKEX is not responsible for damage, injury or losses caused by accident, theft, Acts of God (including inductive surge by lightning), abuse, misuse, abnormal usage, faulty installation or improper maintenance.



TAKEX Europe Ltd.

Aviary Court, Wade Road
Basingstoke, Hants RG24 8PE, U.K.
Tel: 44 (1256) 475555
Fax: 44 (1256) 466268
Email: sales@takexeuropa.com
Website: www.takex.com

MW50 DS-0506

