

NVR2100 Series

Enterprise Megapixel RAID NVR



- Maximum 64CH 1080P Recording
- Enterprise-Grade RAID Subsystem
- Expandable to Maximum 448TB
- DAS and iSCSI SAN Supported
- Scalable Client-Server Architecture



Network Video Recorder

VMS Specifications

Live View	<ul style="list-style-type: none"> • Real-time network camera discovery • Versatile views of various screen divisions • HTML and image overlays • Multiple views supported • View patrolling for single or multiple views • Real time video/event alarm display • Instant playback • Video clip bookmarking 	Rule Manager	<ul style="list-style-type: none"> • Conditional recording/alert/notification • Email, FTP, SMS, phone notifications • Sound, alarm, round-the-clock alerts 																																																								
eMAP	<ul style="list-style-type: none"> • Drag-n-drop camera manipulation • Directional camera display • Hierarchical map structure • Real time event alert • Instant live video of camera • Multiple maps supported 	Remote Management	Full functional operation & management via standalone VMS Client																																																								
PTZ	<ul style="list-style-type: none"> • Pan, tilt, zoom operations (dependent of camera) • Built-in, floating PTZ control panel • Preset position (dependent of camera) • Scheduled or continuous camera patrolling • Event-driven camera patrolling • On Screen PTZ control 	Remote Client	<ul style="list-style-type: none"> • Web Client • iPhone Client 																																																								
Multiple Displays	<ul style="list-style-type: none"> • Up to 8 monitors • Supports live view, playback, eMap functions • Direct display to secondary monitor(s) 	3rd Party IPCAM	ACTi, Arecont Vision, Asoni, AVTECH, AXIS, Bosch, Dahua, HIKVISION, IQinVision, Lilin, MOBOTIX, Panasonic, SAMSUNG, SONY, VIVOTEK																																																								
Investigation	<ul style="list-style-type: none"> • Search by date, time, camera • Search by pre-defined recent time • Search by VI event combinations • Search over multiple days • Search over multiple cameras • Video clip bookmarking and commenting • Search via built-in VI analyzer • Customizable bookmark • Intuitive, video thumbnail search results • Cue-in, cue-out and repeat • Quick playback by video thumbnail • 1/8, 1/4, 1/2, 1x, 2x, 4x, 8x play, pause, stop • AVI-formatted video clip export • 4-channel synchronized playback 	Storage Expansion	<ul style="list-style-type: none"> • Supports Infortrend RAID storage • Built-in RAID storage management 																																																								
Instant Playback	<ul style="list-style-type: none"> • Supported in video alarm, event alarm, view functions • Pre-defined playback durations • Video clip bookmarking 	General & Misc	<ul style="list-style-type: none"> • Video codec: H.264, MPEG4, MJPEG • Image enhancement • Video privacy mask • Digital zoom in, zoom out • Log viewer • Windows lockup • Client auto login • Digital I/O management • Automatic storage recycling • Client-server architecture • Guaranteed performance of long period recording • Customizable appearance of Surveon logo • Supports up to 64 channels megapixel recording • Configurable video retention period • Digital watermark proofing • Language supported: English, French, German, Portuguese, Spanish, Simple Chinese, Traditional Chinese, Italian, Japanese, Russian, Slovak, Czech, Dutch and Polish • Support DDNS Function • Support CH Products USB joystick • Support ethernet I/O device* • Support NTP Server synchronized* 																																																								
Video Intelligence	<ul style="list-style-type: none"> • General motion detection • Missing object detection • Foreign object detection • Intrusion detection • Forbidden area detection • Tampering detection • Virtual fence • Object counting 	* Available soon																																																									
Recording Policy	<ul style="list-style-type: none"> • Continuous recording • Manual recording • Scheduled recording on daily or weekday basis • Event-driven recording along with rules • Pre-alarm recording up to 45 minutes • Post alarm recording up to 45 minutes 	<h3>Performance Validation</h3> <table border="1"> <thead> <tr> <th>Model</th> <th>Total Channels</th> <th>Camera Resolution</th> <th>Camera Compression</th> <th>Camera Bit Rate</th> <th>FPS</th> <th>Remote Client View</th> <th>Validation*</th> </tr> </thead> <tbody> <tr> <td>NVR2132</td> <td>32</td> <td>1920x1080</td> <td>H.264</td> <td>6Mbps</td> <td>25</td> <td>32+32</td> <td>PASS</td> </tr> <tr> <td>NVR2132</td> <td>32</td> <td>2048x1536</td> <td>H.264</td> <td>6Mbps</td> <td>15</td> <td>32+32</td> <td>PASS</td> </tr> <tr> <td>NVR2148</td> <td>48</td> <td>1920x1080</td> <td>H.264</td> <td>6Mbps</td> <td>25</td> <td>32+32</td> <td>PASS</td> </tr> <tr> <td>NVR2148</td> <td>48</td> <td>2048x1536</td> <td>H.264</td> <td>6Mbps</td> <td>15</td> <td>32+32</td> <td>PASS</td> </tr> <tr> <td>NVR2164</td> <td>64</td> <td>1280x1024</td> <td>H.264</td> <td>4Mbps</td> <td>30</td> <td>32+32</td> <td>PASS</td> </tr> <tr> <td>NVR2164</td> <td>64</td> <td>1920x1080</td> <td>H.264</td> <td>6Mbps</td> <td>25</td> <td>32+32</td> <td>PASS</td> </tr> </tbody> </table>		Model	Total Channels	Camera Resolution	Camera Compression	Camera Bit Rate	FPS	Remote Client View	Validation*	NVR2132	32	1920x1080	H.264	6Mbps	25	32+32	PASS	NVR2132	32	2048x1536	H.264	6Mbps	15	32+32	PASS	NVR2148	48	1920x1080	H.264	6Mbps	25	32+32	PASS	NVR2148	48	2048x1536	H.264	6Mbps	15	32+32	PASS	NVR2164	64	1280x1024	H.264	4Mbps	30	32+32	PASS	NVR2164	64	1920x1080	H.264	6Mbps	25	32+32	PASS
Model	Total Channels	Camera Resolution	Camera Compression	Camera Bit Rate	FPS	Remote Client View	Validation*																																																				
NVR2132	32	1920x1080	H.264	6Mbps	25	32+32	PASS																																																				
NVR2132	32	2048x1536	H.264	6Mbps	15	32+32	PASS																																																				
NVR2148	48	1920x1080	H.264	6Mbps	25	32+32	PASS																																																				
NVR2148	48	2048x1536	H.264	6Mbps	15	32+32	PASS																																																				
NVR2164	64	1280x1024	H.264	4Mbps	30	32+32	PASS																																																				
NVR2164	64	1920x1080	H.264	6Mbps	25	32+32	PASS																																																				

*Remarks: Tested on NVR 2.4.7.A10 with Remote Client View.

* All specifications are subject to change without notice.
 * All brand names and registered trademarks are the property of their respective owners.

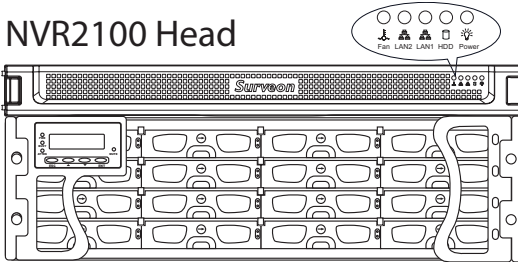
NVR2100 Series

Enterprise Megapixel RAID NVR

Functions

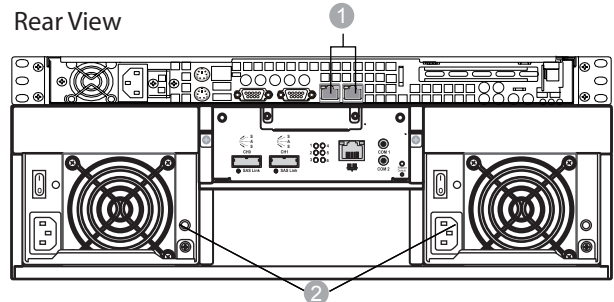
Front View

NVR2100 Head



RAID Subsystem

Rear View



- 1 2 x Ethernet Port
- 2 Redundant Power Supply & Redundant Thermal Fan

Package Content (NVR2100 Head)

Contents	Quantity
NVR2100 Series Network Video Recorder	1
Client Installation CD/DVD	1
Quick Installation Guide	1
Slide Rails	2
Slide Bracket	2
Cable Tie	2
Power Cord	2
RAID Subsystem*	1

Ordering Information

XXB	NVR2116-XXB	NVR2125-XXB	NVR2132-XXB	NVR2148-XXB	NVR2164-XXB
12B	33TB for 44 Days	33TB for 28 Days	33TB for 22 Days	33TB for 15 Days	33TB for 11 Days
16B	45TB for 60 Days	45TB for 38 Days	45TB for 30 Days	45TB for 20 Days	45TB for 15 Days
24B	66TB for 88 Days	66TB for 56 Days	66TB for 44 Days	66TB for 30 Days	66TB for 22 Days
32B	90TB for 120 Days	90TB for 76 Days	90TB for 60 Days	90TB for 40 Days	90TB for 30 Days
36B	99TB for 132 Days	99TB for 84 Days	99TB for 66 Days	99TB for 45 Days	99TB for 33 Days
48B	135TB for 180 Days	135TB for 114 Days	135TB for 90 Days	135TB for 60 Days	135TB for 45 Days
60B	165TB for 220 Days	165TB for 140 Days	165TB for 110 Days	165TB for 75 Days	165TB for 55 Days
64B	180TB for 240 Days	180TB for 152 Days	180TB for 120 Days	180TB for 80 Days	180TB for 60 Days
80B	225TB for 300 Days	225TB for 190 Days	225TB for 150 Days	225TB for 100 Days	225TB for 75 Days
84B	231TB for 308 Days	231TB for 196 Days	231TB for 154 Days	231TB for 105 Days	231TB for 77 Days
96B	270TB for 360 Days Recordin	270TB for 228 Days	270TB for 180 Days	270TB for 120 Days	270TB for 90 Days
112B	315TB for 420 Days	315TB for 266 Days	315TB for 210 Days	315TB for 140 Days	315TB for 105 Days

* Recording of megapixel, bit rate=4 Mbps, 24 hr per day, based on 3TB HDD, RAID5.

Optional Accessories

Part Number	Description
H72A2XA2XX-0030	Enterprise, 3TB SATA HDD
H72A1XA3XX-0030	Enterprise, 2TB SATA HDD
H72A2XA3XXDX-0030	Desktop, 3TB SATA HDD
H72A1XA3XXDX-0030	Desktop, 2TB SATA HDD

Hardware Specifications

NVR2100 Head	
System	Client-server architecture, Chassis: 1U 19" Rack
Server Processor	Intel Core i3 @ 3.3 GHz or Intel XEON @ 3.2 GHz
System Memory	4GB, DDRIII-1333
Operating System	2.5" HDD with Windows 7 Embedded System
I/O Interface	<ul style="list-style-type: none"> • PS2 Mouse port x1 • PS2 Keyboard port x1 • USB port x2 • Serial Port x1 • VGA Port x1 • RJ-45: 2x Gigabit Ethernet • SAS Expansion port (Option)
Electrical	<ul style="list-style-type: none"> • Input voltage : 100-240 V, 50-60 Hz, 4.2-1.8 Amp • Power: Single 350 watt AC power
Power Consumption	Rated output power: 350 W
Weight	Gross weight: 16.5 kg (38 lb.)
Dimensions	50.3(W)x 43.7(D)x 4.3(H) cm (19.85 " x 17.2 " x 1.7 ")
Environmental	Temperature: <ul style="list-style-type: none"> • Operating: 10° C to 35° C (50° F to 95° F) • Non-operating: -40° C to 70° C (-40° F to 158° F) Humidity: <ul style="list-style-type: none"> • Operating: 8% to 90%, non-condensing • Non-operating: 5% to 95% non-condensing
Certificates	CB, FCC / CE Class A, UL60959/ IEC 60950, CCC
RAID Subsystem	
Host Connectivity	1 or 2 SAS 4x wide ports per controller
Drive Connectivity	SAS/SATA-II disk, 12 or 16 drives per system, hot swappable
Form Factor	2~3U, 19 inch rackmount
RAID Functionality	RAID 0, 1 (0+1), 3, 5, 6, 10, 30, 50, 60, hot-spare, online expansion, RAID migration, intelligent drive handling
Environmental	Operating temperature: 5° to 40°C (35°C if battery is applied) Non-operating temperature: - 40° to 60°C Humidity: 5 to 95%, non-condensing
Dimensions	12 Bay: chassis without handles: 446(W) x 88(H) x 490(D) mm; chassis with handles: 482 (W) x 88(H) x 505(D) mm 16 Bay: chassis without handles: 445(W) x 130(H) x 488.2(D) mm; chassis with handles: 482.6(W) x 131(H) x 504.3(D) mm
Weight	Gross weight : 12 Bay:25kg ; 16 Bay: 30.5kg
Certification	CE, FCC Class B, BSMI, UL, GOST-R

Network Video Recorder