

# NVR2000 Series

Enterprise Megapixel RAID NVR



- Optimized for Megapixel Video Recording
- Maximum 64CH Megapixel Video Recording
- Expandable to 160TB
- Hardware RAID Subsystem
- Data Protection, RAID 5, 6
- Built-in Surveon Enterprise VMS
- Installation & Integration Free
- 3 Year Warranty

Network Video Recorder

## VMS Specifications

Live View	<ul style="list-style-type: none"> <li>• Real-time network camera discovery</li> <li>• Versatile views of various screen divisions</li> <li>• HTML and image overlays</li> <li>• Multiple views supported</li> <li>• View patrolling for single or multiple views</li> <li>• Real time video/event alarm display</li> <li>• Instant playback</li> <li>• Video clip bookmarking</li> </ul>	Recording Policy	<ul style="list-style-type: none"> <li>• Continuous recording</li> <li>• Manual recording</li> <li>• Scheduled recording on daily or weekday basis</li> <li>• Event-driven recording along with rules</li> <li>• Pre-alarm recording up to 45 minutes</li> <li>• Post alarm recording up to 45 minutes</li> </ul>
eMAP	<ul style="list-style-type: none"> <li>• Drag-n-drop camera manipulation</li> <li>• Directional camera display</li> <li>• Hierarchical map structure</li> <li>• Real time event alert</li> <li>• Instant live video of camera</li> <li>• Multiple maps supported</li> </ul>	Rule Manager	<ul style="list-style-type: none"> <li>• Conditional recording/alert/notification</li> <li>• Email, FTP, SMS, phone notifications</li> <li>• Sound, alarm, round-the-clock alerts</li> </ul>
PTZ	<ul style="list-style-type: none"> <li>• Pan, tilt, zoom operations (dependent of camera)</li> <li>• Built-in, floating PTZ control panel</li> <li>• Preset position (dependent of camera)</li> <li>• Scheduled or continuous camera patrolling</li> <li>• Event-driven camera patrolling</li> </ul>	Remote Management	Full functional operation & management via standalone VMS Client
Multiple Displays	<ul style="list-style-type: none"> <li>• Up to 8 monitors</li> <li>• Supports live view, playback, eMap functions</li> <li>• Direct display to secondary monitor(s)</li> </ul>	3rd Party IPCAM	AXIS, SONY, Panasonic, Mobotix, Arecont Vision, IQinVision, Zavio, VIVOTEK, ACTi, D-Link, Asoni, AVTech
Investigation	<ul style="list-style-type: none"> <li>• Search by date, time, camera</li> <li>• Search by pre-defined recent time</li> <li>• Search by VI event combinations</li> <li>• Search over multiple days</li> <li>• Search over multiple cameras</li> <li>• Video clip bookmarking and commenting</li> <li>• Search via built-in VI analyzer</li> <li>• Customizable bookmark</li> <li>• Intuitive, video thumbnail search results</li> <li>• Cue-in, cue-out and repeat</li> <li>• Quick playback by video thumbnail</li> <li>• 1/8, 1/4, 1/2, 1x, 2x, 4x, 8x play, pause, stop</li> <li>• AVI-formated video clip export</li> <li>• 4-channel synchronized playback*</li> </ul>	General & Misc	<ul style="list-style-type: none"> <li>• Video codec: H.264, MPEG4, MJPEG</li> <li>• Image enhancement</li> <li>• Video privacy mask</li> <li>• Digital zoom in, zoom out</li> <li>• Log viewer</li> <li>• Windows lockup</li> <li>• Client auto login</li> <li>• Digital I/O management</li> <li>• Automatic storage recycling</li> <li>• Client-server architecture</li> <li>• Guaranteed performance of long period recording</li> <li>• Supports up to 64 channels megapixel recording</li> <li>• Configurable video retention period</li> <li>• Built-in RAID storage management</li> <li>• Digital watermark proofing*</li> <li>• Language supported: English, French, German, Portuguese, Spanish, Simple Chinese, Traditional Chinese</li> </ul>
Instant Playback	<ul style="list-style-type: none"> <li>• Supported in video alarm, event alarm, view functions</li> <li>• Pre-defined playback durations</li> <li>• Video clip bookmarking</li> </ul>	* Available in VMS 2.4.5	
Video Intelligence	<ul style="list-style-type: none"> <li>• General motion detection</li> <li>• Missing object detection</li> <li>• Foreign object detection</li> <li>• Intrusion detection</li> <li>• Forbidden area detection</li> <li>• Tampering detection</li> <li>• Virtual fence*</li> <li>• Object counting*</li> </ul>		

\* All specifications are subject to change without notice.  
\* All brand names and registered trademarks are the property of their respective owners.

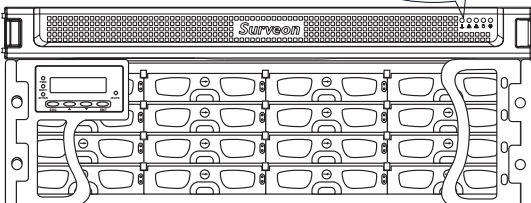
# NVR2000 Series

Enterprise Megapixel RAID NVR

## Functions

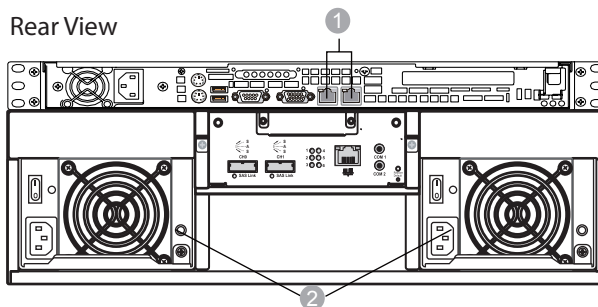
Front View

NVR2000 Head



RAID Subsystem

Rear View



- ① 2 x Ethernet Port
- ② Redundant Power Supply & Redundant Thermal Fan

## Package Content (NVR2000 Head)

Contents	Quantity
NVR2000 Series Network Video Recorder	1
Client Installation CD/DVD	1
Quick Installation Guide	1
Slide Rails	2
Slide Bracket	2
Cable Tie	2
Power Cord	2
RAID Subsystem*	1

\* For more information, please refer to iVS datasheets

## Ordering Information

Part Number	Description
NVR2016-4B	16CH, 7 days recording, up to 8TB
NVR2016-12B	16CH, 7 days recording, up to 22TB, RAID5
NVR2016-12B	16CH, 14 days recording, up to 22TB, RAID5
NVR2016-16B	16CH, 30 days recording, up to 30TB, RAID5
NVR2025-4B	25CH, 7 days recording, up to 8TB
NVR2025-12B	25CH, 7 days recording, up to 22TB, RAID5
NVR2025-12B	25CH, 14 days recording, up to 22TB, RAID5
NVR2025-24B	25CH, 30 days recording, up to 44TB, RAID5
NVR2032-12B	32CH, 7 days recording, up to 22TB, RAID5
NVR2032-12B	32CH, 14 days recording, up to 22TB, RAID5
NVR2032-24B	32CH, 30 days recording, up to 44TB, RAID5
NVR2048-12B	48CH, 7 days recording, up to 22TB, RAID5
NVR2048-16B	48CH, 14 days recording, up to 32TB
NVR2048-24B	48CH, 14 days recording, up to 44TB, RAID5
NVR2048-36B	48CH, 30 days recording, up to 66TB, RAID5
NVR2064-12B	64CH, 7 days recording, up to 22TB, RAID5
NVR2064-24B	64CH, 14 days recording, up to 44TB, RAID5
NVR2064-48B	64CH, 30 days recording, up to 88TB, RAID5

\* Recording of megapixel, bit rate=4 Mbps, 24 hr per day, based on 2TB HDD.

\*\* HDD is not included in the above P/N.

## Optional Accessories

Part Number	Description
H72A0HA2321-0030	Enterprise, 1TB SATA HDD
H72A1HA2321-0030	Enterprise, 2TB SATA HDD
H72A0HA2161-0030	Desktop, 1TB SATA HDD
H72A1XA2XXD1-0010	Desktop, 2TB SATA HDD

## Hardware Specifications

NVR2000 Head	
System	Client-server architecture, Chassis: 1U 19" Rack
Server Processor	Intel® Dual Core @2.5GHz
System Memory	4GB, DDR2
I/O Interface	<ul style="list-style-type: none"> <li>• RJ-45: 2xGigabit Ethernet</li> <li>• SAS Expansion port</li> </ul>
Electrical	<ul style="list-style-type: none"> <li>• Input voltage :115 V AC @ 6 A/240 V AC @ 3 A</li> <li>• Frequency: 47 to 63 Hz</li> <li>• Power: Single 250 watt</li> </ul>
Power Consumption	Rated output power: 300 W
Weight	Gross weight: 17.3 kg (38 lb.)
Dimensions	50.4(W)x 43.7(D)x 4.3(H) cm (19.85 " x 17.2 " x 1.7 ")
Environmental	Temperature: <ul style="list-style-type: none"> <li>• Operating: 10 °C to 35°C (50 °F to 95 °F)</li> <li>• Non-operating: -40 °C to 70°C (-40 °F to 158 °F)</li> </ul> Humidity: <ul style="list-style-type: none"> <li>• Operating: 5 % to 95 %, non-condensing</li> <li>• Non-operating: 5 % to 95 % non-condensing</li> </ul>
Certificates	FCC Class A, CE, CB, UL60959/ IEC 60950, CCC
RAID Subsystem	
Host Connectivity	1 or 2 SAS 4x wide ports per controller
Drive Connectivity	SAS/SATA-II disk, 12 or 16 drives per system, hot swappable
Form Factor	2~3U, 19 inch rackmount
RAID Functionality	RAID 0, 1 (0+1), 3, 5, 6, 10, 30, 50, 60, hot-spare, online expansion, RAID migration, intelligent drive handling
Power Consumption	12Bay: 350W; 16 Bay: 460W
Cooling	High or low rotation speed controlled by firmware proactive mechanisms
Environmental	Operating temperature: 5° to 40°C (35°C if battery is applied) Non-operating temperature: - 40° to 60°C Humidity: 5 to 95%, non-condensing
Dimensions	12 Bay: chassis without handles: 446(W) x 88(H) x 490(D) mm; chassis with handles: 482 (W) x 88(H) x 505(D) mm 16 Bay: chassis without handles: 445(W) x 130(H) x 488.2(D) mm; chassis with handles: 482.6(W) x 131(H) x 504.3(D) mm
Weight	12 Bay: gross weight: 25kg; 16 Bay: 30.5kg
Certification	CE, FCC Class B, BSMI, UL, GOST-R (dependent of iVS model)

\* For more information, please refer to iVS datasheets