

# NVR2100 Series

Enterprise Megapixel RAID NVR



- Maximum 64CH 1080P Recording
- Enterprise-Grade RAID Subsystem
- Expandable to Maximum 320TB
- DAS and iSCSI SAN Supported
- Scalable Client-Server Architecture



Network Video Recorder

## VMS Specifications

Live View	<ul style="list-style-type: none"> <li>• Real-time network camera discovery</li> <li>• Versatile views of various screen divisions</li> <li>• HTML and image overlays</li> <li>• Multiple views supported</li> <li>• View patrolling for single or multiple views</li> <li>• Real time video/event alarm display</li> <li>• Instant playback</li> <li>• Video clip bookmarking</li> </ul>
eMAP	<ul style="list-style-type: none"> <li>• Drag-n-drop camera manipulation</li> <li>• Directional camera display</li> <li>• Hierarchical map structure</li> <li>• Real time event alert</li> <li>• Instant live video of camera</li> <li>• Multiple maps supported</li> </ul>
PTZ	<ul style="list-style-type: none"> <li>• Pan, tilt, zoom operations (dependent of camera)</li> <li>• Built-in, floating PTZ control panel</li> <li>• Preset position (dependent of camera)</li> <li>• Scheduled or continuous camera patrolling</li> <li>• Event-driven camera patrolling</li> <li>• On Screen PTZ control</li> </ul>
Multiple Displays	<ul style="list-style-type: none"> <li>• Up to 8 monitors</li> <li>• Supports live view, playback, eMap functions</li> <li>• Direct display to secondary monitor(s)</li> </ul>
Investigation	<ul style="list-style-type: none"> <li>• Search by date, time, camera</li> <li>• Search by pre-defined recent time</li> <li>• Search by VI event combinations</li> <li>• Search over multiple days</li> <li>• Search over multiple cameras</li> <li>• Video clip bookmarking and commenting</li> <li>• Search via built-in VI analyzer</li> <li>• Customizable bookmark</li> <li>• Intuitive, video thumbnail search results</li> <li>• Cue-in, cue-out and repeat</li> <li>• Quick playback by video thumbnail</li> <li>• 1/8, 1/4, 1/2, 1x, 2x, 4x, 8x play, pause, stop</li> <li>• AVI-formatted video clip export</li> <li>• 4-channel synchronized playback</li> </ul>
Instant Playback	<ul style="list-style-type: none"> <li>• Supported in video alarm, event alarm, view functions</li> <li>• Pre-defined playback durations</li> <li>• Video clip bookmarking</li> </ul>
Video Intelligence	<ul style="list-style-type: none"> <li>• General motion detection</li> <li>• Missing object detection</li> <li>• Foreign object detection</li> <li>• Intrusion detection</li> <li>• Forbidden area detection</li> <li>• Tampering detection</li> <li>• Virtual fence</li> <li>• Object counting</li> </ul>
Recording Policy	<ul style="list-style-type: none"> <li>• Continuous recording</li> <li>• Manual recording</li> <li>• Scheduled recording on daily or weekday basis</li> <li>• Event-driven recording along with rules</li> <li>• Pre-alarm recording up to 45 minutes</li> <li>• Post alarm recording up to 45 minutes</li> </ul>

Rule Manager	<ul style="list-style-type: none"> <li>• Conditional recording/alert/notification</li> <li>• Email, FTP, SMS, phone notifications</li> <li>• Sound, alarm, round-the-clock alerts</li> </ul>
Remote Management	Full functional operation & management via standalone VMS Client
Remote Client	<ul style="list-style-type: none"> <li>• Web Client</li> <li>• iPhone Client</li> </ul>
3rd Party IPCAM	ACTi, Arecont Vision, Asoni, AVTECH, AXIS, Bosch, Dahua, HIKVISION, IQinVision, Lilin, MOBOTIX, Panasonic, SAMSUNG, SONY, VIVOTEK
Storage Expansion	<ul style="list-style-type: none"> <li>• Supports Infortrend RAID storage</li> <li>• Built-in RAID storage management</li> </ul>
General & Misc	<ul style="list-style-type: none"> <li>• Video codec: H.264, MPEG4, MJPEG</li> <li>• Image enhancement</li> <li>• Video privacy mask</li> <li>• Digital zoom in, zoom out</li> <li>• Log viewer</li> <li>• Windows lockup</li> <li>• Client auto login</li> <li>• Digital I/O management</li> <li>• Automatic storage recycling</li> <li>• Client-server architecture</li> <li>• Guaranteed performance of long period recording</li> <li>• Customizable appearance of Surveon logo</li> <li>• Supports up to 64 channels megapixel recording</li> <li>• Configurable video retention period</li> <li>• Digital watermark proofing</li> <li>• Language supported: English, French, German, Portuguese, Spanish, Simple Chinese, Traditional Chinese, Italian, Japanese, Russian, Slovak, Czech, Dutch and Polish</li> <li>• Support DDNS Function</li> <li>• Support CH Products USB joystick</li> <li>• Support ethernet I/O device*</li> <li>• Support NTP Server synchronized*</li> </ul>

\* Available soon

## Performance Validation

Model	Total Channels	Camera Resolution	Camera Compression	Camera Bit Rate	FPS	Remote Client View	Validation*
NVR2132	32	1920x1080	H.264	6Mbps	25	32+32	PASS
NVR2132	32	2048x1536	H.264	6Mbps	15	32+32	PASS
NVR2148	48	1920x1080	H.264	6Mbps	25	32+32	PASS
NVR2148	48	2048x1536	H.264	6Mbps	15	32+32	PASS
NVR2164	64	1280x1024	H.264	4Mbps	30	32+32	PASS

\*Remarks: Tested on NVR 2.4.7.A10 with Remote Client View.

\* All specifications are subject to change without notice.  
\* All brand names and registered trademarks are the property of their respective owners.

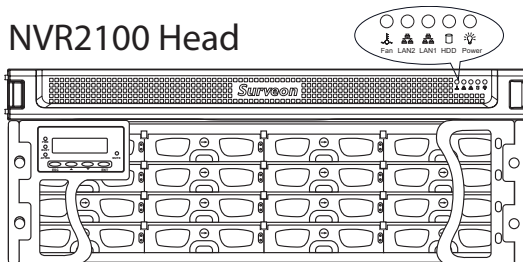
# NVR2100 Series

Enterprise Megapixel RAID NVR

## Functions

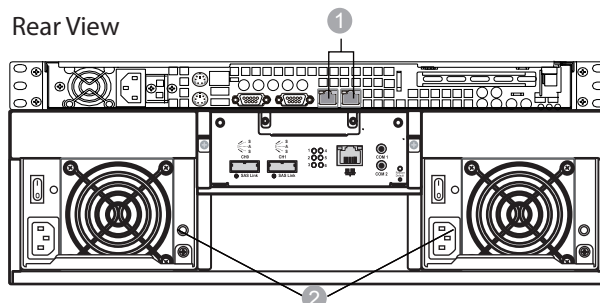
Front View

NVR2100 Head



RAID Subsystem

Rear View



- ① 2 x Ethernet Port
- ② Redundant Power Supply & Redundant Thermal Fan

## Package Content (NVR2100 Head)

Contents	Quantity
NVR2100 Series Network Video Recorder	1
Client Installation CD/DVD	1
Quick Installation Guide	1
Slide Rails	2
Slide Bracket	2
Cable Tie	2
Power Cord	2
RAID Subsystem*	1

## Ordering Information

Part Number	Description
NVR2116-12B	16CH, 30 days recording, up to 22TB, RAID5
NVR2116-16B	16CH, 40 days recording, up to 30TB, RAID5
NVR2125-12B	25CH, 20 days recording, up to 22TB, RAID5
NVR2125-24B	25CH, 40 days recording, up to 44TB, RAID5
NVR2132-12B	32CH, 15 days recording, up to 22TB, RAID5
NVR2132-24B	32CH, 30 days recording, up to 44TB, RAID5
NVR2132-36B	32CH, 45 days recording, up to 66TB, RAID5
NVR2148-12B	48CH, 10 days recording, up to 22TB, RAID5
NVR2148-24B	48CH, 20 days recording, up to 44TB, RAID5
NVR2148-36B	48CH, 30 days recording, up to 66TB, RAID5
NVR2164-12B	64CH, 7 days recording, up to 22TB, RAID5
NVR2164-24B	64CH, 15 days recording, up to 44TB, RAID5
NVR2164-36B	64CH, 20 days recording, up to 66TB, RAID5
NVR2164-48B	64CH, 30 days recording, up to 88TB, RAID5

\* Recording of megapixel, bit rate=4 Mbps, 24 hr per day, based on 2TB HDD.

\*\* HDD is not included in the above P/N.

## Optional Accessories

Part Number	Description
H72A2XA2XX-0030	Enterprise, 3TB SATA HDD
H72A1XA3XX-0030	Enterprise, 2TB SATA HDD
H72A2XA3XXDX-0030	Desktop, 3TB SATA HDD
H72A1XA3XXDX-0030	Desktop, 2TB SATA HDD

## Hardware Specifications

NVR2100 Head	
System	Client-server architecture, Chassis: 1U 19" Rack
Server Processor	Intel Core i3 @ 3.3 GHz or Intel XEON @ 3.2 GHz
System Memory	4GB, DDRIII-1333
Operating System	2.5" HDD with Windows 7 Embedded System
I/O Interface	<ul style="list-style-type: none"> <li>• PS2 Mouse port x1</li> <li>• PS2 Keyboard port x1</li> <li>• USB port x2</li> <li>• Serial Port x1</li> <li>• VGA Port x1</li> <li>• RJ-45: 2x Gigabit Ethernet</li> <li>• SAS Expansion port (Option)</li> </ul>
Electrical	<ul style="list-style-type: none"> <li>• Input voltage : 100-240 V, 50-60 Hz, 4.2-1.8 Amp</li> <li>• Power: Single 350 watt AC power</li> </ul>
Power Consumption	Rated output power: 350 W
Weight	Gross weight: 16.5 kg (38 lb.)
Dimensions	50.3(W)x 43.7(D)x 4.3(H) cm (19.85" x 17.2" x 1.7")
Environmental	Temperature: <ul style="list-style-type: none"> <li>• Operating: 10° C to 35° C (50° F to 95° F)</li> <li>• Non-operating: -40° C to 70° C (-40° F to 158° F)</li> </ul> Humidity: <ul style="list-style-type: none"> <li>• Operating: 8% to 90%, non-condensing</li> <li>• Non-operating: 5% to 95% non-condensing</li> </ul>
Certificates	CB, FCC / CE Class A, UL60959/ IEC 60950, CCC
RAID Subsystem	
Host Connectivity	1 or 2 SAS 4x wide ports per controller
Drive Connectivity	SAS/SATA-II disk, 12 or 16 drives per system, hot swappable
Form Factor	2~3U, 19 inch rackmount
RAID Functionality	RAID 0, 1 (0+1), 3, 5, 6, 10, 30, 50, 60, hot-spare, online expansion, RAID migration, intelligent drive handling
Environmental	Operating temperature: 5° to 40°C (35°C if battery is applied) Non-operating temperature: - 40° to 60°C Humidity: 5 to 95%, non-condensing
Dimensions	12 Bay: chassis without handles: 446(W) x 88(H) x 490(D) mm; chassis with handles: 482 (W) x 88(H) x 505(D) mm 16 Bay: chassis without handles: 445(W) x 130(H) x 488.2(D) mm; chassis with handles: 482.6(W) x 131(H) x 504.3(D) mm
Weight	Gross weight : 12 Bay:25kg ; 16 Bay: 30.5kg
Certification	CE, FCC Class B, BSMI, UL, GOST-R

Network Video Recorder