

# CAM6351

## 20x Zoom Full HD Day&Night Outdoor Speed Dome Network Camera



- Full HD & Real Time Network Camera
- 2 Megapixel SONY Progressive Scan Sensor
- Up to 1920 x 1080 Video Resolution
- H.264/MJPEG 2 Simultaneous Video Streams
- Motion Detection & Surveon Video Intelligent
- Day/Night Function with IR-Cut Filter
- 20X Optical Zoom and Auto Focus
- IP66 and Wide Temperature for Outdoor Application



### Product Specification

Camera	
Image Sensor	1/2.8" 2 megapixel SONY low light CMOS
Lens	4.7 ~ 94 mm autofocus lens, F1.6 (wide) - F3.7 (tele)
SNR	48dB
WDR	Yes
Day/Night ICR	Yes
IR LED	N/A
Min Illumination	0.01 Lux @ F1.6 (B/W) 0.1 Lux @ F1.6 (Color)
Iris Control	Automatic / Manual IRIS control
Shutter time	1/30 ~ 1/10,000 s
Viewing Angle	Diagonal: 68.6°~3.12° Horizontal: 57.8°~2.53° Vertical: 43.7°~1.83°
Camera Angle Adjustment	Pan: 360° endless, 5°~400°/s Tilt: -10° ~ +190°, 5°~400°/s
Pan/Tilt/Zoom Functionalities	1. 180° Horizontal Instant Flip 2. 256 preset positions 3. Preset position auto scanning 4. 20x optical zoom and 8x digital zoom, total 160x zoom
Video	
Video Compression	H.264/MJPEG
Resolution	Up to 1920 x 1080
Frame Rate	30 fps at 1080P (1920 x 1080) 30 fps at SXGA (1280 x 1024) 60 fps at HD720 (1280 x 720) 60 fps at D1 (720 x 480) 60 fps at VGA (640 x 480) 60 fps at QVGA (320 x 240)
Video stream	Dual stream at H.264, MPEG-4, and MJPEG simultaneously
Bit Rate	64K ~ 10Mbps, VBR, CBR, controller frame rate and quality
Video Control	AGC (Auto Gain Control), AWB (Auto White Balance), BLC (Back Light Compensation), Image adjustment, Privacy zone: On/Off (16 zones)
Intelligent video	Motion detection
Video Jack	N/A

Audio	
Built-in MIC	N/A
Audio Compression	G711/G.726, ADPCM/AAC
Audio Input/Output	3.5mm phone jack
I/O and Event Management	
Alarm In	4, terminal block
Alarm Out	2, terminal block
Video Buffer	N/A
Event Action	Send snapshot or video clip by FTP or email, record to local storage, trigger DO
Network	
Supported Protocols	IPv4/v6, TCP/IP, UDP, RTP, RTSP, HTTP, HTTPS, ICMP, FTP, SMTP, DHCP, PPPoE, UPnP, IGMP, SNMP, QoS, IEEE 802.1X, ONVIF
Ethernet	10/100 Base-T / RJ45
System	
Local Storage	microSDHC x 1
RS-485	N/A
USB	N/A
SDK	Surveon SDK 2.0
Viewing System	
OS	Microsoft Windows XP/Vista/7
Browser	Microsoft IE 6.0 or above
Software	Surveon VMS 2.4.7
General	
Temperature	Operation: -40°C ~ 50°C (-40°F ~ 122°F)
Humidity	0 to 90%
Power	24VAC 3A
Power Consumption	Max. 20W (w/o Heater) Max. 65W (w/ Heater)
Dimension	ø192mm x 282mm (H) ø7.55" x 11.1" (H)
Weight	Net: 2.32kg / Gross: 3.55kg
Certification	Safety: LVD EMC: FCC, CE, GOST, KCC

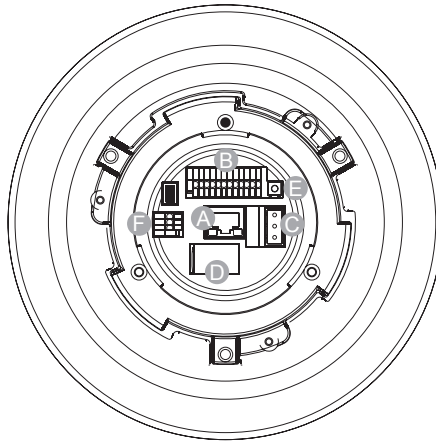
\* All specifications are subject to change without notice.  
\* All brand names and registered trademarks are the property of their respective owners.

# CAM6351

20x Zoom Full HD Day&Night Outdoor Speed Dome Network Camera

## Part Names and Functions

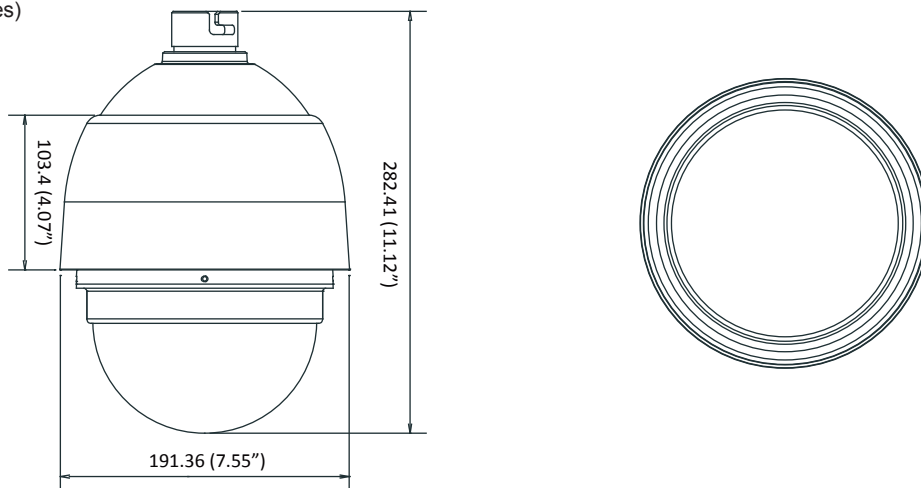
Bottom View



- A RJ-45 Connector
- B ALARM I/O
- C Power
- D microSDHC Card Slot
- E Factory Reset Button
- F Audio I/O

## Appearance

Unit:mm(inches)



## Package Content

Contents	Quantity
Quick Installation Guide	1
Product DVD	1
CAM6351	1
Decoration Ring	1
Screw Hole Indicator Sticker	1
Anchors and Mounting Screws	3

## Optional Accessories

Part Number	Description
ZBracketI2-0010	I type bracket for outdoor speed dome.
ZBracketI3-0010	I type bracket for outdoor speed dome.
ZBracketT1-0010	Tube type bracket for outdoor speed dome.
ZBracketT2-0010	Tube type bracket for outdoor speed dome.
ZPWR110-0030	Power Supply, DC, 110V input, 24V output
ZPWR230-0030	Power Supply, DC, 230V input, 24V output

## Ordering Information

Part Number	Description
CAM6351-0015	20x Zoom Outdoor IP Speed Dome with autofocus lens