

CAM4571

5 Megapixel Auto Focus Day&Night Outdoor Fixed Dome Network



- 5 Megapixel Progressive Scan Sensor
- Up to 2560 x 1920 Video Resolution
- H.264/MPEG4/MJPEG 2 Simultaneous Video Streams
- Surveon Video Intelligent Ready
- 3x Optical Zoom with Auto Focus
- DC Iris Control and Day/Night IR-Cut Filter
- PoE (IEEE 802.3af) and WDR (Wide Dynamic Range)
- Built-in IR Illuminators, Effective Up to 15 Meters
- IP66, Wide Temperature, and Vandal Proof for Outdoor Application



Product Specification

Camera	
Image sensor	1/2.5" 5 megapixel progressive scan CMOS
Lens	3.x - 9 mm moto lens, F1.2
SNR	48dB
WDR	Yes
Day/Night ICR	Yes
IR LED	Yes (15M)
Min illumination	0 Lux (IR LEDs on) 0.1 Lux @ F1.2 (Color)
Iris control	DC drive
Shutter time	1/2 ~ 1/100,000 s
Viewing angle	Diagonal: 148.4°~43.8° Horizontal: 121.2°~38.1° Vertical: 62.1°~21.3°
Camera angle adjustment	Pan 0° ~340° Tilt 30° ~90°
Pan/tilt/zoom functionalities	N/A
Video	
Video compression	H.264/MPEG-4/MJPEG
Resolution	Up to 2560 x 1920
Frame rate	14 fps at QSXGA (2560 x 1920) 21 fps at QXGA (2048 x 1536) 30 fps at 1080P (1920 x 1080) 30 fps at SXGA (1280 x 1024) 30 fps at 720P (1280 x 720) 30 fps at D1 (720 x 480) 30 fps at VGA (640 x 480) 30 fps at QVGA (320 x 240)
Video stream	Dual stream at H.264, MPEG-4, and MJPEG simultaneously
Bit rate	64K ~ 20Mbps, VBR, CBR, controller frame rate and quality
Video control	AGC (Auto Gain Control), AWB (Auto White Balance), AES (Auto Electronic Shutter), image adjustment
Intelligent video	Motion detection, tampering detection (blocked, redirected, defocused, or spray-painted)
Video jack	N/A

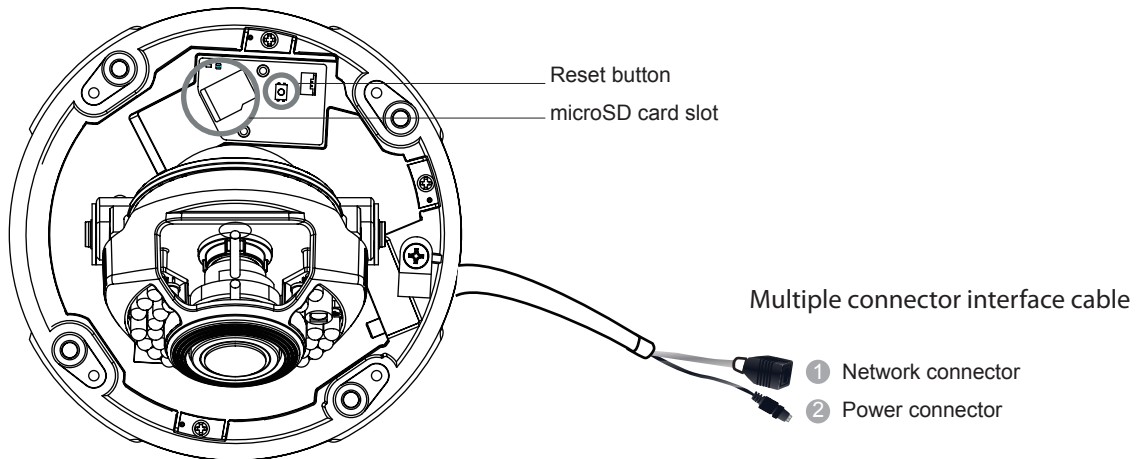
Audio	
Built-in MIC	N/A
Audio compression	32KHz, ADPCM
Audio input/output	3.5mm phone jack (optional)
I/O and Event Management	
Alarm in	1, terminal block (optional)
Alarm out	1, terminal block (optional)
Video buffer	5 second pre-alarm, 30 second post-alarm
Event action	Send snapshot or video clip by FTP or email, record to NAS, record to local storage, trigger DO
Network	
Supported Protocols	IPv4, ARP, TCP, UDP, ICMP, DHCP, NTP, DDNS, SMTP, FTP, HTTP, CIFS, PPPoE, UPnP, RTP, RTSP, RTCP, 3GPP, ONVIF
Ethernet	10/100 Base-T / RJ45
System	
Local storage	microSD/SDHC x 1 (Class 4/Class 6 only)
RS-485	N/A
USB	N/A
SDK	Surveon SDK 2.0
Viewing System	
OS	Microsoft Windows XP/Vista/7
Browser	Microsoft IE 6.0 or above
Software	Surveon VMS 2.4.8
General	
Temperature	Operation: -40°C ~ 50°C (-40°F ~ 122°F) Storage: -30°C ~ 60°C (-22°F ~ 140°F)
Humidity	5 to 90%
Power	12VDC 1.5A ; PoE (IEEE 802.3af) with Class 3
Power consumption	Max. 8W (w/o Heater) Max. 13W (w/ Heater)
Dimension	ø144mm x 116mm (H) ø5.67" x 4.57"(H)
Weight	Net: 1,260g (2.78lb.) Gross: 1,930g (4.27lb.)
Certification	Safety: LVD EMC: FCC, CE, GOST

* All specifications are subject to change without notice.
* All brand names and registered trademarks are the property of their respective owners.

CAM4571

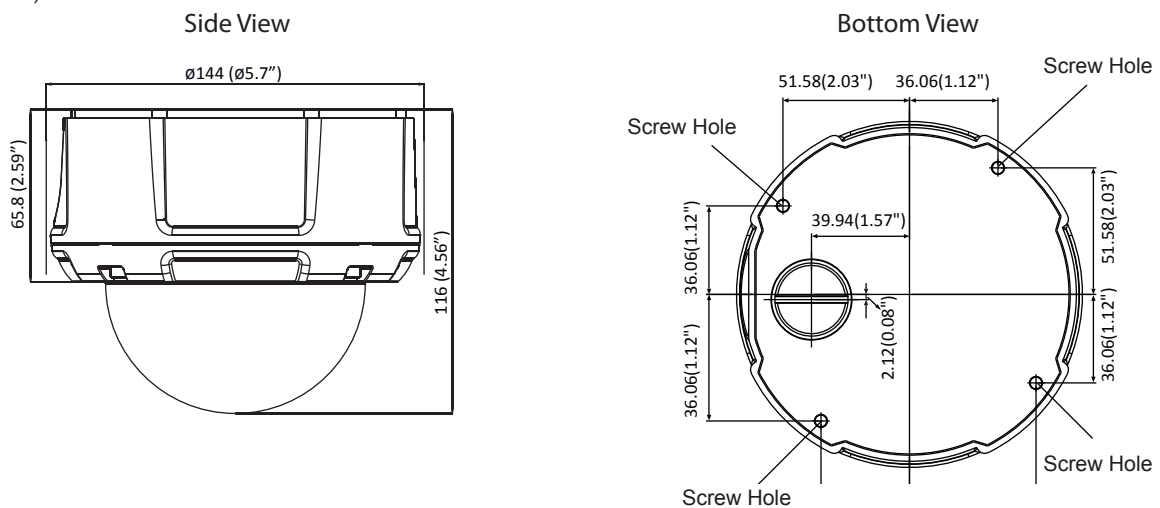
5 Megapixel Auto Focus Day&Night
Outdoor Fixed Dome Network

Part Names and Functions



Appearance

Unit:mm(inches)



Package Content

Contents	Quantity
Quick Installation Guide	1
Product DVD	1
CAM4571	1
Screw Hole Indicator Sticker	1
Anchors and Mounting Screws	4
L Type Hexagon Spanner	1

Ordering Information

Part Number	Description
CAM4571-0015	5 megapixel Auto Focus day&night outdoor fixed dome network camera with motor lens

Optional Accessories

Part Number	Description
ZPWR18W-0030	Power Adapter
ZBracketL-0050	L type bracket