

# CAM4371

## Full HD Auto Focus Day&Night Fixed Dome Network Camera



- 2 Megapixel SONY Exmor Sensor
- Up to 1920 x 1080 Video Resolution
- H.264/MPEG4/MJPEG 2 Simultaneous Video Streams
- Surveon Video Intelligent Ready
- PoE (IEEE 802.3af) and Day/Night ICR
- 3X Optical Zoom with Surveon Auto Focus
- Built in Advanced ISP (WDR, HLC, 3D NR, DEFOG)
- Built-in IR Illuminators, Effective Up to 20 Meters
- IP66, Wide Temperature, and Vandal Proof for Outdoor Application



### Product Specification

Camera	
Image sensor	1/2.8" 2 megapixel SONY Exmor CMOS
Lens	3 - 9 mm moto lens, F1.2
SNR	48dB
WDR	Yes
Day/Night ICR	Yes
IR LED	Yes (20M)
Min illumination	0.005 Lux @ F1.2 (B/W) 0.05 Lux @ F1.2 (Color)
Iris control	DC drive
Shutter time	1/30 ~ 1/50,000 s
Viewing angle	Diagonal: 148.4°~ 43.8° Horizontal: 121.2°~ 38.1° Vertical: 62.1° ~ 21.3°
Camera angle adjustment	Pan 0° ~340° Tilt 30° ~90°
Pan/tilt/zoom functionalities	N/A
Video	
Video compression	H.264/MPEG-4/MJPEG
Resolution	Up to 1920 x 1080
Frame rate	25 fps at 1080P (1920 x 1080) 30 fps at SXGA (1280 x 1024) 30 fps at HD720 (1280 x 720) 30 fps at D1 (720 x 480) 30 fps at VGA (640 x 480) 30 fps at QVGA (320 x 240)
Video stream	Dual stream at H.264, MPEG-4, and MJPEG simultaneously
Bit rate	64K ~ 10Mbps, VBR, CBR, controller frame rate and quality
Video control	AGC (Auto Gain Control), AWB (Auto White Balance), AES (Auto Electronic Shutter), BLC (Back Light Compensation), HLC (High Light Compensation), 3D Noise Reduction, DEFOG, image adjustment
Intelligent video	Motion detection, tampering detection (blocked, redirected, defocused, or spray-painted)
Video jack	N/A

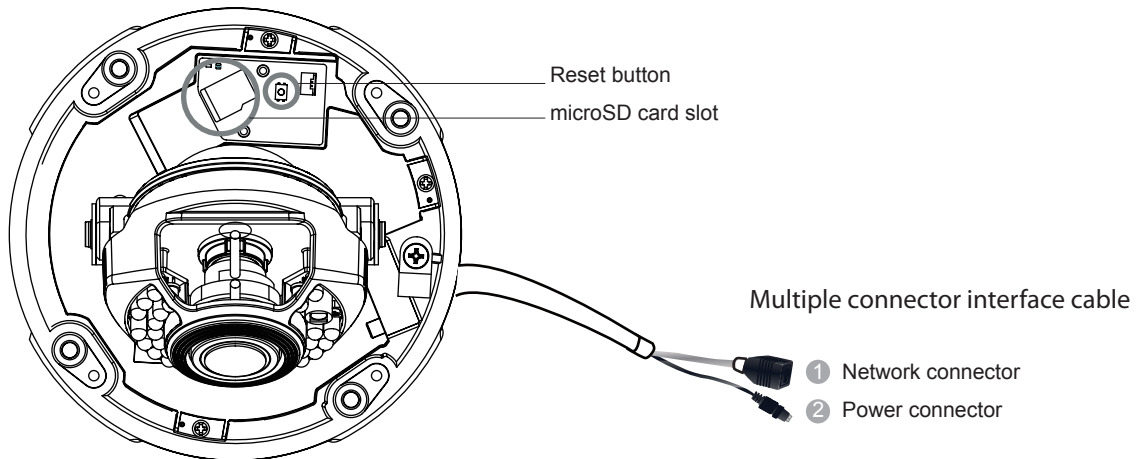
Audio	
Built-in MIC	N/A
Audio compression	32KHz, ADPCM
Audio input/output	Available upon request
I/O and Event Management	
Alarm in	Available upon request
Alarm out	Available upon request
Video buffer	5 second pre-alarm, 30 second post-alarm
Event action	Send snapshot or video clip by FTP or email, record to NAS, record to local storage, trigger DO
Network	
Supported Protocols	IPv4, ARP, TCP, UDP, ICMP, DHCP, NTP, DDNS, SMTP, FTP, HTTP, CIFS, PPPoE, UPnP, RTP, RTSP, RTCP, 3GPP, ONVIF
Ethernet	10/100 Base-T / RJ45
System	
Local storage	microSD/SDHC x 1 (Class 4/Class 6 only)
RS-485	N/A
USB	N/A
SDK	Surveon SDK 2.0
Viewing System	
OS	Microsoft Windows XP/Vista/7
Browser	Microsoft IE 6.0 or above
Software	Surveon VMS 2.4.7
General	
Temperature	Operation: -40°C~ 50°C (-40°F~122°F) Storage: -30°C ~ 60°C (-22°F~140°F)
Humidity	5 to 90%
Power	12VDC 1.5A ; PoE (IEEE 802.3af) with Class 3
Power consumption	Max. 8W (w/o Heater) Max. 13W (w/ Heater)
Dimension	ø144mm x 116mm (H) ø5.67" x 4.57"(H)
Weight	Net: 1,260g (2.78lb.) Gross: 1,930g (4.27lb.)
Certification	Safety: LVD EMC: FCC, CE, GOST, KCC

\* All specifications are subject to change without notice.  
\* All brand names and registered trademarks are the property of their respective owners.

# CAM4371

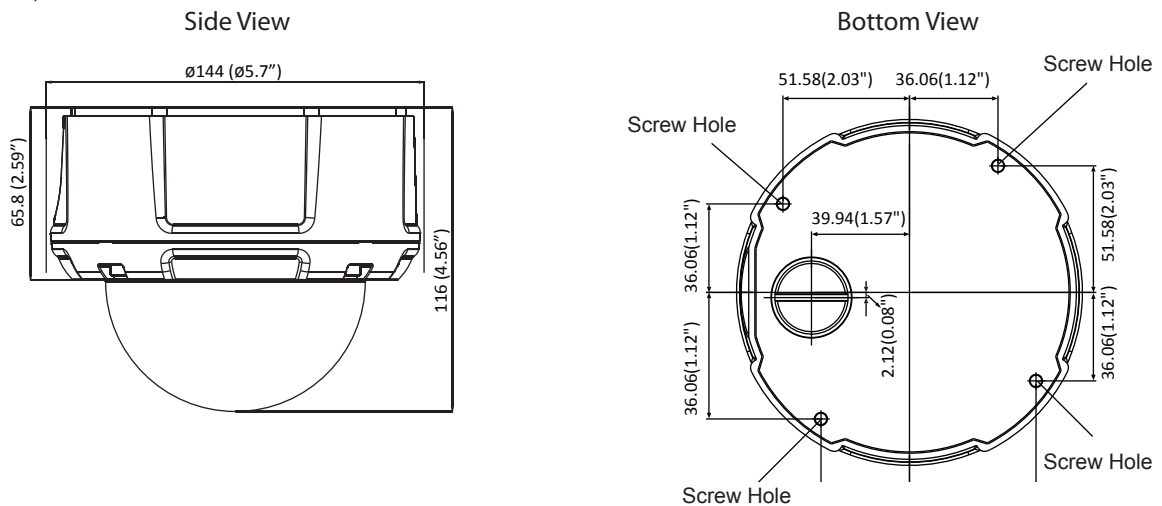
Full HD Auto Focus Day&Night Fixed Dome Network Camera

## Part Names and Functions



## Appearance

Unit:mm(inches)



## Package Content

Contents	Quantity
Quick Installation Guide	1
Product DVD	1
CAM4371	1
Screw Hole Indicator Sticker	1
Anchors and Mounting Screws	4
L Type Hexagon Spanner	1

## Ordering Information

Part Number	Description
CAM4371-0055	Full HD Auto Focus day&night outdoor fixed dome network camera with motorized lens

## Optional Accessories

Part Number	Description
ZPWR18W-0030	Power Adapter
ZBracketL-0050	L type bracket