

CAM4220

Megapixel Day&Night Fixed Dome Network Camera



- 1.3 Megapixel Progressive Scan CMOS Sensor
- Up to 1280 x 1024 Video Resolution
- H.264/MPEG4/MJPEG 2 Simultaneous Video Streams
- Motion Detection and Tampering Detection
- MicroSD/SDHC Local Storage for Alarm Capture
- Power over Ethernet (IEEE 802.3af)
- Day/Night Function with IR-Cut Filter
- Built-in IR Illuminators, Effective Up to 30 Meters



Product Specification

Camera	
Image Sensor	1/3" 1.3 megapixel progressive scan CMOS
Lens	2.8 - 11 mm varifocal lens, F1.4
WDR	N/A
Day/Night ICR	Yes
IR LED	Yes (30M)
Min Illumination	0 Lux (IR LEDs on)
Iris Control	N/A
Shutter Time	1/5 ~ 1/15,000 s
Viewing Angle	Diagonal: 122°~35° Horizontal: 96°~28° Vertical: 72°~21°
Camera Angle Adjustment	Pan 0° ~340° Tilt 30° ~90°
Pan/Tilt/Zoom Functionalities	N/A
Video	
Video Compression	H.264/MPEG-4/MJPEG
Resolution	Up to 1280 x 1024
Frame Rate	15 fps at SXGA (1280 x 1024) 15 fps at HD720 (1280 x 720) 30 fps at VGA (640 x 480) 30 fps at QVGA (320 x 240)
Video Stream	Dual stream at H.264, MPEG-4, and MJPEG simultaneously
Bit Rate	32K ~ 10Mbps, VBR, CBR, controller frame rate and quality
Video Control	AGC (Auto Gain Control), AWB (Auto White Balance), BLC (Back Light Compensation), Image adjustment
Intelligent Video	Motion detection, tampering detection (blocked, redirected, defocused, or spray-painted)
Video Jack	N/A
Audio	
Built-in MIC	Yes
Audio Compression	32KHz, ADPCM
Audio Input/Output	3.5mm phone jack

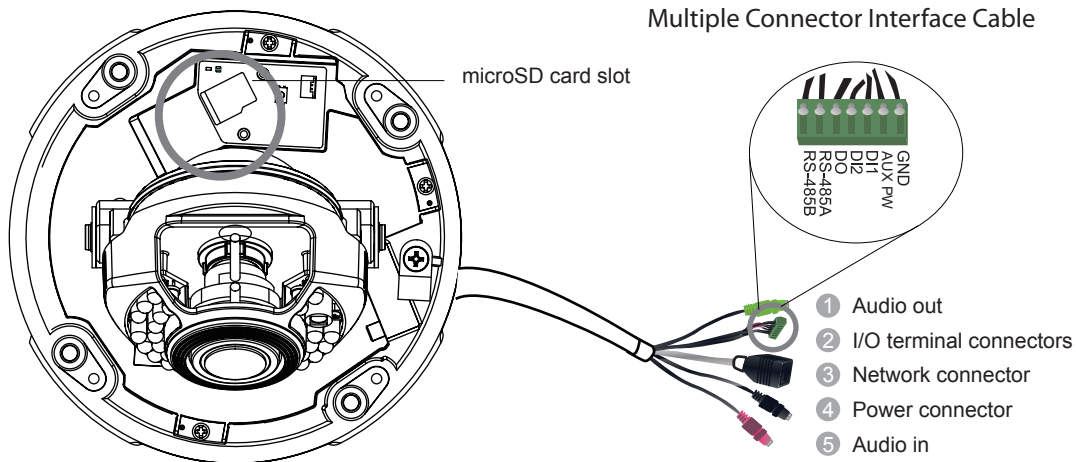
I/O and Event Management	
Alarm In	2, terminal block
Alarm Out	1, terminal block
Video Buffer	5 second pre-alarm, 30 second post-alarm
Event Action	Send snapshot or video clip by FTP or email, record to NAS, record to local storage, trigger DO
Network	
Supported Protocols	IPv4, ARP, TCP, UDP, ICMP, DHCP, NTP, DDNS, SMTP, FTP, HTTP, CIFS, PPPoE, UPnP, RTP, RTSP, RTCP, 3GPP
Ethernet	10/100 Base-T / RJ45
System	
Local Storage	microSD/SDHC x 1 (Class 4/Class 6 only)
RS-485	1 (2 pin on terminal block)
USB	N/A
SDK	Surveon SDK 2.0
Viewing System	
OS	Microsoft Windows XP/Vista/7
Browser	Microsoft IE 6.0 or above
Software	Surveon VMS 2.4
General	
Temperature	Operation: -10°C ~ 50°C (14°F ~ 122°F) Storage: -30°C ~ 60°C (-22°F ~ 140°F)
Humidity	5 to 90%
Power	12VDC 1.5A ; PoE (IEEE 802.3af) with Class 3
Power Consumption	Max. 7.5W
Dimension	ø128.8mm x 98.6mm(H) ø5.07" x 3.88"(H)
Weight	Net: 620g (1.37lb.) Gross: 1290g (2.85lb.)
Certification	Safety: LVD EMC: FCC, CE

* All specifications are subject to change without notice.
* All brand names and registered trademarks are the property of their respective owners.

CAM4220

Megapixel Day&Night Fixed Dome Network Camera

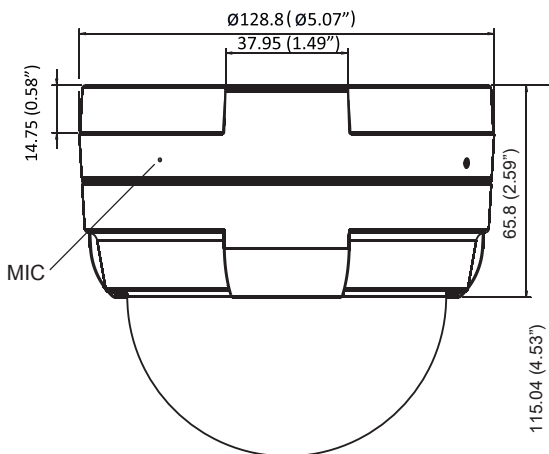
Part Names and Functions



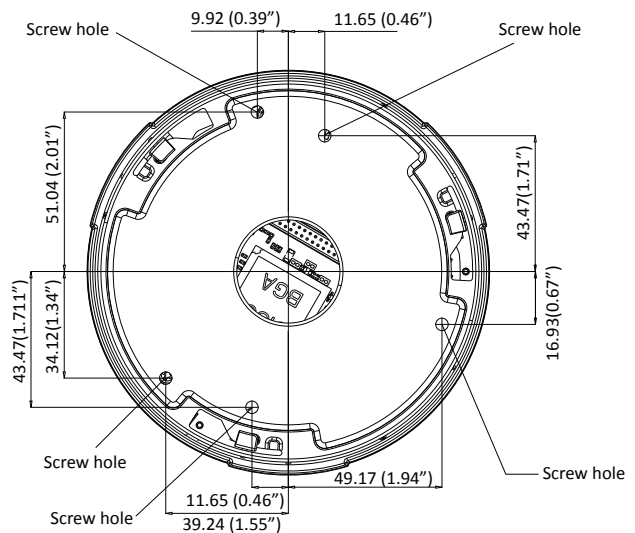
Appearance

Unit:mm(inches)

Side View



Bottom View



Package Content

Contents	Quantity
Quick Installation Guide	1
Product DVD	1
CAM4220	1
Screw Hole Indicator Sticker	1
Anchors and Mounting Screws	3

Ordering Information

Part Number	Description
CAM4220-0055	Megapixel day&night fixed dome network camera with varifocal lens

Optional Accessories

Part Number	Description
ZBracketL-0050	L type bracket
ZPWR18W-0030	Power Adapter
CAM4220-0050	CAM4220 with Power Adapter