

CAM3361

Full HD WDR Day&Night Bullet Network Camera



- Full HD & Real Time Network Camera
- Up to 1920 x 1080 Video Resolution
- H.264/MPEG4/MJPEG 2 Simultaneous Video Streams
- Surveon Video Intelligent Ready
- MicroSD/SDHC Local Storage for Alarm Capture
- PoE (IEEE 802.3af) and Day/Night ICR
- Built in Advanced ISP (WDR, HLC, 3D NR, Defog)
- Built-in IR Illuminators, Effective Up to 20 Meters
- IP66 and Wide Temperature for Outdoor Application



Product Specification

Camera	
Image sensor	1/2.7" 2 megapixel progressive scan CMOS
Lens	3.3 - 12 mm varifocal lens, F1.4
SNR	48dB
WDR	Yes
Day/Night ICR	Yes
IR LED	Yes (20M)
Min illumination	0.01 Lux @ F1.2 (B/W) 0.1 Lux @ F1.2 (Color)
Iris control	DC drive
Shutter time	1/30 ~ 1/50,000 s
Viewing angle	Diagonal: 99°~37.3° Horizontal: 79.3°~29.8° Vertical: 59.5°~22.4°
Camera angle adjustment	N/A
Pan/tilt/zoom functionalities	N/A
Video	
Video compression	H.264/MPEG-4/MJPEG
Resolution	Up to 1920 x 1080
Frame rate	25 fps at 1080P (1920 x 1080) 30 fps at SXGA (1280 x 1024) 30 fps at HD720 (1280 x 720) 30 fps at D1 (720 x 480) 30 fps at VGA (640 x 480) 30 fps at QVGA (320 x 240)
Video stream	Dual stream at H.264, MPEG-4, and MJPEG simultaneously
Bit rate	64K ~ 10Mbps, VBR, CBR, controller frame rate and quality
Video control	AGC (Auto Gain Control), AWB (Auto White Balance), AES (Auto Electronic Shutter), BLC (Back Light Compensation), HLC (High Light Compensation), 3D Noise Reduction, DEFOG, image adjustment
Intelligent video	Motion detection, tampering detection (blocked, redirected, defocused, or spray-painted)
Video jack	Yes (BNC)

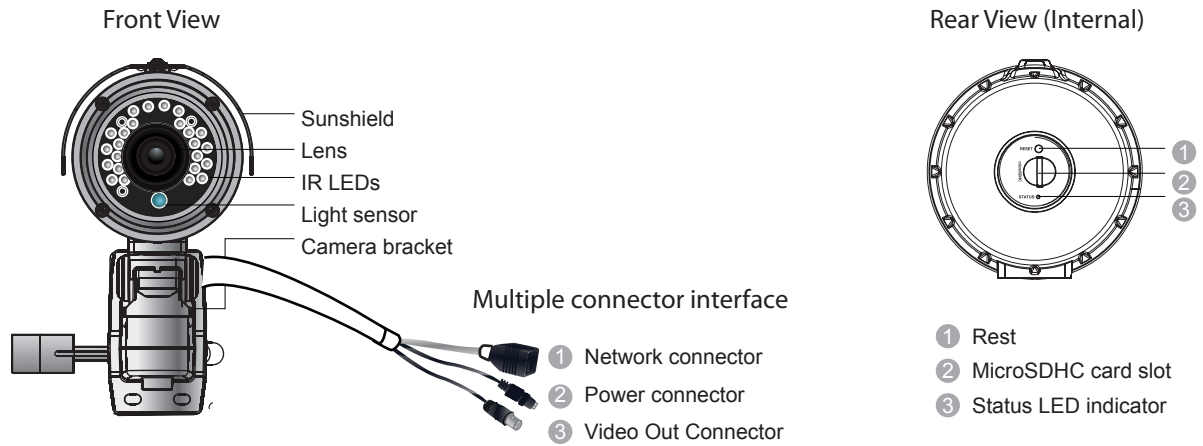
Audio	
Built-in MIC	N/A
Audio compression	32KHz, ADPCM
Audio input/output	3.5mm phone jack (optional)
I/O and Event Management	
Alarm in	1, terminal block (optional)
Alarm out	1, terminal block (optional)
Video buffer	5 second pre-alarm, 30 second post-alarm
Event action	Send snapshot or video clip by FTP or email, record to NAS, record to local storage, trigger DO
Network	
Supported Protocols	IPv4, ARP, TCP, UDP, ICMP, DHCP, NTP, DDNS, SMTP, FTP, HTTP, CIFS, PPPoE, UPnP, RTP, RTSP, RTCP, 3GPP, ONVIF
Ethernet	10/100 Base-T / RJ45
System	
Local storage	microSD/SDHC x 1 (Class 4/Class 6 only)
RS-485	N/A
USB	N/A
SDK	Surveon SDK 2.0
Viewing System	
OS	Microsoft Windows XP/Vista/7
Browser	Microsoft IE 6.0 or above
Software	Surveon VMS 2.4.7
General	
Temperature	Operation: -40°C ~ 50°C (-40°F ~ 122°F) Storage: -30°C ~ 60°C (-22°F ~ 140°F)
Humidity	5 to 90%
Power	12VDC 1.5A ; PoE (IEEE 802.3af) with Class 3
Power consumption	Max. 8W (w/o Heater) Max. 13W (w/ Heater)
Dimension	105mm x 218.8mm x 191.41mm (3.44" x 7.18" x 6.28")
Weight	Net:1,400g (3.09lb.) Gross:2,170g (4.8lb.)
Certification	Safety: LVD EMC: FCC, CE, GOST, KCC

* All specifications are subject to change without notice.
* All brand names and registered trademarks are the property of their respective owners.

CAM3361

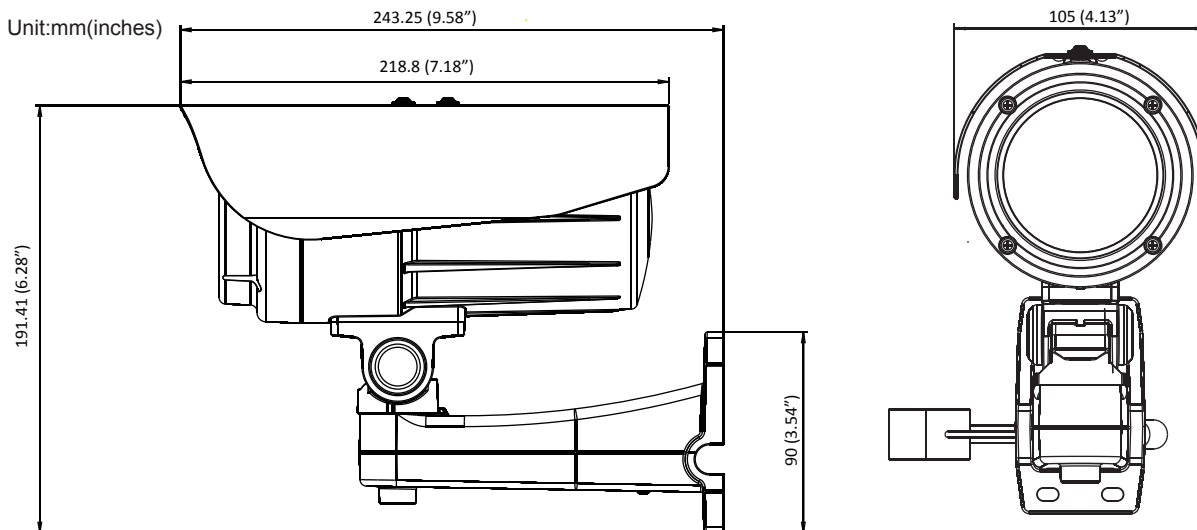
Full HD WDR Day&Night Bullet Network Camera

Part Names and Functions



Network Camera

Appearance



Package Content

Contents	Quantity
Quick Installation Guide	1
Product DVD	1
CAM3361	1
Camera Bracket	1
Screw Hole Indicator Sticker	1
Anchors and Mounting Screws	4
L Type Hexagon Spanner	1

Ordering Information

Part Number	Description
CAM3361-0055	Full HD WDR day&night outdoor bullet network camera with varifocal lens

Optional Accessories

Part Number	Description
ZPWR18W-0030	Power Adapter