

CAM2400

Megapixel CCD H.264 Day&Night Network Camera



- 1.25 Megapixel Progressive Scan SONY CCD Sensor
- Up to 1280 x 960 Video Resolution
- H.264/MPEG4/MJPEG 2 Simultaneous Video Streams
- Motion Detection and Tampering Detection
- Dual microSD/SDHC Local Storage for Alarm Capture
- Power over Ethernet (IEEE 802.3af)
- Day/Night Function with IR-Cut Filter



Product Specification

Camera	
Image Sensor	1/3" 1.25 megapixel SONY Exview HAD CCD
Lens	Changeable (CS/C mount)
WDR	N/A
Day/Night ICR	Yes
IR LED	N/A
Min Illumination	0.5 Lux @ F1.0, 2856°K
Iris Control	DC drive
Shutter time	1/60 ~ 1/100,000 s
Viewing Angle	N/A
Camera Angle Adjustment	N/A
Pan/Tilt/Zoom Functionalities	N/A
Video	
Video Compression	H.264/MPEG-4/MJPEG
Resolution	Up to 1280 x 960
Frame Rate	15 fps at SXGA (1280 x 960), 30 fps at HD720 (1280 x 720), 30 fps at VGA (640 x 480), 30 fps at QVGA (320 x 240)
Video Stream	Dual stream at H.264, MPEG-4, and MJPEG simultaneously
Bit Rate	32K ~ 10Mbps, VBR, CBR, controller frame rate and quality
Video Control	AGC (Auto Gain Control), AWB (Auto White Balance), AES (Auto Electronic Shutter), BLC (Back Light Compensation), image adjustment
Intelligent Video	Motion detection, tampering detection (blocked, redirected, defocused, or spray-painted)
Video Jack	N/A
Audio	
Built-in MIC	Yes
Audio Compression	32KHz, ADPCM
Audio Input/Output	3.5mm phone jack
I/O and Event Management	

Alarm In	2, terminal block
Alarm Out	1, terminal block
Video Buffer	5 second pre-alarm, 30 second post-alarm
Event Action	Send snapshot or video clip by FTP or email, record to NAS, record to local storage, trigger DO
Network	
Supported Protocols	IPv4, ARP, TCP, UDP, ICMP, DHCP, NTP, DDNS, SMTP, FTP, HTTP, CIFS, PPPoE, UPnP, RTP, RTSP, RTCP, 3GPP
Ethernet	10/100 Base-T / RJ45
System	
Local Storage	microSD/SDHC x 2 (Class 4/Class 6 only)
RS-485	1 (2 pin on terminal block)
USB	N/A
SDK	Surveon SDK 2.0
Viewing System	
OS	Microsoft Windows XP/Vista/7
Browser	Microsoft IE 6.0 or above
Software	Surveon VMS 2.4
General	
Temperature	Operation: -10°C ~ 50°C (14°F~122°F) Storage: -30°C ~ 60°C (-22°F~140°F)
Humidity	5 to 90%
Power	12VDC 1.5A PoE (IEEE 802.3af) with Class 3
Power Consumption	Max. 7W without AUX PW
Dimension	74.95mm x 59.3mm x 153.5mm (2.95" x 2.34" x 6.04")
Weight	Net: 435g (0.96 lb) Gross: 1085g (2.4 lb)
Certification	Safety: LVD EMC: FCC, CE

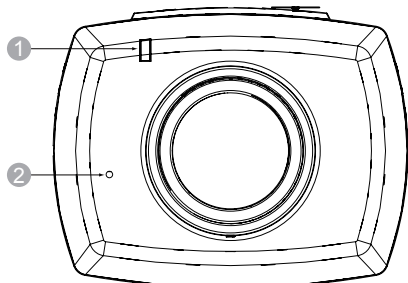
* All specifications are subject to change without notice.
* All brand names and registered trademarks are the property of their respective owners.

CAM2400

Megapixel CCD H.264 Day&Night Network Camera

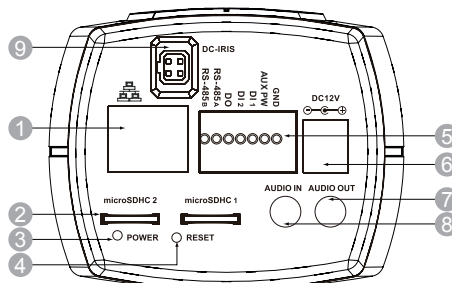
Part Names and Functions

Front View



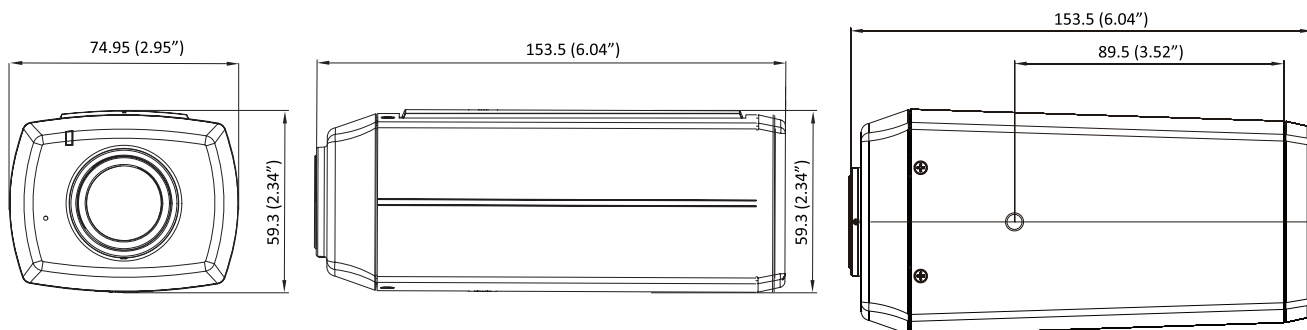
- 1 Status LED indicator
- 2 Microphone

Rear View



- 1 Network connector
- 2 microSDHC slots
- 3 Power indicator
- 4 Reset button
- 5 I/O terminal connectors
- 6 Power connector
- 7 Audio out
- 8 Audio in
- 9 DC-Iris connector

Appearance



Package Content

Contents	Quantity
Quick Installation Guide	1
Product DVD	1
CAM2400	1
Camera Stand	1
CS Ring	1
L Type Hexagon Spanner	1

Ordering Information

Part Number	Description
CAM2400-0050	1.25 megapixel SONY EXviewHAD CCD network camera w/o lens

Optional Accessories

Part Number	Description
ZBracketS-0050	Camera Stand
CAM2400-0050	CAM2400 with Power Adapter

Lens Options

Part Number	Description
YB0LL07K01G0	4.5~10 mm/F1.6, DC-iris, CS mount, 1/2"
YB0LL07K02G0	8~16 mm/F1.6, DC-iris, CS mount, 1/2"