

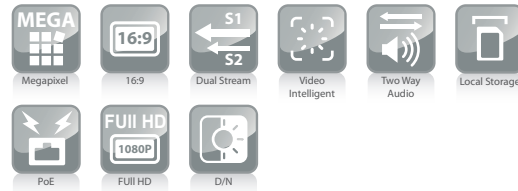
# CAM2301

## Full HD H.264 Day&Night Network Camera



\* The lens needs to be purchased separately.

- Full HD & Real Time Network Camera
- Up to 1920 x 1080 Video Resolution
- H.264/MPEG4/MJPEG 2 Simultaneous Video Streams
- Surveon Video Intelligent Ready
- MicroSD/SDHC Local Storage for Alarm Capture
- Power over Ethernet (IEEE 802.3af)
- Support DC Iris & Day/Night IR-Cut Filter



### Product Specification

Camera	
Image Sensor	1/2.7" 2 megapixel progressive scan CMOS
Lens	Changeable (CS/C mount)
WDR	Yes (70 dB)
Day/Night ICR	Yes
IR LED	N/A
Min Illumination	0.1 Lux @ F1.2
Iris Control	DC drive
Shutter time	1/5 ~ 1/15,000 s
Viewing Angle	N/A
Camera Angle Adjustment	N/A
Pan/Tilt/Zoom Functionalities	N/A
Video	
Video Compression	H.264/MPEG-4/MJPEG
Resolution	Up to 1920 x 1080
Frame Rate	25 fps at 1080P (1920 x 1080), 30 fps at SXGA (1280 x 1024), 30 fps at HD720 (1280 x 720), 30 fps at VGA (640 x 480), 30 fps at QVGA (320 x 240)
Video Stream	Dual stream at H.264, MPEG-4, and MJPEG simultaneously
Bit Rate	32K ~ 10Mbps, VBR, CBR, controller frame rate and quality
Video Control	AGC (Auto Gain Control), AWB (Auto White Balance), BLC (Back Light Compensation), image adjustment
Surveon Video Intelligent	Motion detection, tampering detection (blocked, redirected, defocused, or spray-painted), missing object, foreign object, intrusion detection, forbidden area
Video Jack	N/A
Audio	
Built-in MIC	N/A
Audio Compression	32KHz, ADPCM

Audio Input/ Output 3.5mm phone jack

I/O and Event Management	
Alarm In	2, terminal block
Alarm Out	1, terminal block
Video Buffer	5 second pre-alarm, 30 second post-alarm
Event Action	Send snapshot or video clip by FTP or email, record to NAS, record to local storage, trigger DO

Network	
Supported Protocols	IPv4, ARP, TCP, UDP, ICMP, DHCP, NTP, DDNS, SMTP, FTP, HTTP, CIFS, PPPoE, UPnP, RTP, RTSP, RTCP, 3GPP
Ethernet	10/100 Base-T / RJ45

System	
Local Storage	microSD/SDHC x 2 (Class 4/Class 6 only)
RS-485	1 (2 pin on terminal block)
USB	N/A
SDK	Surveon SDK 2.0

Viewing System	
OS	Microsoft Windows XP/Vista/7
Browser	Microsoft IE 6.0 or above
Software	VMS 2.4.1

General	
Temperature	Operation: -10°C ~ 50°C (14°F ~ 122°F) Storage: -30°C ~ 60°C (-22°F ~ 140°F)
Humidity	5 to 90%
Power	12VDC 1.5A PoE (IEEE 802.3af) with Class 3
Power Consumption	Max. 7W
Dimension	74.95mm x 59.3mm x 153.5mm (2.95" x 2.34" x 6.04")
Weight	Net: 435g (0.96 lb) Gross: 1085g (2.4 lb)
Certification	Safety: LVD EMC: FCC, CE

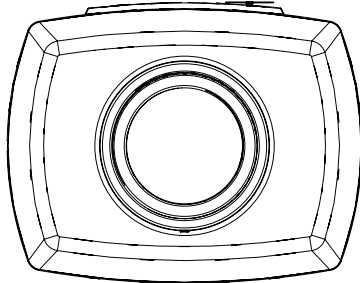
\* All specifications are subject to change without notice.  
\* All brand names and registered trademarks are the property of their respective owners.

# CAM2301

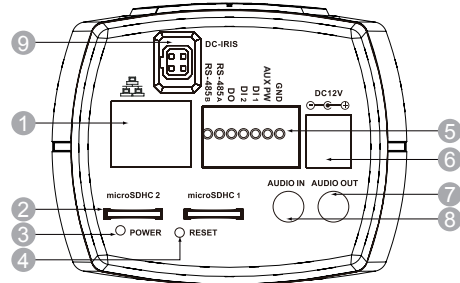
Full HD H.264 Day&Night  
Network Camera

## Part Names and Functions

Front View



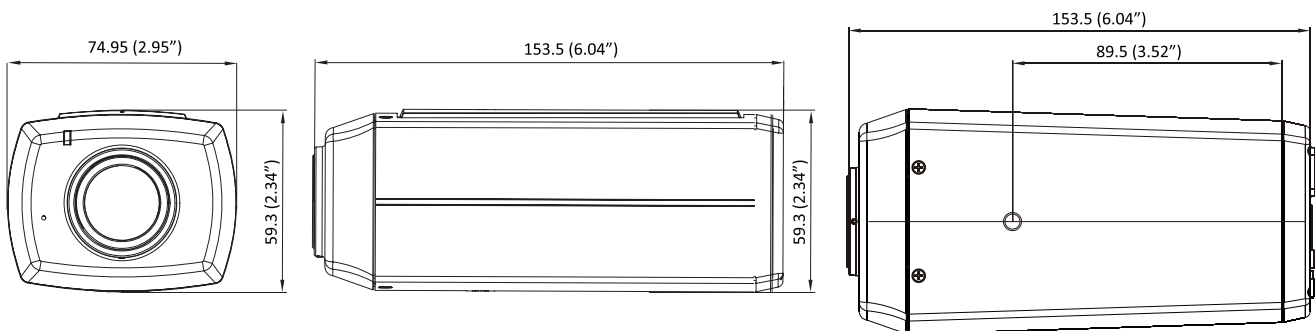
Rear View



- ① Network connector
- ② microSDHC slots
- ③ Power indicator
- ④ Reset button
- ⑤ I/O terminal connectors
- ⑥ Power connector
- ⑦ Audio out
- ⑧ Audio in
- ⑨ DC-Iris connector

## Appearance

Unit:mm(inches)



## Package Content

Contents	Quantity
Quick Installation Guide	1
Product DVD	1
CAM2301	1
Camera Stand	1
Decoration Ring	1
L Type Hexagon Spanner	1

## Ordering Information

Part Number	Description
CAM2301-0055	Full HD H.264 day&night network camera w/o lens

## Lens Options

Part Number	Description
YBOLL07K01G0	4.5~10 mm/F1.6, DC-iris, CS mount, 1/2"
YBOLL07K02G0	8~16 mm/F1.6, DC-iris, CS mount, 1/2"
YBOLAE8Z01G0	3~8 mm/F1.0, DC-iris, CS mount, 1/3"

## Optional Accessories

Part Number	Description
ZPWR18W-0030	Power Adapter