

VANDAL RESISTANT DOOR ENTRY KIT

INCLUDED IN THE KIT

THE DOOR ENTRY PANEL

Choice of stainless steel (BS316) panels from 1 button to 10 button. These flush mounting door entry panel have hinged front plate, terminal strip to simplify the button connections and built in speaker unit. The front plate is secured to the back box with 4 x SRS stainless steel tamper resistant screws. Engraving 1 - 10 only.

TELEPHONES

The AN7320 telephones are high quality units with electret microphone and three normally open push buttons (one marked with a key symbol for electric lock release).

POWER SUPPLY (9007)

Voltage output

12v dc (1 Amp)

12v ac (1 Amp)

Voltage input

240v ac (50hz)

Lock release relay

1 - 60 second timer -
changeover relay

Call signal

Tone call or 12v ac buzzer call

ACCESSORIES - NOT INCLUDED IN KIT

Special Engraving

Cable CW1308 (4 pair)

Lock release 12v ac / dc
Fail locked / open)

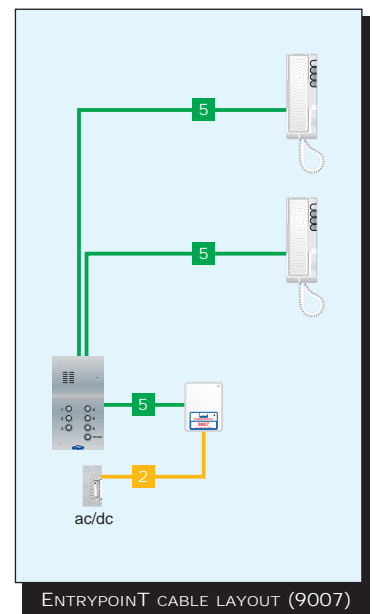
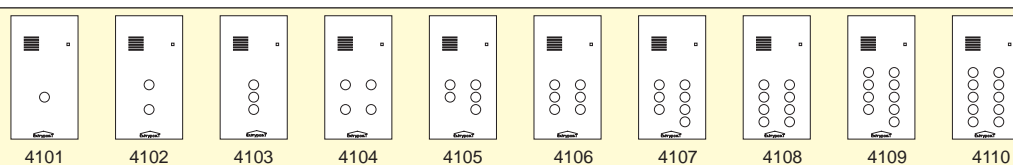
Hood (or frame) for Entrypoint
panel

KITS

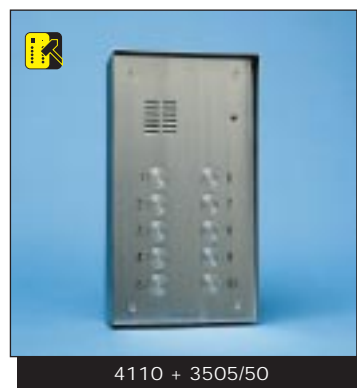
K4101	1 way
K4102	2 way
K4103	3 way
K4104	4 way
K4105	5 way
K4106	6 way
K4107	7 way
K4108	8 way
K4109	9 way
K4110	10 way

ENTRYPPOINT PANEL DIMENSIONS AND ACCESSORIES

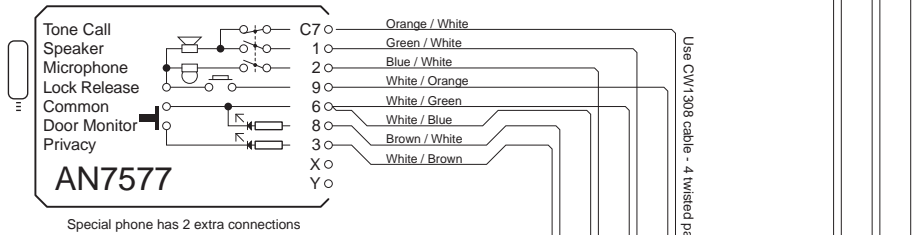
No of Buttons	Front plate (H x W)	Back box (H x W x D)	Back box	Hardwood Frame	Flush Hood	Surface Hood
1 - 3	250x136	230x116x33	1002	3501	3505/00	3505/50
4 - 10	250x136	230x116x50	1003	3501/50	3505/00	3505/50



4107



4110 + 3505/50



Cable requirements :

Make connections as per diagram in order to avoid interference.

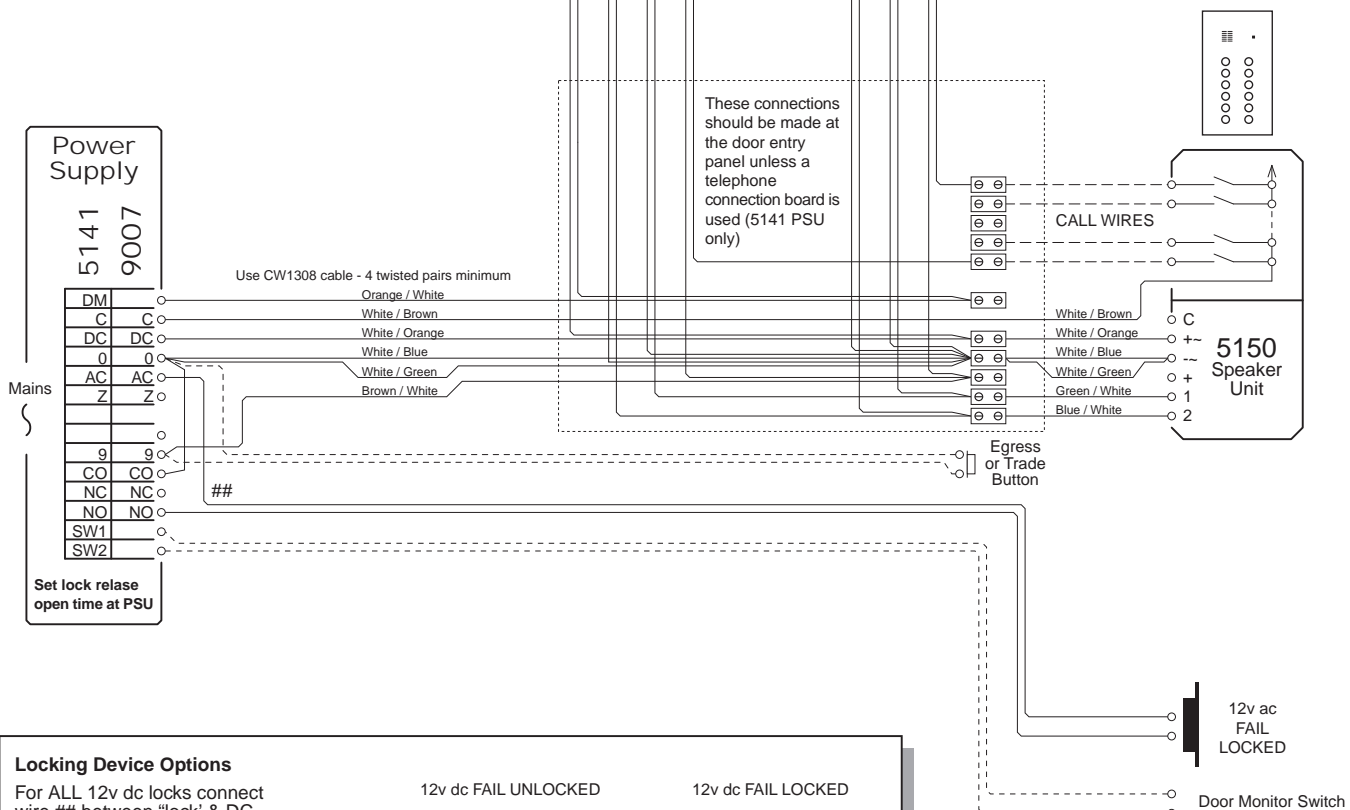
If the length of the cable from the 9007 terminal C (the call common) is to exceed 10m then this wire should not be run in the same sheath as any audio wires (connections 1 & 2). This is to avoid a low audio tone being heard at the handset.

Ref	Wire Function	Distance (m)			
		50	100	200	300
1	Loudspeaker	0.3	0.5	0.8	1.6
2	Microphone	0.3	0.5	0.8	1.6
6	Common -ve	0.5	0.8	1.0	1.6
9	Lock release	0.5	0.8	1.0	1.6
11	Call buzzer	0.3	0.5	0.8	1.6

Cross sectional area of conductors mm²

Telephone Cross Reference

Function	AN0002	AN7320	AN1000	AN7577	70051	70055
Tone Call	C7	C7	C7	C7	11	11
Buzzer Call	11	11	11			
Speaker	1	1	1	1	1	1
Microphone	2	2	2	2	2	2
Lock Release	9	9	9	9	9	9
Common	6	6	6	6	6	6
Privacy LED	3	3	3	3	3	3
Door Monitor	8	8	8	8	8	8
Switch 1	Au	Au	Au			
Switch 1	Au	Au	Au			
Switch 2		Q1				
Switch 2		Q1				



Locking Device Options

For ALL 12v dc locks connect wire ## between 'lock' & DC.

For FAIL LOCKED use NO
For FAIL UNLOCKED use NC

12v dc FAIL UNLOCKED	12v dc FAIL LOCKED
9007 DC ————	9007 DC ————
9007 NC ————	9007 NO ————

ALWAYS FIT A LOCK SUPPRESSOR