

ENTRYPOINT VIDEO

RELIABLE VIDEO ACCESS CONTROL

"The professionals choice"

KEY ENTRY PANEL FEATURES:

- MINIATURE CCD CAMERA
- FLUSH OR SURFACE
- ONLY 50MM DEEP
- VANDAL RESISTANT

KEY VIDEO-PHONE FEATURES:

- SURFACE FITTING
- MODULAR
- SPARE BUTTONS
- COLOUR OPTION

ENTRYPOINT VIDEO

Reliable Video Access Control



BRASS OR STAINLESS STEEL



RELIABLE VIDEO ACCESS CONTROL

ENTRYPOINT VIDEO

SRS, the access control specialists, manufacture a wide range of single and multiple user door entry systems suitable for both domestic and commercial use. Audio and video options allow you to choose the system that best suits your particular needs.

“SRS build in features that score heavily over other video entry systems.”

Choice is a feature of SRS systems - our wide range of panel styles and finishes ensures that the installation looks good in every entrance, whatever its style and decor.

The choice of entry panels includes polished brass, brilliant white and stainless steel, all available either flush or surface fixing. The entry panels are also available in either standard (known as Slimline) or vandal resistant (known as EntrypoinT) finish, all have anti tamper screws. The SRS video panels are only 50mm deep. Both panels are therefore slim enough for surface fitting, if required, by adding a surface frame. SRS video panels have a built in CCD camera with infra red illumination for

clear visibility even in poor lighting conditions.

All SRS entrance panels incorporate the advanced SRS-manufactured amplifier / speaker unit, which because of its versatility and high quality, has become widely used as the service unit for many makes of door entry system.

“Record visitor image when you’re out” The addition of the memory module enables the image to be captured. Your SRS video entry system can record up to 8 visitors, whether you are in or not.

Using SRS equipment is the ultimate answer to high security video entry control.

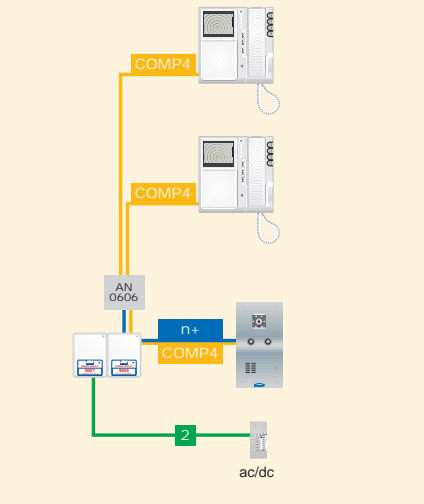
QUALITY AND RELIABILITY

SRS can provide your system with multiple entrance facility, with intercom between the telephones and just about any feature you can imagine. We can provide you with all this, without compromising the quality of the system. When you buy SRS equipment peace of mind is yours...

A SERIES OF OPTIONS ALLOW EVEN GREATER FLEXIBILITY. YOU CAN CHOOSE...

- CODED ACCESS - ENTERING A CODE INTO A KEYPAD UNLOCKS THE DOOR
- PROXIMITY TOKEN ACCESS - OFFERING UP A VALID TOKEN TO THE READER UNLOCKS THE DOOR
- TIME CLOCK - PRESSING A SPECIAL BUTTON ON THE ENTRANCE PANEL UNLOCKS THE DOOR DURING A PRESET TIME PERIOD (FOR TRADESMEN ETC)
- MEMORY MODULE - FOR STORING THE PICTURE OF RECENT CALLERS
- CCTV MODE - MONITOR CAN BE USED FOR CCTV SURVEILLANCE. CAMERA CAN BE PERMANENTLY ON.

DIMENSIONS	H mm	W mm	D mm
1 - 4 button panel	250	136	50
1 - 28 button panel <i>larger panels available</i>	321	181	50
Universal monitor	222	213	73



For further information please contact :

“SRS supply products which don’t come back to customers who do! ”