

VANDAL RESISTANT DOOR ENTRY KIT

INCLUDED IN THE KIT

THE DOOR ENTRY PANEL

Choice of stainless steel (BS316) panels from 1 button to 10 button. These flush mounting door entry panel have hinged front plate, terminal strip to simplify the button connections and built in speaker unit. The front plate is secured to the back box with 4 x SRS stainless steel tamper resistant screws. Panels are not engraved.

The keypad has 40 x 4 digit codes and is user programmable. The keypad is not vandal resistant.

TELEPHONES

The AN7320 telephones are high quality units with electret microphone and three normally open push buttons (one marked with a key symbol for electric lock release).

POWER SUPPLY (9007)

Voltage output

12v dc (1 Amp)

12v ac (1 Amp)

Voltage input

240v ac (50hz)

Lock release relay

1 - 60 second timer -
changeover relay

Call signal

Tone call or 12v ac buzzer call

ACCESSORIES - NOT INCLUDED IN KIT

Special Engraving

Cable CW1308 (4 pair)

Lock release 12v ac / dc

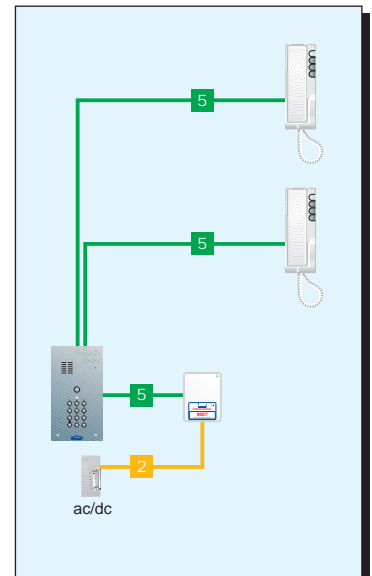
Fail locked / open)

Hood (or frame) for Entrypoint
panel

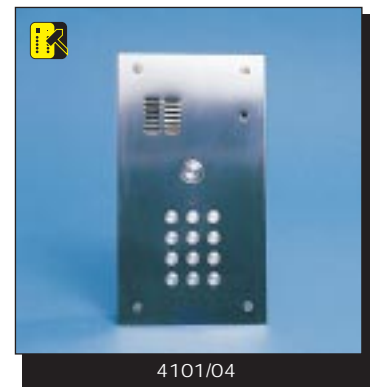
KITS

K4101/04 1 way

K4102/04 2 way



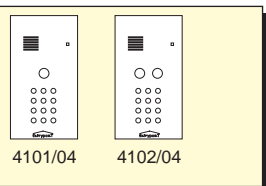
ENTRYPPOINT CABLE LAYOUT (9007)



4101/04

ENTRYPPOINT PANEL DIMENSIONS AND ACCESSORIES

No of Buttons	Front plate (H x W)	Back box (H x W x D)	Back box	Hardwood Frame	Flush Hood	Surface Hood
1 - 2	250x136	230x116x33	1002	3501	3505/00	3505/50



Connecting DC30M to door entry 4D DC30M

Note:
Set the lock time on DC30M to 1 second.

The lock release is connected to and operating time is set by the 9007 power supply.

