

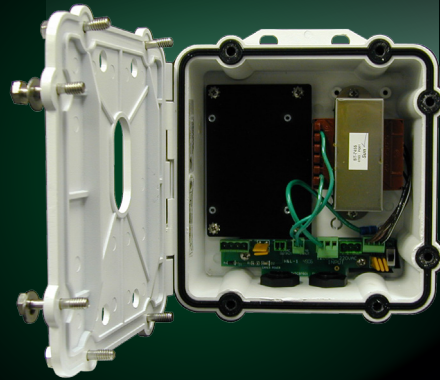
UNI-PBU1

Security Housing Power Block

SONY
make.believe

Power Block

The UNI-PBU1 power block unit is a UL approved, outdoor rated power supply that is enclosed in a rugged, vandal resistant aluminum enclosure. It offers conversion from 220/110VAC to 24VAC (4 Amps) to power the camera, heater(s) and blower(s). Footprint on the hinged door fits the gooseneck mounts like the UNI-WMB1, or the supplied gooseneck mounts for the UNI-MDB1/2/3.



KEY FEATURES

- The UNI-WMB1 wall mount and the UNI-MDB1, UNI-MDB2 and UNI-MDB3 pendant adapter kits mount directly to the hinged door.
- Rugged, cast aluminum outdoor NEMA 4 enclosure.
- Accepts 110VAC or 220VAC input converting to 24VAC and 96W output to power camera, heater and blower.
- Meets IP66 standards to prevent the induction of minute particles.
- Designed for direct conduit connections.
- Fused output.
- Hinged door for easy access.
- UL approved electrical device.
- Suitable for surface wall mount, or pole mount applications - Pole mount clips are included.

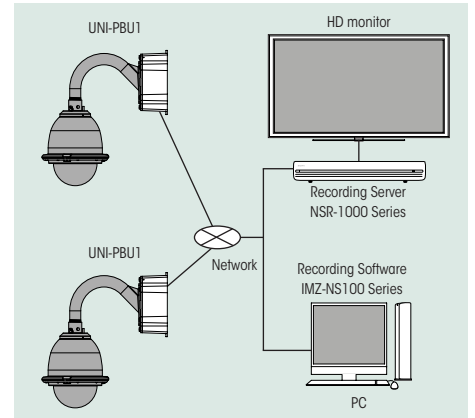
BID SPECIFICATIONS

- The Power Block unit shall be a Sony model UNI-PBU1. The enclosure shall be made of cast aluminum and designed to meet or exceed IP66 and NEMA 4. The power supply shall have 2 separate power outputs at 24V. It shall be designed for either 110VAC or 220VAC input single phase. A single 3 position connector board shall be provided with each unit and clearly marked for Line, Neutral and Ground Wires (L, N, GND) to be plugged into the connector plug of the corresponding voltage. The unit shall have a fuse protected output. The Power Block shall provide 52 watts for Heater/Blower power and 32 watts for camera power. The door shall provide mounting points for the Sony UNI-WMB1 wall mount and the UNI-MDB1/2/3 while being hinged for easy service access.

SPECIFICATIONS

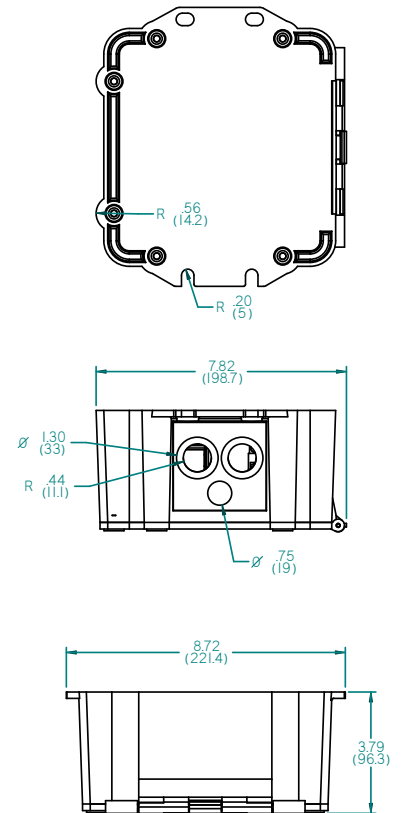
UNI-PBU1		
Mechanical		
Size (H x W x D)	8.75 x 7.5 x 3.81 inches (222 x 191 x 97mm)	
Weight	10 lbs. (4.54 kg)	
Construction Body	Rugged cast aluminum	
Cable Entry	Two conduit openings located on the bottom of the box	
Environmental		
Operating temperature	-40°F to 122°F (-40°C to 50°C)	
Electrical		
Power Input	120VAC or 240VAC, 50/60 Hz	
Power Output	96va (96 watts)	
Power Consumption	1 Amp (120 watts) at 120VAC	
Camera Power	32 watts	
Heater/Blower Power	52 watts	
Shipping		
	Weight	Shipping box dimensions
UNI-PBU1	10.5 lbs. (4.8 kg)	8 x 12 x 12 inches (203 x 305 x 305mm)

SYSTEM CONFIGURATIONS



DIMENSIONS

Unit: inches (mm)



© 2011 Sony Electronics Inc. All rights reserved.
 Reproduction in whole or in part without written permission is prohibited.
 Features and specifications are subject to change without notice.
 Weights and measurements are approximate.
 Sony, the Sony make.believe and their respective logos are trademarks of Sony.

Sony Electronics Inc.
 1 Sony Drive
 Park Ridge, NJ 07656
sony.com/security