

UNI-ORS7C1/T1, UNI-ORS7C1W/T1W & UNI-IRS7C3/T3

Security Camera Enclosures

SONY
make.believe

Dome Enclosures

The UNI-ORS7C1/T1, UNI-ORS7C1W/T1W & UNI-IRS7C3/T3 7-inch domes offer vandal resistant protection for the camera. These tough dome housings are specifically designed to accommodate the Sony SNC-RZ30N camera. The UNI-ORS7C1W/T1W includes a pre-run wireless antenna cable that works with the SNCA-CFW1 wireless card. N-type connector is provided on the top to accommodate external antenna (sold separately). These housings offer versatility, easy installation and outstanding camera protection in a compact size.



KEY FEATURES

- Easy camera installation designed for Sony's RZ series of cameras.
- Outdoor dome, UV protected.
- Strong cast aluminum top and trim ring, with UV protected lower dome.
- Optically clear .118-inch (3mm) thick aspheric polycarbonate dome.
- Thermostatically controlled 24VAC heater (UNI-ORS7C1/T1 & UNI-ORS7C1W/T1W models).
- 24-Hour fan operation for effective heating and condensation protection (UNI-ORS7C1/T1 & UNI-ORS7C1W/T1W models).
- 24VAC input, regulated DC12V inside to power camera.
- Separate power input for heater, blower and camera power.
- Pendant mount, 1½-inch NPT quick connect coupling.
- Accepts the SNC-RZ30N camera.
- Wireless antenna cable included with housing (UNI-ORS7C1W/T1W).
- N-type connector for external antenna.

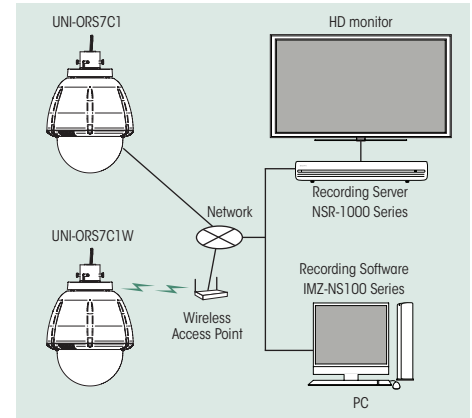
BID SPECIFICATIONS

- The vandal resistant outdoor dome camera housing shall be a Sony model UNI-ORS7C1/T1, UNI-ORS7C1W/T1W. The indoor models shall be a Sony Model UNI-IRS7C3/T3. The UNI-ORS7C1/T1, UNI-ORS7C1W/T1W, and UNI-IRS7C3/T3 housings shall be designed for the SNC-RZ30N camera. The product should come standard with a pendant mount. The housing top and pendant mount bracket shall be manufactured from durable cast aluminum. The dome shall be made of an injection molded, 3mm thick, optically clear thermoplastic polycarbonate. The dome shall be held in place with minimum of three (3) fasteners, and a safety cable shall be provided to hold the dome while servicing. Access to the enclosure shall be from below, with three (3) captive fasteners. A twist-off feature shall allow for the final removal of the dome. The wiring enters through the top of the housing on all models. A wall mount bracket, Sony model UNI-WMB3, shall be available as an option. The outdoor models shall also be equipped with 24VAC input blowers and thermostatically controlled heaters. The blower shall draw 2W continuous power. The 50W heaters shall turn on at 50°F (10°C) and turn off at 80°F (25°C). The housing shall support a temperature range of -40°F (-29°C) to 122°F (50°C). UNI-ORS7C1/T1 and UNI-ORS7C1W/T1W will include a 24VAC to 12VDC power supply built into the housing. The UNI-IRS7C3/T3 does not include any electronics, and 12VDC must be supplied to the housing. UNI-ORS7C1W/T1W is a wireless ready dome housing. The product shall have a pre-installed wireless antenna cable. The product works with the SNCA-CFW1 wireless card (sold separately).
- Note: To achieve the increased depth with the aspheric design for optimal camera lens to capsule orientation, the capsule is slightly angled around the highest section. This creates a "line", visible to the naked eye, around the upper most section of the capsule. This "line" serves as the geometric center line used to insure proper camera placement. It is not typically seen by the camera except with cameras that have above the horizon tilt capability.

SPECIFICATIONS

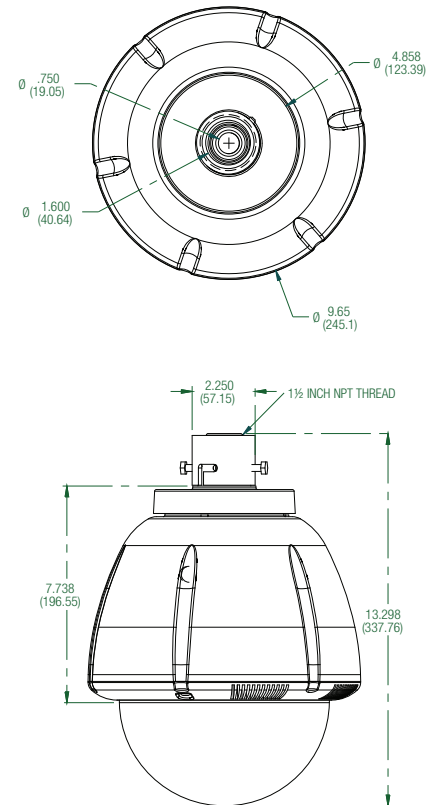
UNI-ORS7C1, UNI-ORS7C1W & UNI-IRS7C3	
Electrical	
Heater and blower	24VAC, 54 Watts
Camera	24VAC, 25 Watts
Mechanical	
Size (H x W x D)	9.7 x 9.7 x 13.3 inches (245 x 245 x 338mm)
Weight	7 lbs. (3.5 kg) without camera
Upper housing	Rugged cast aluminum housing and trim ring
Lower dome	.118-inch (3mm), optically clear, thermoplastic polycarbonate
Mounting brackets	Cast or machined aluminum
Models	
UNI-ORS7C1	Outdoor, pendant mount, clear dome housing with 24VAC input and heater/blower
UNI-ORS7T1	UNI-ORS7T1 with a tinted lower dome
UNI-IRS7C3	Indoor, vandal resistant, pendant mount, clear dome housing
Lower dome	.118-inch (3mm), optically clear, thermoplastic polycarbonate
Lower dome	.118-inch (3mm), optically clear, thermoplastic polycarbonate
Lower dome	.118-inch (3mm), optically clear, thermoplastic polycarbonate
Mounting brackets	Cast or machined aluminum
Environmental	
Operating temperature	-20°F (-29°C) to 122°F (50°C)
Heater activates at	60°F (15°C), deactivates at 80°F (26°C), 24VAC, 25W
Effective projected area (EPA)	-0.12m ²
Accessories	
UNI-WMB1	Aluminum gooseneck wall mount, white finish
UNI-RMB1	Aluminum parapet mount, white finish
UNI-CMA1	Aluminum corner mount adapter, white finish (must be used with UNI-WMB1)
UNI-PMA1	Aluminum existing pole mount adapter, white finish (must be used with UNI-WMB1)
UNI-WMB3	Wall/pendant adapter bracket for outdoor mini dome cameras
UNI-WMBB1	Aluminum pole/wall mount adapter bracket with straps
UNI-PBU1	Wall/pendant adapter bracket for outdoor mini dome cameras

SYSTEM CONFIGURATIONS



DIMENSIONS

Unit: inches (mm)



© 2012 Sony Electronics Inc. All rights reserved.
 Reproduction in whole or in part without written permission is prohibited.
 Features and specifications are subject to change without notice.
 Weights and measurements are approximate.
 Sony and the Sony make.believe logo are trademarks of Sony.

Sony Electronics Inc.
 1 Sony Drive
 Park Ridge, NJ 07656
sony.com/security