

# UNI-ONS7C1/T1, UNI-ONS7C1W/T1W, UNI-INS7C1/T1 & UNI-INS7C3/T3

Security Camera Enclosures

**SONY**  
make.believe

## Dome Enclosures

The UNI-ONS7C1/T1, UNI-ONS7C1W/T1W, UNI-INS7C1/T1 & UNI-INS7C3/T3 domes offer versatility and camera protection in a compact size. These inconspicuous dome housings are specifically designed to accommodate Sony's SNC-RZ30 and SNC-RZ50 cameras. The housings offer versatility, easy installation and outstanding camera protection in a compact size.



### KEY FEATURES

- Easy camera installation designed for SNC-RZ series of cameras.
- Constructed of durable engineered plastic top, 94V0, with UV protected lower dome.
- Cast aluminum pendant mount is standard.
- Optically clear .118-inch (3mm) thick aspheric polycarbonate dome.
- Thermostatically controlled 24VAC heater (UNI-ONS7C1 & UNI-ONS7C1W models).
- Separate power input for heater, blower and camera power.
- Wireless ready model is the UNI-ONS7C1W or the UNI-ONS7T1W.
- AC 24V external input, regulated DC12V for cameras inside provided.

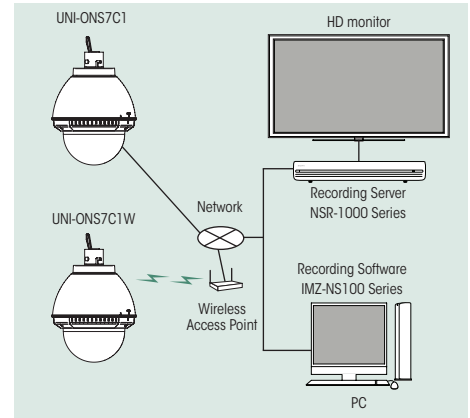
### BID SPECIFICATIONS

- The outdoor dome camera housing shall be a Sony model UNI-ONS7C1/T1, UNI-ONS7C1W/T1W. The indoor model shall be a Sony model UNI-INS7C1/T1, UNI-INS7C3/T3. The housing shall be designed for the SNC-RZ30 and SNC-RZ50 cameras. Both models should come standard with a pendant mount. The Sony model UNI-ONS7C1/T1 and UNI-ONS7C1W/T1W shall also be equipped with 24VAC input blowers and thermostatically controlled heaters. UNI-ONS7C1/T1, UNI-ONS7C1W/T1W and UNI-INS7C1/T1 will include a 24VAC to 12VDC power supply built into the housing. The UNI-INS7C3/T3 does not include any electronics, and 12VDC must be supplied to the housing. The upper dome housing shall be manufactured from a high-impact engineered plastic, UV protected, with a UL flame rating of 94V0. The dome shall be made of an injection molded, 3mm thick, optically clear thermoplastic polycarbonate. The dome shall be held in place with minimum of three (3) fasteners, and a safety cable shall be provided to hold the dome while servicing. Access to the enclosure shall be from below with three (3) captive fasteners used to press the dome against a sealing O-ring. A twist-off feature shall allow for the final removal of the dome. The wiring enters through the top of the housing on all models. The engineered plastic top, with its reflective white paint, insulates internal equipment. On the Sony models UNI-ONS7C1/T1 and UNI-ONS7C1W/T1W models the blower shall draw 1.4W continuous power. The 25W heater shall turn on at 50°F (10°C) and turn off at 77°F (25°C). The housing shall support a temperature range of -20°F (-29°C) to 122°F (50°C).
- Note: To achieve the increased depth with the aspheric design for optimal camera lens to capsule orientation, the capsule is slightly angled around the highest section. This creates a "line", visible to the naked eye, around the upper most section of the capsule. This "line" serves as the geometric center line used to insure proper camera placement. It is not typically seen by the camera. However, Sony RZ series PTZ cameras are able to tilt up above the horizon to 25°, this wide range of tilt motion at a wide angle view may cause this line to be captured in the image.

## SPECIFICATIONS

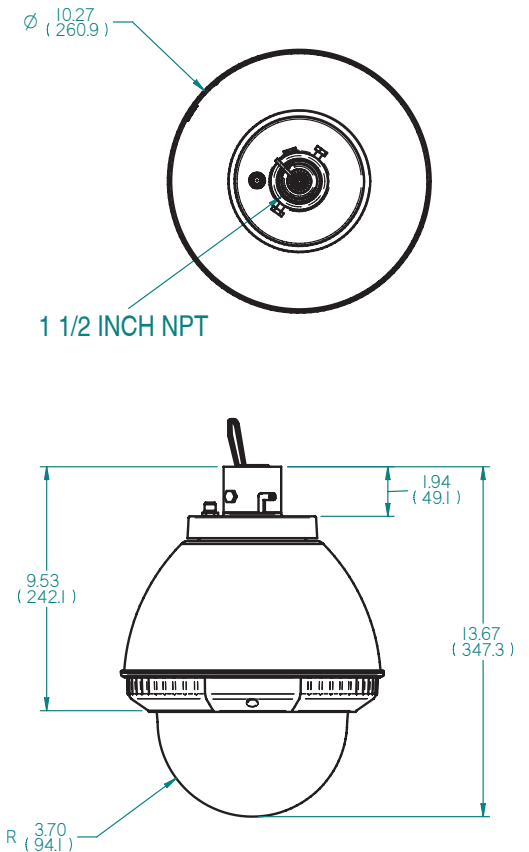
UNI-ONS7C1 & UNI-ONS7C1W	
<b>Electrical</b>	
Heater and blower	24VAC, 27 Watts
Camera	24VAC, 25 Watts
UNI-INS7C1 camera	24VAC, 25 Watts
UNI-INS7C3 camera	12VDC 25 Watts (see camera instructions)
<b>Mechanical</b>	
Size (H x W x D)	10.3 x 10.3 x 14.6 inches (262 x 262 x 371 mm)
Weight	7 lbs. (3.5 kg) without camera
Upper housing	.08-inch (2.0mm) plastic top, 94VO flame rated, and UV protected
Lower dome	.118-inch (3mm), optically clear, thermoplastic polycarbonate
Mounting brackets	Cast or machined aluminum
<b>Models</b>	
UNI-ONS7C1	Outdoor, pendant mount, clear dome housing with 24VAC input and heater/blower, 24VAC to 12VDC power supply included
UNI-ONS7T1	UNI-ONS7C1 with a tinted lower dome
UNI-ONS7C1W	Outdoor, pendant mount, clear dome housing with 24VAC input and heater/blower, 24VAC to 12VDC power supply included. Include wireless antenna cable (must be used with SNCA-CFW1 & SNCA-AN1)
UNI-ONS7T1W	UNI-ONS7C1W with a tinted lower dome
UNI-INS7C1	Indoor, pendant mount, clear dome housing with 24VAC input and 24VAC to 12VDC power supply included
UNI-INS7T1	UNI-INS7C1 with a tinted lower dome
UNI-INS7C3	Indoor, pendant mount, clear dome housing without any electrical power or wiring
UNI-INS7T3	UNI-INL7C2 with a tinted lower dome
<b>Environmental</b>	
Operating temperature	-20°F (-29°C) to 122°F (50°C)
Heater activates at	50°F (10°C), deactivates at 77°F (25°C), 24VAC, 25W
Blower	Continuous operation
<b>Shipping</b>	
Box dimension (H x W x D)	12 x 12 x 19 inches (305 x 305 x 483mm)
Weight	11 lbs. (5 kg)
<b>Accessories</b>	
UNI-WMB1	Aluminum gooseneck wall mount, white finish
UNI-RMB1	Aluminum parapet mount, white finish
UNI-CMA1	Aluminum corner mount adapter, white finish (must be used with UNI-WMB1)
UNI-PMA1	Aluminum existing pole mount adapter, white finish (must be used with UNI-WMB1)
UNI-WMB3	Wall/pendant adapter bracket for outdoor mini dome cameras
UNI-WMBB1	Aluminum pole/wall mount adapter bracket with straps
UNI-PBU1	Wall/pendant adapter bracket for outdoor mini dome cameras

## SYSTEM CONFIGURATIONS



## DIMENSIONS

Unit: inches (mm)



© 2012 Sony Electronics Inc. All rights reserved.  
 Reproduction in whole or in part without written permission is prohibited.  
 Features and specifications are subject to change without notice.  
 Weights and measurements are approximate.  
 Sony and the Sony make.believe logo are trademarks of Sony.

Sony Electronics Inc.  
 1 Sony Drive  
 Park Ridge, NJ 07656  
[sony.com/security](http://sony.com/security)