

UNI-ONL7C2/T2, UNI-ONL7C2W/T2W & UNI-INL7C2/T2

Security Camera Enclosures

SONY
make.believe

Outdoor & Indoor Dome Enclosures

The UNI-ONL7C2/T2, UNI-ONL7C2W/T2W & UNI-INL7C2/T2 (7-inch) domes offer versatility, easy installation and camera protection in a compact size. These inconspicuous dome housings are specifically designed to accommodate Sony's SNC-RX, SNC-RH, SNC-RS, SNC-ER/EP and SNC-ZR/ZP series of cameras.



KEY FEATURES

- Compatible with Sony's SNC-RX, SNC-RH, SNC-RS, SNC-ER/EP and SNC-ZR/ZP series of cameras.
- Easy camera installation.
- Constructed of durable engineered plastic top, 94V0, with UV protected lower dome.
- Cast aluminum pendant mount is standard.
- Optically clear .118-inch (3mm) thick aspheric polycarbonate dome.
- Thermostatically controlled 24VAC heater (UNI-ONL7C2 & UNI-ONL7C2W models).
- 24-Hour fan operation for effective heating and condensation protection (UNI-ONL7C2 & UNI-ONL7C2W models).
- Wireless ready models UNI-ONL7C2W and UNI-ONL7T2W, external antenna interface is N-type connector .
- AC 24V external input, regulated DC12V for cameras inside provided.

BID SPECIFICATIONS

- The outdoor dome camera housing shall be a Sony model UNI-ONL7C2, UNI-ONL7C2W. The indoor model shall be a Sony model UNI-INL7C2. The housing shall be designed for the SNC-RX, SNC-RZ25, SNC-RS, SNC-RH, SNC-EP/ER and SNC-ZR/ZP series of cameras. All models shall come standard with a 1.5" NPT pendant mount. The Sony model UNI-ONL7C2/T2 & UNI-ONL7C2W/T2W shall also be equipped with 24VAC input blowers and thermostatically controlled heaters. The products housing shall be manufactured from a high-impact engineered plastic, UV protected, with a UL flame rating of 94V0. The dome shall be made of an injection molded, 3mm thick, optically clear thermoplastic polycarbonate. The dome shall be held in place with minimum of three (3) fasteners, and a safety cable shall be provided to hold the dome while servicing. Access to the enclosure shall be from below, with three (3) captive fasteners used to press the dome against a sealing O-ring. A twist-off feature shall allow for the final removal of the dome. The wiring enters through the top of the housing on all models. The engineered plastic top, with its reflective white paint, insulates internal equipment. UNI-ONL7C2W includes a pre-run wireless antenna cable (must be used with SNCA-CFW1 & SNCA-AN1 * model sold separately). *Note: please refer to camera specs for appropriate model.

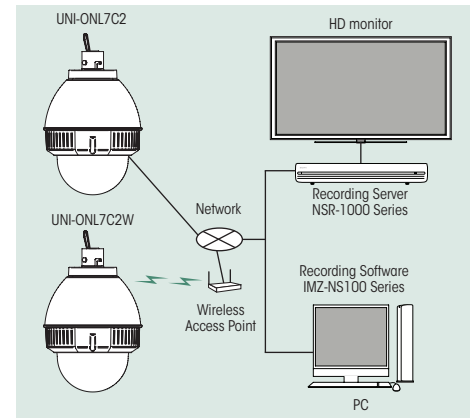
On the Sony UNI-ONL7C2, UNI-ONL7C2W and UNI-ONL7T2, UNI-ONL7T2W models, the blower shall draw 1.4W continuous power. The 25W heater shall turn on at 50°F (10°C) and turn off at 77°F (25°C). The housing shall support a temperature range of -20°F (-29°C) to 122°F (50°C). The output connector on top of the wireless ready enclosure shall be female N-type connector.

- Note: To achieve the increased depth with the aspheric design for optimal camera lens to capsule orientation, the capsule is slightly angled around the highest section. This creates a "line", visible to the naked eye, around the upper most section of the capsule. This "line" serves as the geometric center line used to insure proper camera placement. It is not typically seen by the camera except on some Sony cameras that have above horizon tilt.

SPECIFICATIONS

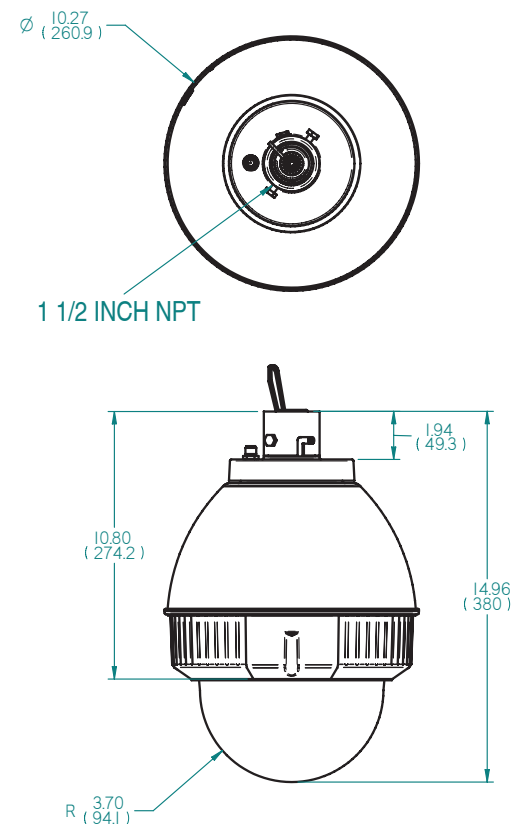
UNI-ONL7C2, UNI-ONL7C2W, UNI-INL7C2 & UNI-ONL7T2, UNI-ONL7T2W, UNI-INL7T2	
Electrical	
Heater and blower	24VAC, 27 Watts
Camera	24VAC, 25 Watts
Mechanical	
Size (H x W x D)	10.3 x 10.3 x 15 inches (262 x 262 x 381mm)
Weight	7 lbs. (3.5 kg) without camera
Upper housing	.08-inch (2.0mm) plastic top, 94VO flame rated, and UV protected
Lower dome	.118-inch (3mm), optically clear, thermoplastic polycarbonate
Mounting brackets	Cast or machined aluminum
Models	
UNI-ONL7C2	Outdoor, pendant mount, clear dome housing with 24VAC input and heater/blower
UNI-ONL7T2	UNI-ONL7C2 with a tinted lower dome
UNI-ONL7C2W	Outdoor, pendant mount, clear dome housing with 24VAC input and heater/blower. Include wireless antenna cable (must be used with SNCA-CFW1 & SNCA-AN1)
UNI-ONL7T2W	UNI-ONL7C2W with a tinted lower dome
UNI-INL7C2	Indoor, pendant mount, clear dome housing without any electrical power or wiring
UNI-INL7T2	UNI-INL7C2 with a tinted lower dome
Environmental	
Operating temperature	-20°F (-29°C) to 122°F (50°C)
Heater activates at	50°F (10°C), deactivates at 77°F (25°C), 24VAC, 25W
Blower	Continuous operation
Shipping	
Box dimension (H x W x D)	12 x 12 x 19 inches (305 x 305 x 483mm)
Weight	11 lbs. (5 kg)
Accessories	
UNI-WMB1	Aluminum gooseneck wall mount, white finish
UNI-RMB1	Aluminum parapet mount, white finish
UNI-CMA1	Aluminum corner mount adapter, white finish (must be used with UNI-WMB1)
UNI-PMA1	Aluminum pole mount adapter, white finish (must be used with UNI-WMB3)
UNI-WMB3	Aluminum pole mount adapter, white finish

SYSTEM CONFIGURATIONS



DIMENSIONS

Unit: inches (mm)



© 2012 Sony Electronics Inc. All rights reserved.
 Reproduction in whole or in part without written permission is prohibited.
 Features and specifications are subject to change without notice.
 Weights and measurements are approximate.
 Sony and the Sony make.believe logo are trademarks of Sony.

Sony Electronics Inc.
 1 Sony Drive
 Park Ridge, NJ 07656
sony.com/security