

540 TV Line Security Camera with High Sensitivity

- Horizontal resolution of 540 TV lines
- High sensitivity
Color: 0.15 lx (F1.2, 50 IRE, AGC ON)
B/W: 0.01 lx (F1.2, 50 IRE, AGC ON)
- Optional CS mount lens available
- Compact design



KEY FEATURES

- High resolution (540 horizontal TV lines) and high sensitivity (Color : 0.15 lx / B/W : 0.01 lx, F1.2, 50 IRE) achieved by an 1/3-type Super HAD™ CCD II sensor and Sony's new digital signal processor, Effio-E™.
- Optical Day / Night function to switch to Day or Night mode depending on the light level.
- Low power consumption: 1.6 W (Max.).
- Dip SW Control for easy mode setting.
- ATR-Lite (Adaptive Tone Reproduction Lite) to compensate for gradation of subjects to an optimum level.
- iBLC to compensate for exposure levels in dark scenes to help improve subject visibility.
- ATW (Automatic Tracing White) balance which automatically adjusts the camera's white balance to adapt to sudden changes in lighting conditions.
- Internal lock, and line lock selectable.
- 2D noise reduction employed.
- AC 24 V / DC 12 V operation (±10 %).

Super **HAD CCD II**™

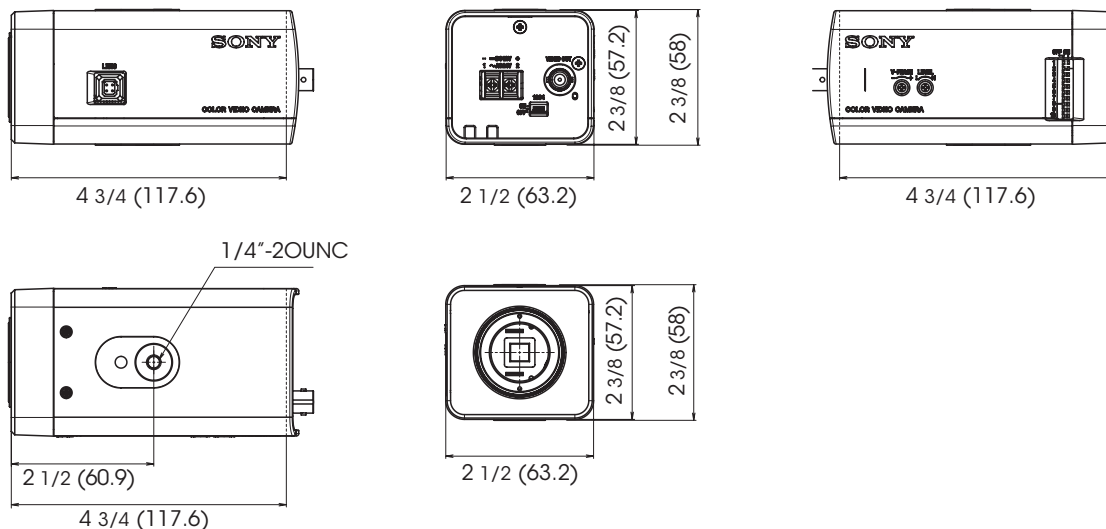
SPECIFICATIONS

SSC-G203A	
Camera	
Image device	1/3-Type Super HAD CCD II
Number of effective pixels (H x V)	380,000 pixels (768 x 494)
Signal system	NTSC standard
Horizontal resolution	540TV lines
S/N ratio	More than 55 dB (AGC Off)
Minimum illumination	Color: 0.15 lx, B/W: 0.01 lx (F1.2, 50 IRE) Color: 0.08 lx, B/W: 0.003 lx (F1.2, 30 IRE)
Video output	VBS:1.0Vp-p
Synchronization	Internal/AC line lock selectable
Gain control	Auto (on/off)
White balance	ATW (2000K to 10000K), ATW-PRO (2500K to 6000K)
Lens type	CS MOUNT LENS
Camera Features	
Day/Night	Yes
Noise reduction	Yes (2D NR)
Back light compensation	Yes (iBLC)
Automatic tone reproduction	Yes (ATR-Lite)
General	
Weight	9 oz (255 g)
Dimensions	4 3/4 x 2 1/2 x 2 3/8 inches (117.6 x 63.2 x 57.2 mm)
Power requirement	AC 24 V ±10 %, DC 12 V ±10 %
Power consumption	1.6 W
Operating temperature	14F° to 122F° (-10 °C to +50 °C)
Storage temperature	-40F° to +140F° (-40 °C to +60 °C)
Operating humidity	20 % to 80 %
Storage humidity	20 % to 95 %
Supplied accessories	Operating instructions x1, Lens mount cap x1

* Lens is optional.

DIMENSIONS

Unit: inches (mm)



© 2011 Sony Electronics Inc. All rights reserved.
 Reproduction in whole or in part without written permission is prohibited.
 Features and specifications are subject to change without notice.
 Weights and measurements are approximate.
 Sony, the Sony logo, the Sony make.believe logo Effio-E and
 Super HAD CCD II are trademarks of Sony.
 All other trademarks are the property of their respective owners.