

650 TV Line Security Camera with High Sensitivity

- Horizontal resolution of up to 650 TV lines
- High sensitivity 0.15 lx (F1.2, 50 IRE, Color)
- CS mount lens*
- Compact design

* Lens is an option.



KEY FEATURES

- High resolution (650 horizontal TV lines) and high sensitivity (0.15 lx, F1.2, 50IRE) achieved by an EXview HAD CCD II sensor and Sony's new digital signal processor, Effio-E.
- **EXview HAD CCD II™**
- Electrical Day/Night function to switch to Day or Night mode depending on the light level.
- Low power consumption: 1.4 W (Max.).
- Dip SW Control for easy mode setting.
- ATR-Lite (Adaptive Tone Reproduction Lite) to compensate for gradation of subjects to an optimum level.
- iBLC to compensate for exposure levels in dark scenes to improve subject visibility.
- ATW (Automatic Tracing White) balance which automatically adjusts the camera's white balance to adapt to sudden changes in lighting conditions.
- Internal lock, and line lock selectable.
- 2D noise reduction employed.
- AC 24 V / DC 12 V operation ($\pm 10\%$).

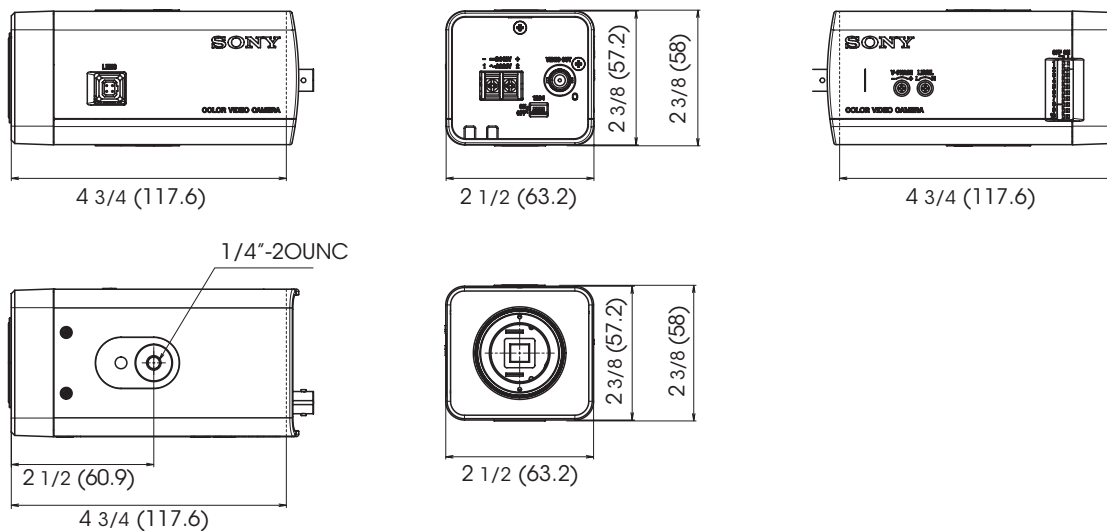
SPECIFICATIONS

SSC-G113A	
Camera	
Image device	1/3-type EXview HAD CCD II
Number of effective pixels (H x V)	480,000 pixels (976 x 494)
Signal system	NTSC standard
Horizontal resolution	650 TV lines
S/N ratio	More than 55 dB (AGC Off)
Minimum illumination	Color: 0.15 lx, B/W: 0.1 lx (F1.2, 50IRE) Color: 0.08 lx, B/W: 0.03 lx (F1.2, 30IRE)
Video output	VBS: 1.0Vp-p
Synchronization	Internal/AC line lock selectable
Gain control	Auto (on/off)
White balance	ATW (2000K to 10000K), ATW-PRO (2500K to 6000K)
Lens type	CS MOUNT LENS
Camera Features	
Day/Night	Yes (Electrical D/N)
Noise reduction	Yes (2D NR)
Back light compensation	Yes (iBLC)
Automatic tone reproduction	Yes (ATR-Lite)
General	
Weight	9 oz (250 g)
Dimensions	4 3/4 x 2 1/2 x 2 3/8 inches (117.6 x 63.2 x 57.2 mm)
Power requirement	AC 24 V ±10 %, DC 12 V ±10 %
Power consumption	1.4 W
Operating temperature	14F° to 122F° (-10 °C to +50 °C)
Storage temperature	-40F° to +140F° (-40 °C to +60 °C)
Operating humidity	20 % to 80 %
Storage humidity	20 % to 95 %
Supplied accessories	Operating instructions, Lens Mount Cap

* Lens is an option.

DIMENSIONS

Unit: inches (mm)



© 2010 Sony Electronics Inc. All rights reserved.
 Reproduction in whole or in part without written permission is prohibited.
 Features and specifications are subject to change without notice.
 Weights and measurements are approximate.
 Sony, the Sony logo, the Sony make.believe logo,
 Effio-E, and EXview HAD CCD II are trademarks of Sony.
 All other trademarks are the property of their respective owners.