

SONY

SSC-DC172P



Standard Resolution Colour Camera

You make it a Sony



Sony SSC-DC172P Standard Resolution Colour Camera - the Practical and Cost-Effective Surveillance Solution

Sony introduces a new addition to its line-up of surveillance video cameras – the SSC-DC172P. This camera incorporates a 1/3-type IT Super HAD™ CCD and Sony Digital Signal Processing (DSP) technology to achieve high picture quality and remarkable sensitivity with a signal-to-noise (S/N) ratio of more than 50 dB.

Providing various convenient features such as Turbo AGC, Auto Tracing White (ATW) Balance, Back-Light Compensation and more, the SSC-DC172P offers an ideal solution for a wide range of surveillance applications in locations ranging from offices and retail stores to warehouses. And all at an affordable price!

Features

High Picture Quality

The SSC-DC172P camera incorporates a 1/3-type IT Super HAD™ CCD that achieves a horizontal resolution of 330 TV lines and a minimum illumination of 0.6 lx at F1.2 (50 IRE).

DSP Technology

This camera incorporates Sony DSP technology for powerful picture contrast control. Providing outstanding stability over long periods of time and reliability levels unattainable with analogue signal processors, the SSC-DC172P captures superb images under various lighting conditions.

Compact and Stylish Design

With dimensions of 60 (W) x 54 (H) x 120 (D) mm and weighing only 355 grams, this compact camera can easily be installed in places where space is limited and installation was previously difficult for larger cameras. Stylish and unobtrusive, the metallic-silver design will complement any decor.

Turbo AGC

The SSC-DC172P camera is equipped with an advanced Turbo AGC function. This allows users to boost camera gain to 24 dB, enabling subjects to be distinguished more easily - even when shot in low light. The AGC mode is switchable between OFF and TURBO.

Wide Auto Tracing White (ATW) Range

ATW is a feature that automatically adjusts the camera's white balance to adapt to changing light conditions. The SSC-DC172P provides an extremely wide ATW range of 2,000 K to 10,000 K, allowing adjustment-free operation under a variety of light conditions. This ensures that a precise colour image is always obtained.

Back-Light Compensation (BLC)

Unwanted backlighting can often cause the subject matter of an image to be cast into shadow. The BLC function automatically compensates for such conditions and makes the subject easily visible with an improved level of object recognition.



CS-Mount

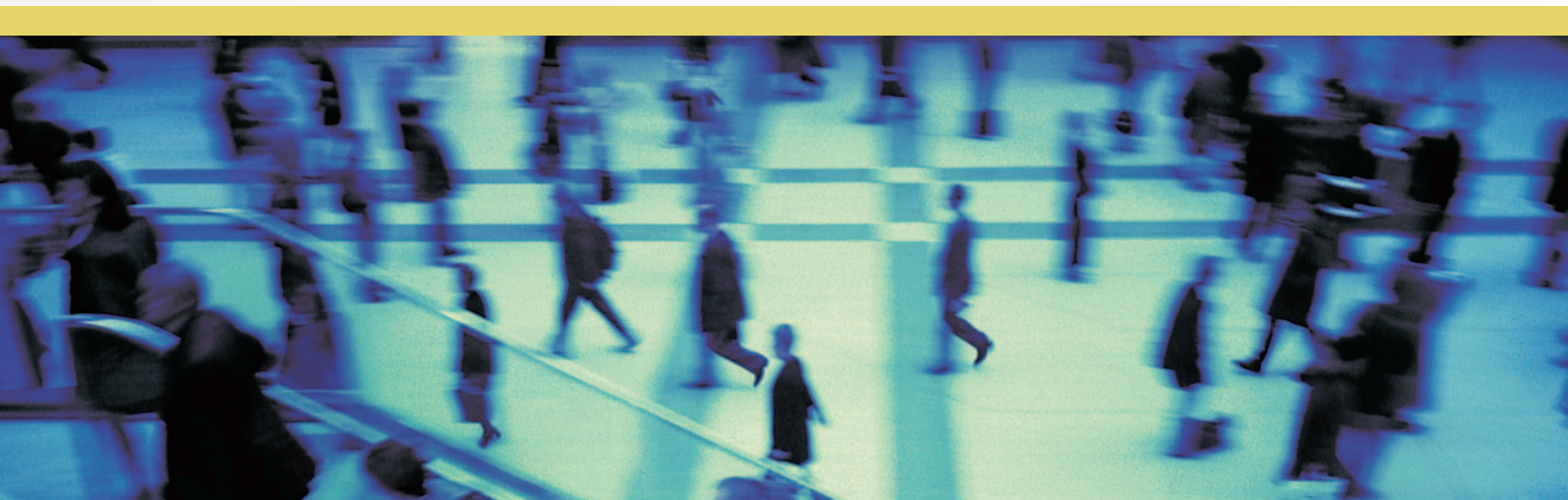
This camera is equipped with a CS-lens mount, providing compatibility with industry-standard CS-mount lenses. Precise back focus is easily attained.

CCD Iris

This function allows the use of a manual iris lens instead of a more costly automatic iris lens. As the scene illumination level increases, the camera responds by automatically reducing the exposure time of the photo sensors. This is achieved by changing the electronic shutter speed of the CCD, in the range of 1/50 to 1/100,000 seconds.

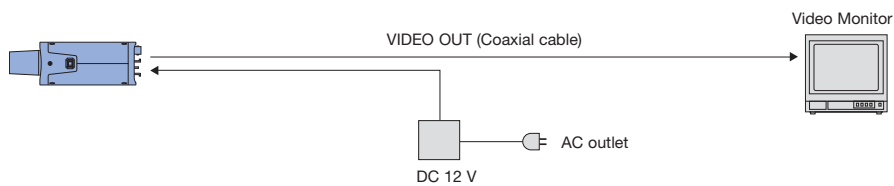
Tripod Screw Holes

Installing and setting up your camera is simple. It includes tripod screw holes at the top and bottom of its body, so no special tripod adaptors are required.

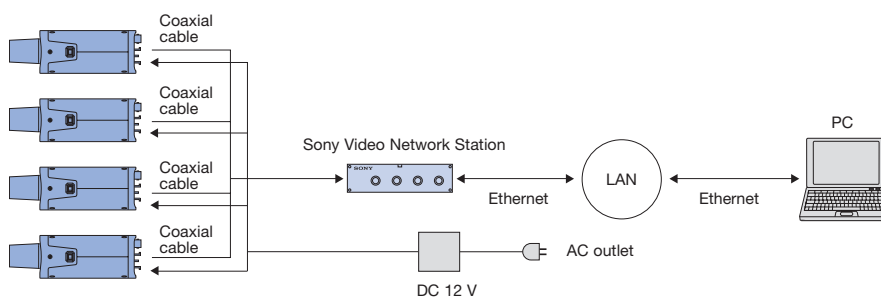


System Configurations

Single Camera Operation



Multi Camera Operation over LAN

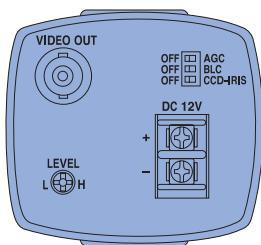


SSC-DC172P Specifications

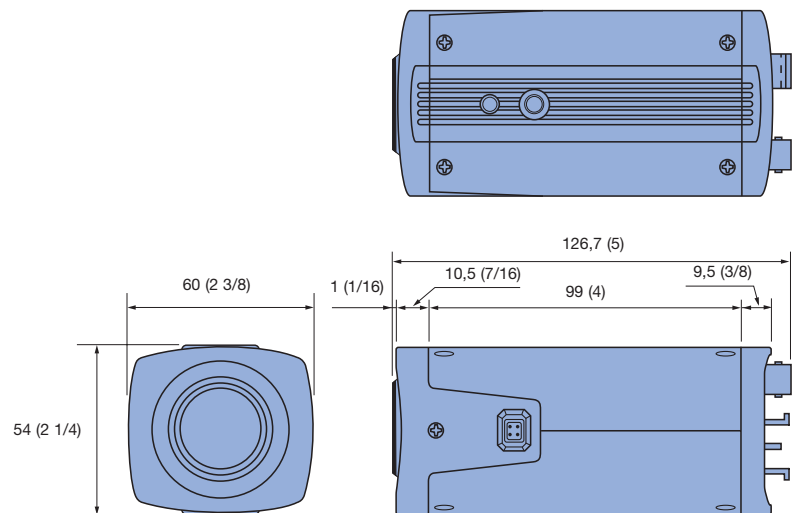
General	
Image device	1/3 type Interline Transfer CCD
Picture elements (H x V)	500 x 582
Sensing area	1/3 type format (4.8 x 3.6 mm)
Signal system	PAL standard
Sync. System	Internal
Horizontal resolution	330 TV lines
Lens mount	CS
Minimum illumination	0.6 lx at F1.2 (50 IRE, AGC ON, Turbo mode)
AGC	TURBO/OFF switchable
CCD IRIS	ON/OFF switchable (1/50 to 1/100,000 s)
White Balance (WB)	Auto White Balance (ATW)
Back-Light Compensation (BLC)	ON/OFF switchable
S/N ratio	More than 50 dB (AGC OFF, WEIGHT ON)
Video out	BNC, 1.0 Vp-p, 75 Ω, sync negative
Auto iris lens	DC servo
Operating temperature	-10°C to 50°C (14°F to 122°F)
Storage temperature	-40°C to 60°C (-40°F to 140°F)
Power requirements	DC 12 V ±10%
Power consumption	3.0 W
Mass	355 g (12 oz)
Dimensions (W x H x D)	60 x 54 x 120 mm (2 3/8 x 2 1/4 x 4 3/4 inches)
Supplied Accessories	Lens mount cap (x 1), Operating instructions (x 1)

Rear View

Dimensions Unit: mm (inches)



SSC-DC172P Rear panel



© 2004 Sony Corporation. All rights reserved. Reproduction in whole or in part without written permission is prohibited. Design, features and specifications are subject to change without notice. All non-metric weights and measures are approximate. Sony is a registered trademark of Sony Corporation. Super HAD is a trademark of Sony Corporation. CA SSC-DC172P/GB- / 2004

SONY

SONY EUROPE

www.sonybiz.net/cctv