

# SSC-CB565R/CB564R/CB575R/CB574R

Analog Color Fixed Cameras

**SONY**  
make.believe

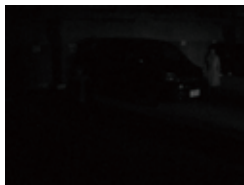
## 700 TV Line Security Cameras with IR Illuminators and IP66 Housing

- Horizontal resolution of 700 TV lines (sharp mode)
- High sensitivity
- Built-in IR illuminators
- Optical Day/Night function
- IP66-rated waterproof and dust-tight feature



### KEY FEATURES

- Built-in IR (infrared) illuminators to assist capturing objects in the dark even under 0 lx, up to 30 m (98 feet) away



OFF



ON

- High resolution (700 horizontal TV lines in sharp mode) and high sensitivity (Color: 0.06 lx, B/W: 0 lx, F1.2, 50 IRE) achieved by an 1/3-type "EXview HAD CCD II" sensor and Sony's new digital signal processor, "Effio-E"
- IP66-rated waterproof and dust-tight feature for outdoor surveillance, or indoor where water ingress may pose an issue
- Optical Day/Night function to switch to Day or Night mode depending on the light level
- Dip SW Control for easy mode setting

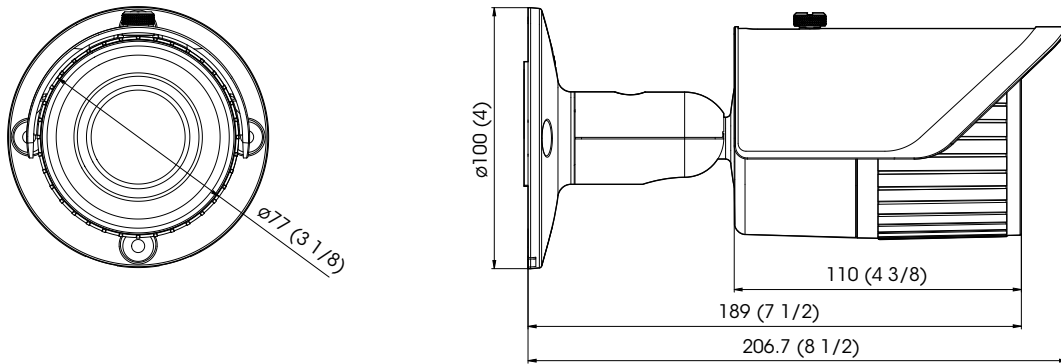
**EXview HAD CCD II™**

- ATR-Lite (Adaptive Tone Reproduction Lite) to compensate for gradation of subjects to an optimum level
- iBLC to compensate for exposure levels in dark scenes to improve subject visibility
- ATW (Automatic Tracing White) balance which automatically adjusts the camera's white balance to adapt to sudden changes in lighting conditions
- Internal lock, and line lock selectable
- 2D noise reduction employed
- AC 24 V/DC 12 V operation ( $\pm 10\%$ )

## SPECIFICATIONS

|                                    | SSC-CB565R   | SSC-CB564R                 | SSC-CB575R                   | SSC-CB574R                 |
|------------------------------------|--|----------------------------|------------------------------|----------------------------|
| <b>Camera</b>                      |  |                            |                              |                            |
| Image device                       | 1/3-type EXview HAD CCD II   |                            |                              |                            |
| Number of effective pixels (H x V) | 570,000 pixels (976 x 582)   | 480,000 pixels (976 x 494) | 570,000 pixels (976 x 582)   | 480,000 pixels (976 x 494) |
| Signal system                      | PAL standard   | NTSC standard              | PAL standard                 | NTSC standard              |
| Horizontal resolution              | 700 TV lines (sharp mode)  |                            |                              |                            |
| S/N ratio                          | More than 55 dB (AGC Off)  |                            |                              |                            |
| Minimum illumination               | Color: 0.06 lx, B/W: 0 lx (F1.2, 50 IRE)<br>Color: 0.04 lx, B/W: 0 lx (F1.2, 30 IRE)       |                            |                              |                            |
| Video output                       | VBS: 1.0 Vp-p  |                            |                              |                            |
| Synchronization                    | Internal/AC line lock selectable   |                            |                              |                            |
| Gain control                       | Auto (On/Off)  |                            |                              |                            |
| White balance                      | ATW (2000K to 10000K), ATW-PRO (2500K to 6000K)  |                            |                              |                            |
| Lens type                          | Built-in variable focal lens   |                            |                              |                            |
| Zoom ratio                         | Optical 3.7x   |                            | Optical 2.4x                 |                            |
| Horizontal viewing angle           | 101.8 degrees to 27.4 degrees  |                            | 32.1 degrees to 13.1 degrees |                            |
| Focal length                       | f=2.8 mm to 10.5 mm  |                            | f=9 mm to 22 mm              |                            |
| F number                           | F1.2 (Wide), F2.7 (Tele)   |                            | F1.4 (Wide), F1.6 (Tele)     |                            |
| Minimum object distance            | 300 mm (11 7/8 inches)   |                            | 1000 mm (39 3/8 inches)      |                            |
| <b>Camera Features</b>             |  |                            |                              |                            |
| Day/Night                          | Yes (removable IRC filter)   |                            |                              |                            |
| Noise reduction                    | Yes (2D NR)  |                            |                              |                            |
| IR working distance                | 30 m (98 feet) (50 IRE)  |                            |                              |                            |
| Back light compensation            | Yes (iBLC, On/Off)   |                            |                              |                            |
| Automatic tone reproduction        | Yes (ATR-Lite, On/Off)   |                            |                              |                            |
| <b>General</b>                     |  |                            |                              |                            |
| Mass                               | 650 g (1 lb 6.9 oz)  |                            |                              |                            |
| Dimensions                         | ø77 mm x 110 mm (ø3 1/8 inches x 4 3/8 inches)   |                            |                              |                            |
| Power requirement                  | AC 24 V ±10%, DC 12 V ±10%   |                            |                              |                            |
| Power consumption                  | Max. 5.5 W   |                            |                              |                            |
| Operating temperature              | -10 °C to +50 °C (14 °F to 122 °F)   |                            |                              |                            |
| Storage temperature                | -40 °C to +60 °C (-40 °F to +140 °F)   |                            |                              |                            |
| Operating humidity                 | 20% to 80%   |                            |                              |                            |
| Storage humidity                   | 20% to 95%   |                            |                              |                            |
| Ingress Protection                 | IP66   |                            |                              |                            |
| Supplied accessories               | Template x1, Fall-prevention rope x1, Screw (M4 x 8) x1, Wrench x1, Installation manual x1 |                            |                              |                            |

## DIMENSIONS



Unit: mm (inches)

Distributed by

© 2011 Sony Corporation. All rights reserved.  
 Reproduction in whole or in part without written permission is prohibited.  
 Features and specifications are subject to change without notice.  
 The values for weight and dimension are approximate.  
 "SONY", "make.believe", "Effio-E", and "EXview HAD CCD II" are  
 trademarks of Sony Corporation.  
 All other trademarks are the property of their respective owners.