

SNC-DH110T

Network HD Camera — X series

SONY
make.believe

Vandal-Resistant HD Security Camera

- Excellent 720p HD picture quality, supporting H.264 at 30 fps
- 1.3 Megapixel (1280 x 960) maximum resolution
- Three codecs (H.264, MPEG-4, JPEG) and dual streaming capability
- 1/3.8 type progressive scan CMOS sensor incorporated to deliver high image quality



HD **1.3M**
MEGAPixels

KEY FEATURES

- Compact and stylish design for discreet surveillance.



- IK10-rated vandal-resistant feature to protect the camera from destructive behaviors.
- Electrical Day/Night function to switch to Day or Night mode depending on the light level.
- Stream Squared function to send two 4:3 aspect ratio videos in user-selectable resolutions up to SD simultaneously (Low-cost solution to replace two SD cameras located in a line).

Example



Dual Streaming

1st Streaming
VGA video of a whole



2nd Streaming
VGA video of a cropped area



- Intelligent Motion Detection that supports DEPA™ analytics.



- Analog monitor output (AV mini jack).
- Powered by PoE (Power over Ethernet) for simple installation.
- Recording software (RealShot™ Manager Life) is bundled to start recording and monitoring instantly.
- ONVIF™ (Open Network Video Interface Forum) Version 1.01 software that ensures greater interoperability and more flexibility in building multiple-vendor systems.

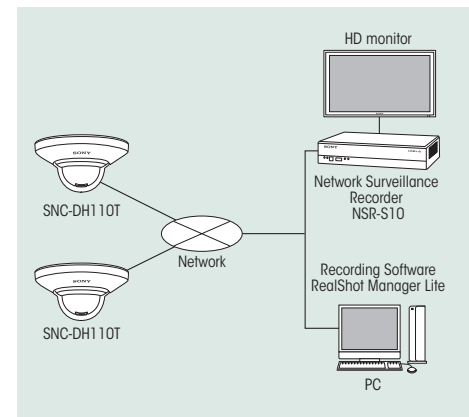
ONVIF

SPECIFICATIONS

SNC-DH110T	
Camera	
Image device	1/3.8 type CMOS sensor
Minimum illumination	5.5lx / AGC 30dB / 50IRE(IP)
Number of effective pixels (H x V)	1.3 Megapixel (1296x985)
Electronic shutter speed	1/2s to 1/10000s
Gain control	Auto
Exposure control	Auto, EV Compensation, Auto Slow Shutter
White balance mode	Auto (ATW, ATW-PRO), Preset, One-push WB, Manual
Lens type	fixed
Horizontal viewing angle	79 degrees
Focal length	f=2.34
F-number	F2.8
Minimum object distance	500 mm
Pan angle	Approx. 340°
Tilt angle	0° to 57°
Camera Features	
Day/Night	Yes (Electrical D/N)
Noise reduction	Yes
Image	
Codec image size (H x V)	1280x960, 1280x720, 1024x768, 1024x576, 768x576, 720x576, 704x576, 800x480, 720x480, 640x480, 640x368, 384x288, 352x288, 320x240, 320x192, 176x144
Video compression format	H.264, MPEG-4, JPEG
Codec streaming capability	Dual streaming
Maximum frame rate	JPEG / MPEG-4 / H.264: 30fps (1280x960 / 1280x720)
Scene Analytics	
Intelligent motion detection	Yes
Network	
Protocols	IPv4, IPv6, TCP, UDP, ARP, ICMP, IGMP, HTTP, HTTPS, FTP (client), SMTP, DHCP, DNS, NTP, RTP/RTCP, RTSP, SNMP (MIB-2)
ONVIF software	Yes
Wireless network	No
Number of clients	5
Authentication	IEEE802.1X
Analog Video Output	
Signal system	NTSC / PAL
Interface	
Ethernet	10BASE-T / 100BASE-TX (RJ-45)
Analog monitor output	AV MiniJack
Sensor input	x 1
General	
Weight	6 oz (170 g) *Without cable
Dimensions	ø 4 1/4 x 2 1/4 inches (ø 106 x 56.5 mm)
Power requirements	PoE IEEE802.3af compliant, class 1
Power consumption	2.4 W max.
Working temperature	32°F to 122°F (0° to 50 °C)
Storage temperature	-4°F to +140°F (-20° to +60 °C)
Vandal resistant	IK10
Safety regulation	UL2044, FCC 15B Class B, IC Class B, IEC60950-1, EN55022(B)+EN55024+EN50130-4, VCCI Class B, C-Tick Class B
System Requirements	
Operating system	Windows XP™, Windows Vista™ (32bit), Windows 7 (32bit)
Processor	Intel Core2 Duo 2 GHz or higher
Memory	1 GB or more
Web browser	Microsoft Internet Explorer® Ver 6.0, 7.0, or 8.0 Firefox® Ver.3.5 (Plug-in free viewer only) Safari® Ver.4.0 (Plug-in free viewer only) Google® Chrome Ver.4.0 (Plug-in free viewer only)
Supplied Accessories	
	CD-ROM (User's Guide, SNC Toolbox, RSM-Lite) Installation manual B&P Warranty Booklet Sensor input cable Template

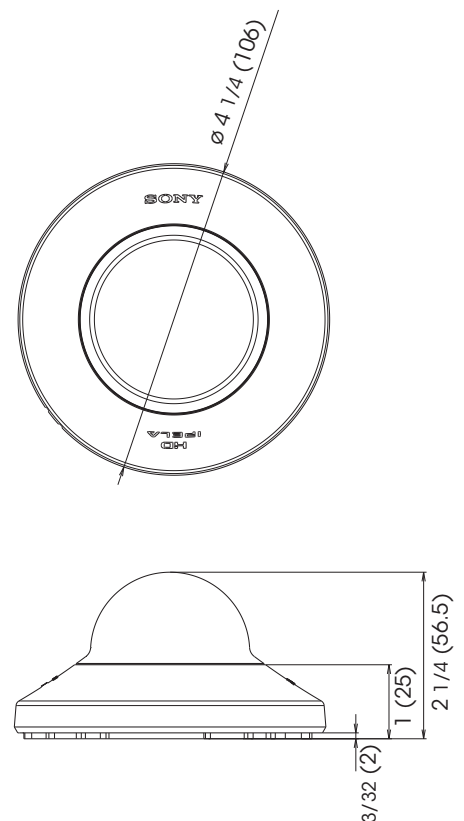
*The SNC-DH110T includes software developed by the OpenSSL Project for use in the OpenSSL Toolkit (<http://www.openssl.org/>).

SYSTEM CONFIGURATION



DIMENSIONS

Unit: inches (mm)



© 2010 Sony Electronics Inc. All rights reserved.
 Reproduction in whole or in part without written permission is prohibited.
 Features and specifications are subject to change without notice.
 Weights and measurements are approximate.
 Windows, XP, and Vista are trademarks of Microsoft Corporation.
 All other trademarks are the property of their respective owners.