

SNC-VM601

Network Mini Dome HD Camera – V Series

SONY
make.believe

Vandal-resistant Mini Dome 720p/60fps Camera Powered by IPELA ENGINE EX™ Technology

- Maximum resolution of 1280 x 1024 pixels with the Exmor™ CMOS sensor
- High Frame rate of 60 fps and three simultaneous streams
- Extremely Wide Dynamic Range to 130dB achieved with View-DR technology
- New video analytics functions including face detection and object removal/left behind
- H.264 (High/Main/Baseline Profile)/JPEG video codecs and AAC (16 kHz/48 kHz)/G.726/G.711 audio codecs
- Minimum illumination of 0.05 lx in Color and 0.04 lx in B/W (50 IRE @ 1/30 sec)
- IK10-rated vandal-resistant feature



KEY FEATURES

- IPELA ENGINE EX signal processing system developed based on Sony's unique signal processing and video analytics technologies to provide unique features such as a high frame rate, View-DR, XDNR™, and DEPA™ Advanced technologies

IPELA
ENGINE EX

- High frame rate of 60 fps to provide smoother and less blurry moving pictures
- View-DR – Sony's innovative wide dynamic range technology – to capture objects clearly and adaptively even under very harsh, severe backlight or highlight conditions

View-DR



OFF



ON

Actual Images

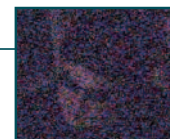
- Visibility Enhancer (VE) to optimize the brightness and color reproduction of an image dynamically on a pixel-by-pixel basis while continuously adapting to the scene within the given dynamic range
- DEPA Advanced Intelligent Video Analytics to trigger an alarm based on user-defined rules
- IK10-rated vandal-resistant feature to protect the camera from destructive behaviors
- SD memory card slot for an on-board recording capability¹



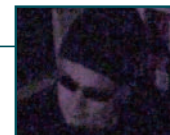
- XDNR (eXcellent Dynamic Noise Reduction) technology for clear images with virtually no motion blur under low illumination



OFF



ON



Actual Images

- True D/N (Day/Night) function to switch to Day or Night mode depending on the light level
- Built-in HTML viewer compatible with most Smartphones
- Easy Focus - allows installer/user to focus the camera remotely using a PC or locally
- Easy Zoom - allows installer/user to change field of view locally or remotely using a PC
- Powered by either PoE (IEEE 802.3af-compliant), AC 24 V \pm 20%, or DC 12 V \pm 10% for easy installation
- ONVIF™ (Open Network Video Interface Forum) Profile S conformance software that ensures greater interoperability and more flexibility in building multiple-vendor systems
- VBR (variable bitrate) or CBR (constant bitrate) encoding format selectable to correspond with various network conditions
- Easy initial network settings with supplied SNC Easy IP Setup Guide application
- Image Stabilizer to help minimize the effect of camera shake or vibration for less blurry images



¹ Data recorded on an SD memory card (sold separately) may be lost or damaged by data access during power-off, mechanical shock, memory card detachment, or other operations. Data loss or damage can also occur when a memory card reaches end of life, which varies according to operational conditions. No guarantee is given against damage (including passive damage). The on-board recording function, the intelligent motion detection function and the tamper alarm function cannot be used simultaneously.

IPELA™

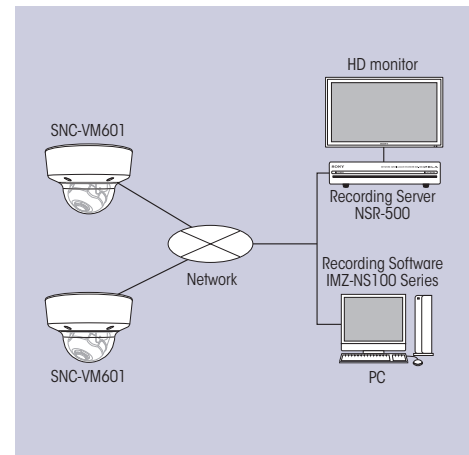
SPECIFICATIONS

SNC-VM601	
Camera	
Image Sensor	1/3-type progressive scan Exmor CMOS
Image Sensor (Number of Effective Pixels)	Approx. 1.37 Megapixels
Signal System	NTSC color system
Minimum Illumination (50 IRE)	Color: 0.05 lx (F1.2, View-DR OFF, VE OFF, AGC ON, 1/30 s, 30 fps) B/W: 0.04 lx (F1.2, View-DR OFF, VE OFF, AGC ON, 1/30 s, 30 fps)
Minimum Illumination (30 IRE)	Color: 0.03 lx (F1.2, View-DR OFF, VE OFF, AGC ON, 1/30 s, 30 fps) B/W: 0.02 lx (F1.2, View-DR OFF, VE OFF, AGC ON, 1/30 s, 30 fps)
Dynamic Range	Equivalent to 130 dB with View-DR technology
S/N Ratio	More than 50 dB (Gain 0 dB)
Gain	Auto
Shutter Speed	1/1 s to 1/10000 s
Sync System	Internal synchronization
Exposure Control	Exposure compensation, AGC, Shutter speed, Iris
White Balance	ATW, ATW-PRO, Fluorescent lamp, Mercury lamp, Sodium vapor lamp, Metal halide lamp, White LED, One push WB, Manual
Lens	Built-in vari-focal lens
Powered Zoom	Yes (Easy Zoom)
Zoom Ratio	Optical zoom 3x, Digital zoom 2x
Powered Focus	Yes (Easy Focus)
Horizontal Viewing Angle	93.0° to 31.6°
Vertical Viewing Angle	50.6° to 17.8°
Focal Length	f = 3.0 mm to 9.0 mm
F-Number	F1.2 (Wide), F2.1 (Tele)
Minimum Object Distance	300 mm
Horizontal Resolution	600 TV lines (analog video) *2
Preset Position	8
Tour	5
Camera Features	
Day/Night	Yes
Wide-D	Yes (View-DR)
Image Enhancement	Visibility Enhancer (VE)
Noise Reduction	XDNR technology
Image Stabilizer	Yes *4
Image	
Codec Image Size (H x V)	1280 x 1024, 1280 x 960, 1024 x 768, 1280 x 720, 800 x 600, 720 x 576, 720 x 480, 704 x 576, 640 x 480, 352 x 288, 320 x 240 (H.264, JPEG)
Video Compression Format	H.264 (High/Main/Baseline Profile), JPEG
Codec Streaming Capability	Triple Streaming *1, CBR/VBR (selectable)
Maximum Frame Rate	H.264: 60 fps (1280 x 1024) JPEG: 60 fps (1280 x 1024)
Audio	
Audio Compression Format	G.711/G.726/AAC (16 kHz, 48 kHz)
Scene Analytics	
Intelligent Motion Detection	Yes
Face Detection	Yes *3
Rule-based Filter	DEPA Advanced
Network	
Protocols	IPv4, TCP, UDP, ARP, ICMP, IGMP, HTTP, DHCP, DNS, NTP, RTP/RTCP, RTSP, SMTP, IP v6 *3, HTTPS, SNMP (MIB-2)
ONVIF Conformance	Yes (Profile S) *3
Number of Clients	20
Authentication	IEEE 802.1X
Interface	
Analog Video Output	BNC x1, 1.0 Vp-p, 75 Ω, unbalance, sync negative
Analog Monitor Output	Phono jack x1
Line Input	Mini jack (monaural)
Line Output	Mini jack (monaural), Maximum output level: 1 Vrms
Network Port	10BASE-T/100BASE-TX (RJ-45)
Sensor Input	x 2, make contact, break contact
Alarm Output	x 2, 24 V AC/DC, 1 A (mechanical relay outputs electrically isolated from the camera)
Microphone Input	Mini jack (monaural)
Card Slots	SD Card x 1
System Requirements	
Operating System	Windows® XP (32 bit) Professional Edition Windows Vista® (32 bit) Ultimate, Business Edition Windows 7 (32/64 bit) Ultimate, Professional Edition
Processor	Intel Core i7 2.8 GHz or higher
Memory	2 GB or more
Web Browser	Microsoft Internet Explorer® Ver. 7.0, Ver. 8.0, Ver. 9.0 Firefox® Ver. 3.5 (Plug-in free viewer only) Safari® Ver. 4.0 (Plug-in free viewer only) Google Chrome™ Ver. 4.0 (Plug-in free viewer only)
General	
Power Requirements	PoE system (IEEE 802.3af compliant), DC 12 V ± 10%, AC 24 V ± 20%
Power Consumption	6.0 W max.
Operating Temperature	14°F to 122°F (-10°C to +50°C)
Starting Temperature	32°F to 122°F (0°C to 50°C)
Storage Temperature	-4°F to +140°F (-20°C to +60°C)
Operating Humidity	20% to 80%
Storage Humidity	20% to 95%
Vandal Resistant	Yes
Dimensions (W x H x D)	ø5 7/8 inches x 4 3/8 inches (ø148 x 108 mm)
Weight	Approx. 1 lb 12 oz (800 g)
Safety Regulations	JATE technical standard (LAN) UL2044, IEC60950-1 (CB) VCCI (Class A), FCC (Class A), IC (Class A) Emission: EN55022 (Class A) + EN50130-4 Immunity: EN55022 (Class A) + EN55024 Emission: AS/NZS CISPR22 (Class A)
Supplied Accessories	CD-ROM (supplied programs) (1), Installation Manual (1), Template (1), Audio cable (1), I/O cable (1), BNC cable (1), Power input cable (1), Screw M3 (1), Wrench (1), Bracket (1), Wire rope (1), Safety regulations (1)

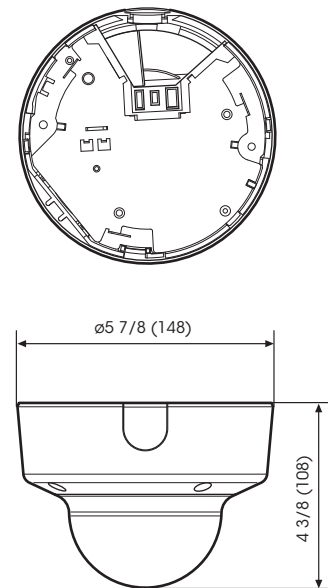
*1 Triple streaming (any combination with JPEG/H.264, including multiple streams of the same format)

*2 Monitor display ratio 4:3 *3 Version 1.4 or later *4 Default setting: OFF

SYSTEM CONFIGURATION



DIMENSIONS



Unit: inches (mm)