

# SNC-UNIH/1 & SNC-UNI

Security Camera Enclosures

**SONY**  
make.believe

## Environmental Enclosures

The SNC-UNIH/1 & SNC-UNI are indoor/outdoor, environmental housings that can accommodate:

Network cameras accepted  
SNC-CH120/140/220/240, SNC-ZB550, and SNC-EB520.

Analog cameras accepted  
SSC-FB530/560, SSC-G113A/213A and SSG-G103A/203A.

A heater/blower is included with the SNC-UNIH/1 model. The housing also includes a wall mount bracket that can be used in pole mount applications.



### KEY FEATURES

- Side hinges for ease of access when focusing and adjusting the camera.
- Accepts a variety of network (SNC-CH120/140/220/240, SNC-ZB550, SNC-EB520, and analog (SSC-FB530/560, SSC-G113A/213A, SG-G103A/203A) cameras.
- Built-in thermostatically controlled 24VAC heater/blower on SNC-UNIH/1 model.
- Lightweight extruded aluminum housing.
- High-strength steel wall/pole mount bracket included. Designed for mounting to a flat wall or round pole, larger than 3.5-inches in diameter.
- Tamper-resistant screws included to lock down the housing top.
- Accommodates maximum camera/lens combination length of 9.5".

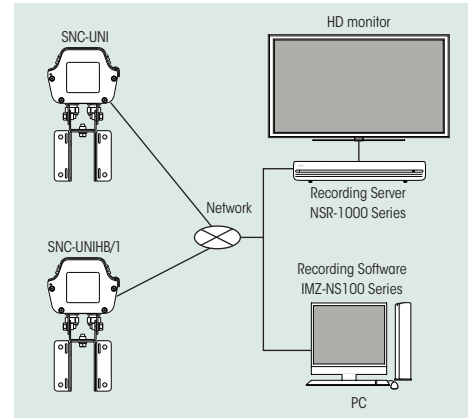
### BID SPECIFICATIONS

- The SNC-UNIH/1 & SNC-UNI environmental housings shall be constructed from two extruded aluminum (.080-inch wall thickness, white finish) halves and two injection molded polycarbonate end caps. A clear polycarbonate viewing window shall be ultrasonically welded to the inside of the front end cap, creating a watertight seal. The top of the housing shall be hinged from the side to allow accessibility to the camera by one screw in each end cap. Camera adjustment or removal shall be provided via one screw located in the key hole slot on the aluminum camera sled. A 25 VA heater is mounted to the inside of the bottom extrusion, directly behind the viewing window, for defogging and deicing on the SNC-UNIH/1 model. Four vent plugs (2 in front, 2 in rear) will create a positive airflow (front to rear) when the blower is in use (SNC-UNIH/1 model). Two watertight strain relief plugs will be located at the rear of the housing for separate communication wiring and power cable entry. With an ingress protection rating of 54.

## SPECIFICATIONS

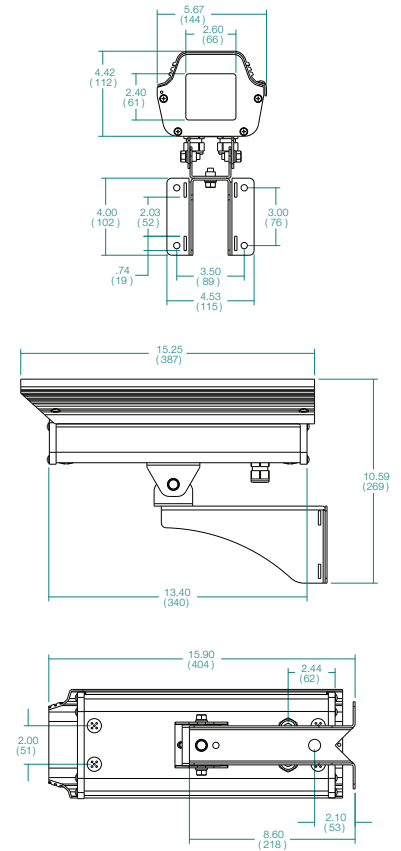
SNC-UNIHB/1 & SNC-UNI		
<b>Environmental (SNC-UNIHB/1 only)</b>		
Operating temperature	-20°F to 120°F	
Heater activates at	50°F (+/-8°), deactivates at 80°F (+/-5°)	
Blower activates at	110°F (+/-7°), deactivates at 80°F (+/-6°)	
Operating humidity	Up to 100%	
<b>Models</b>		
SNC-UNI	13-inch Indoor/Outdoor aluminum housing with clear window and hinged opening, for Sony's SNC-CH120/CH140/CH220/CH240, & CS50W cameras	
SNC-UNIHB/1	13-inch Indoor/Outdoor aluminum housing with clear window and hinged opening, 24VAC heater and blower, for Sony's SNC-CH120/CH140/CH220/CH240 cameras	
<b>Electrical</b>		
SNC-UNI	See camera instructions	
SNC-UNIHB/1	24VAC, 50/60 Hz 25 vA, 1.04 Amps for heater & blower. See camera specifications for camera power requirements	
<b>Shipping</b>		
	<b>Weight</b>	<b>Shipping box dimensions</b>
SNC-UNI	7 lbs. (3 kg)	17 x 5 x 6 inches (432 x 127 x 152mm)
SNC-UNIHB/1	8 lbs. (4 kg)	17 x 5 x 6 inches (432 x 127 x 152mm)

## SYSTEM CONFIGURATIONS



## DIMENSIONS

Unit: inches (mm)



© 2012 Sony Electronics Inc. All rights reserved.  
 Reproduction in whole or in part without written permission is prohibited.  
 Features and specifications are subject to change without notice.  
 Weights and measurements are approximate.  
 Sony and the Sony make.believe logo are trademarks of Sony.

Sony Electronics Inc.  
 1 Sony Drive  
 Park Ridge, NJ 07656  
[sony.com/security](http://sony.com/security)