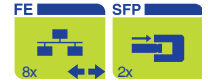


Features

- Managed 8+2-port Gigabit Ethernet switch
- Field-hardened
- 8x 10/100Base-TX and two pluggable Gigabit ports
- Non-blocking store-and-forward switching
- Password-protected web interface
- VLAN tagging (802.1Q)
- IGMPv2 multicast and Rapid Spanning Tree



Description

Optelecom-NKF's XSNet™ 2800 SW is an 8+2-port managed Gigabit Ethernet switch for indoor and outdoor applications. The switch offers eight independent 10/100Base-TX ports, featuring auto-negotiation and auto-MDI/X-MDI crossover, and two pluggable 1000Base-FX (Gigabit) ports featuring an unrivaled flexibility in choice of optics. A range of XSNet™ SFP devices fit the 1000Base-FX ports.

The XSNet™ 2800 SW provides exceptional performance under industrial conditions, characterized by mechanical stress (vibration and shock) and a wide range of operating temperatures. The compact switch offers Rapid Spanning Tree and Advanced IGMP to ensure rapid switchover times and to secure reliable transport of video, audio, and data streams. Quality of Service (QoS) is addressed by the XSNet™ 2800 SW using priority queuing (802.1p) and tagged VLANs (802.1Q), which are crucial functions for reliable and real-time services.

Within Optelecom-NKF's Advanced IP-Video Network solutions, the XSNet™ switch series plays a crucial role in the reliable transport of IP streams; it relies on both proven interoperability between the various Advanced IP-Video Network elements and on proven compatibility with third-party network equipment (e.g., Cisco and HP). Configuration and management are simplified by the built-in web interface and SNMPv2 agent. Full in-band control is available through Siquira MX™ Configuration Toolkit. The switch comes as a Eurocard module, to be slotted into an Optelecom-NKF MC 10 or MC 11 power supply cabinet,

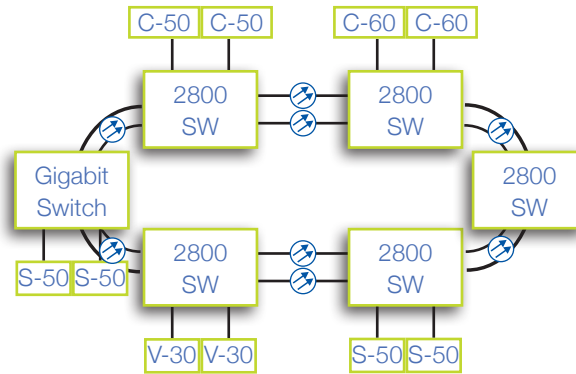
Ordering Information

Model	Description
XSNet 2800 SW	8+2-port field-hardened managed switch with 2 Gigabit up-link ports
XSNet 2800 SW/SA	Stand-alone version of rack-mount model

XSNet™ 2800 SW

Technical specifications

8 + 2-port managed Gigabit Ethernet switch



Performance

Address table size	4K entries
Switching fabric	Non-blocking
Switching method	Store and forward

Electrical

Interfaces	8x 10/100Base-TX
Connector	8x RJ-45
Maximum distance	100m

Optical

Interfaces	2x empty 1 GB optical interface
Type of interface	XSNet SFP (See XSNet SFP data sheet)

Standards

IEEE 802.3	10Base-T specification
IEEE 802.3u	100Base-TX
IEEE 802.3x	Full duplex operation
IEEE 802.3z	1000Base-FX
IEEE 802.1d	Spanning Tree Protocol
IEEE 802.1p	QoS
IEEE 802.1Q	Tagged VLAN*
IEEE 802.1w	Rapid Spanning Tree Protocol

Management

Multicast	IGMPv2 snooping
Management agent	SNMP v2 compatible (RFC1902-1907)
RFC1213	MIB-2
RFC1493	Bridge MIB
RFC 1643	Ethernet MIB
RFC 1757	RMON MIB
Led status indicator	
DC	Power-on indication (green)
Sync	Fiber Link status (green, blinks with activity)
	Green: 100 Mb, blinks with activity
Per electrical port	Amber: 10 Mb, blinks with activity
Management protocols	SNMP™
Out-of-band:	MX™, SNMPv2, HTTP (password protected)
In-band:	

Powering

Power consumption	10W
Rack-mount units	MC 10 and MC 11 power supply cabinets
Standalone models (/SA)	11 to 16 VDC (PSA-12 DC/25 or PSR-12 DC)

Environmental

Operating temperature	-40° C to +74° C (-40° F to +165.2° F)
Storage temperature	-55° C to +85° C (-67° F to +185° F)
Relative humidity	<95% as long as there is no condensation.
MTBF	>250,000h
Safety and EMC	IEC/EN 60950-1, IEC/EN 60825, IEC/EN 61000, EN 50130-4, EN 50081-1, EN 55022, FCC part 15

Mechanical

Dimensions (h x w x d)	128 x 71 x 190 mm (5 x 2.8 x 7.48 in.)
Weight (approximately)	900g (31.61 oz.)
Housing	Rack-mount or stand-alone

* Not to be combined with RSTP



The quality management system utilized in the development, production, sales and support of this product is ISO 9001:2008 certified by LRQA.

© Optelecom-NKF Version: July 2010 V3 (First Edition) – Subject to modification