

VDS 2200

Features

- Video with two-way data (RS-422/485)
- Low cost
- Adjustment-free (Automatic Gain Control)
- Easy to install
- Compact stand-alone and rack-mount cards
- Video SNR >60 dB for short links

Description

The VDS 2200 series offers a range of low-cost fiber optic video-data transceivers. Built-in Automatic Gain Control (AGC) allows for plug and play installation and maintenance-free operation.

The VDS transmitters come in stand-alone housings; the receivers are rack-mountable or stand-alone models (/SA). The VDS system is available in single as well as in dual multimode versions.

Its bidirectional data interface makes the VDS compatible with all types of cameras (RS-422/485, TTY, Manchester, biphase, etc.).



AM

The very compact VDS 2200 series transmitters are designed to be used over a broad temperature range and are, therefore suitable to be used close to a camera, or even inside outdoor camera housings.

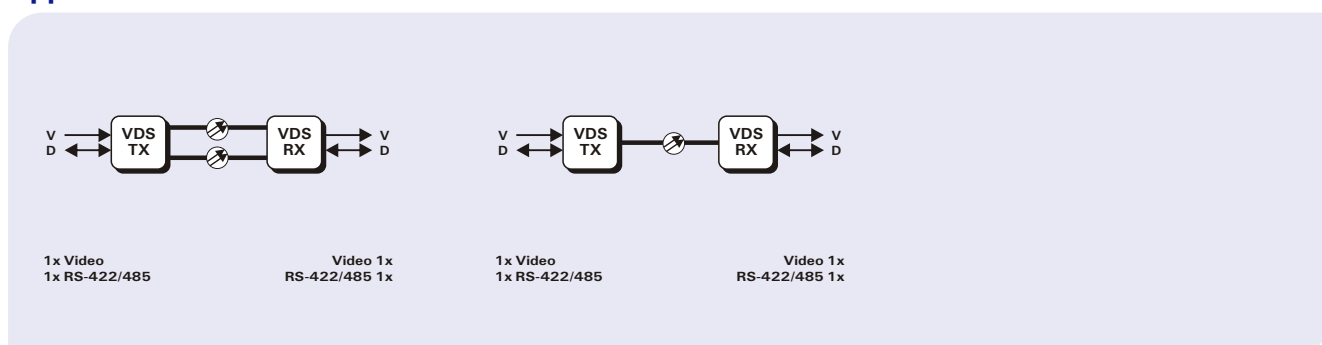
The VDS receivers are designed to be slotted into MC 11 power-supply cabinets. Stand-alone VDS models are to be powered by PSA 12 DC adapters. For extreme environmental conditions a PSR 12 DC is recommended.

Ordering information

Model	Description	Fiber type	Wavelength(s)	Budget	Housing	Managed
VDS 2200 TX VDS 2200 RX	MatchBox video transmitter & data transceiver Video receiver, data transceiver	2xMM	850 nm	16 ¹ dB	stand-alone rack-mount	- -
VDS 22xx /SA	Stand-alone versions of rack-mount models				stand-alone	-

¹): For 50/125 μ fibers subtract 4 dB.

Applications



Technical Specifications

Video

Video format	PAL/SECAM/NTSC
In-/output level	1 V _{pp} (±3 dB)
Bandwidth (-3 dB)	8 MHz
Differential phase	< 5°
Differential gain	< 5%
SNR	
Short link	> 60 dBw
Over opt. budget	> 45 dBw
Connector type	BNC 75 Ω (gold-plated centerpin)

Data

Number of channels	1 (full-duplex)
Data interfaces	RS-422/485 (2- or 4-wire)
Interface support	Current loop, TTL, TTY, Manchester and Biphasic
Data format	Asynchronous, serial
Data rate per channel	DC to 64 kbit/s
Connector type	2x 3-p screw terminal

Powering

Power consumption	< 1.1 W
VDS 22xx TX	11 to 22 V _{dc} (PSA 12 DC, PSA 12 DC/25 or PSR 12 DC)
VDS 22xx RX	MC 10 and MC 11 power-supply cabinets
VDS 22xx /SA)	11 to 16 V _{dc} (PSA 12 DC, PSA 12 DC/25 or PSR 12 DC)

Management

LED status indicators	
DC	Power-on indicator (green)
CR	Data carrier received (green)
NV	No video signal on in- or output (red)

Environmental

Operating temperature	-40 to +74°C
Relative humidity	< 95% (no condensation)
MTBF	> 100,000 h
Safety & EMC	IEC/EN 60950, IEC/EN 60825, IEC/EN 61000 EN 50130-4, EN 50081-1, IEC/EN 55022, FCC-15

Mechanical

	VDS 22xx TX	VDS 22xx RX
Dimensions (h _x w _x d)	33 x 60 x 90 mm	35 x 128 x 190 mm
Weight (approximately)	140 g	450 g

Optical	VDS 2200 TX - RX			
Fiber type	2x MM			
System budget	16 ¹ dB			
Min. link loss	0 dB			
Output power	> -18 dBm			
Output wavelength	850 nm			
Input sensitivity	< -34 dBm			
Connector type	2x ST			

¹): For 50/125 m fiber subtract 4 dB.

