

## Siqura FD27

### Features

- 1/3.8" progressive scan CMOS, 1.3 megapixel imager
- Fixed 3.6mm lens
- Dual stream MPEG-4 and MJPEG video
- Backlight compensation
- Flickerless
- Auto Exposure
- Compact Surface mount design
- Ruggedized Construction
- Built-in Microphone
- 802.3af PoE



### Description

The Siqura® FD27 is a mini IP fixed dome camera in an impact resistant ruggedized dome housing with an integrated lens providing high resolution pictures. It is specially designed for indoor applications such as video surveillance in office buildings, hotels or other applications requiring a low profile and aesthetically designed camera.

#### Clear and detailed pictures

The 1.3 Megapixel light-sensitive image chip ensures clear and detailed pictures. Together with high frame rates, the pictures give realistic footage for later examination and proof.

#### Easy to install

The compact size and Power over Ethernet (PoE) feature makes the FD27 easy to install even in small spaces.

#### Audio

The Siqura® FD27 has an integrated microphone.

#### Privacy masks

Privacy masks cover sections of the image. This feature is often requested for such situations as city center surveillance and point of sale keypads.

#### Tamper alarm

Covering or moving the camera will trigger an alarm. The camera can be configured to send pre and/or post alarm snapshots to an email or FTP server.

*Note: Alert function available May-09; Additional functionality available Q3-09.*

#### Siqura Surveillance Solutions

The Siqura® FD27 is part of the Siqura surveillance solutions set offering seamless integration of video monitoring, network storage, and management software.

### Ordering Information

Model	Description
Siqura FD27 /EU	Mini IP fixed dome camera, 1.3 megapixel, integrated microphone, 50 Hz
Siqura FD27 /US	Mini IP fixed dome camera, 1.3 megapixel, integrated microphone, 60 Hz

# Sigura FD27

## Technical Specifications

### Camera

Image sensor 1/3.8" CMOS  
 Progressive scan Yes  
 Video output(Max. Resolution) Simultaneous MJPEG 15 FPS @ 1.3MP and MPEG-4 15 fps @ VGA

Resolution	<b>NTSC</b>	<b>PAL</b>
1.3MP (MJPEG)	1280x960	1280x960
VGA	640x480	640x480
QVGA	320x240	320x240
CIF	352x240	352x288
QCIF	176x120	176x144

Minimum illumination 1 lux @ F2.0  
 Shutter speed 1.5~1/10000 s.  
 White balance Manual/ATW (1500~15000K)  
 Lens type Fixed lens  
 Max aperture F2.0  
 Lens focal length (angle of view) 3.6 mm (96°)

### Control

Image setting  
 Brightness Manual  
 Exposure Auto/Manual  
 Sharpness Manual  
 Contrast Manual  
 White balance Auto/Manual/Indoor/Outdoor  
 Digital zoom 6x  
 Rotation Flip, Mirror and 180° Rotate

### Functions

Motion detection On/Off  
 Privacy masks 2  
 Tamper alarm\* On/Off

### Network

Interface 10/100 Ethernet  
 Protocol TCP/IP, UDP, RTP, RTSP, HTTP, ICMP, FTP, SMTP, DHCP and IGMP V3  
 Password levels User and Administrator  
 Internet browser Internet Explorer (6.0+)  
 User account 20

### Powering

Power Power over Ethernet  
 Power connector RJ45  
 Power consumption Class 1

### Environmental

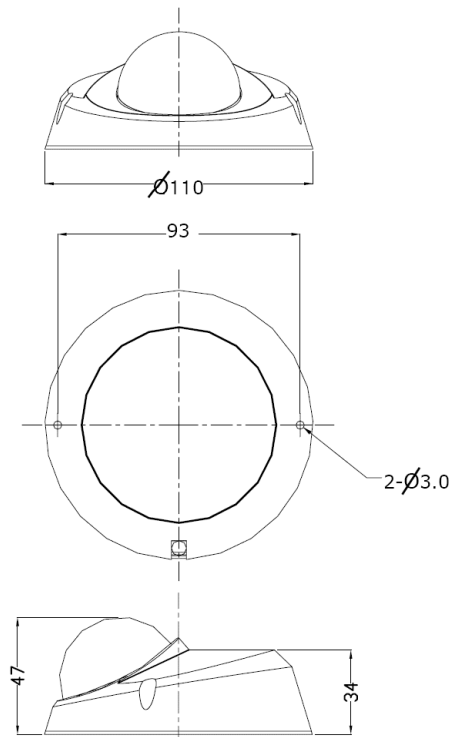
Operational temperature +32°F to +122°F (0°C to +50°C)  
 Regulatory CE, FCC, RoHS compliant

### Mechanical

Dimension Ø4.21 x 1.85 in. (Ø110 x 47 mm)  
 Mount Surface mount  
 Color RAL-9003 (Signal White)  
 Bubble Clear Polycarbonate  
 Cover Polycarbonate/ABS blend  
 Weight 7.03 oz. (200g)

### Audio

One-way audio Mic. in. (jack Ø0.13 in./3.5 mm)  
 Compression G.711/G.726



\* Alert function available May-09; Additional functionality available Q3-09



The quality management system utilized in the development, production, sales and support of this product is ISO 9001:2008 certified by LRQA.