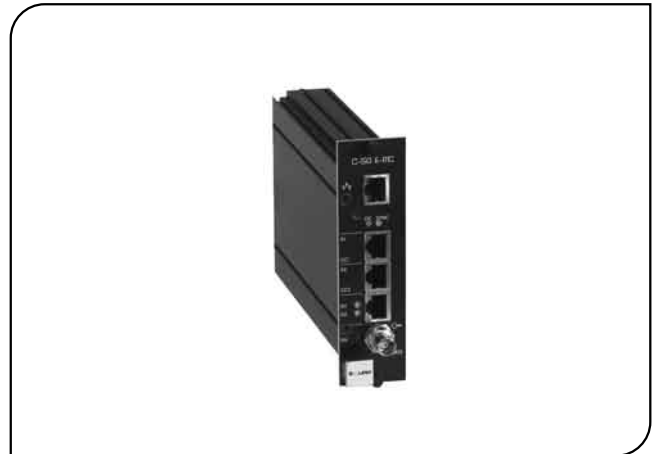


Siqura C-50 E-MC

Features

- Multi-codec video encoder
- Open Streaming Architecture
- Triple streaming support
- Simultaneous MPEG-2, MPEG-4, and MJPEG
- Duplex stereo audio
- Duplex serial data
- Field-hardened (-40° to +74° C)
- Video motion detection
- 3-level access control
- SNMP and network time (NTP) support
- Remotely upgradeable



Description

The Siqura® C-50 E-MC multi-codec video server is an open, versatile, and cost-effective solution for IP video monitoring applications, even under extreme outdoor conditions. Utilizing the full power of MPEG-2 and MPEG-4, the C-50 E-MC features low-latency, crystal clear, and highly detailed MPEG-2 video and low-bandwidth DVD-quality MPEG-4 video at full frame rate.

Open Streaming Architecture (OSA)

The C-50 E-MC is designed with a strong focus on standardization. Its Open Streaming Architecture offers standardized video streaming and remote control. All streaming protocols are based on standards and tested with different vendors. A comprehensive HTTP API gives access to all controls and makes integration with third-party VMS easy. The API is available on request from Optelecom-NKF. The C-50 E-MC is also compatible with Siqura®'s proprietary MX™ protocol.

Triple Streaming per Channel

The versatile C-50 E-MC encoder is capable of streaming MPEG-2, MPEG-4, and MJPEG simultaneously. Each stream is optimized for its purpose, e.g., high-quality MPEG-2 live viewing, low bandwidth MPEG-4 storage, and low resolution MJPEG for web applications or remote devices (e.g., PDAs).

Audio, Data, and I/O Contacts

Combining streaming video with duplex audio, serial data, and I/O contacts over IP, the C-50 E-MC provides all the interfaces necessary for any CCTV application (CD-quality stereo audio, lip-sync audio, PTZ control, alarm contacts, access control, etc). The balanced audio inputs/outputs are suitable for all industrial audio systems. Internal Video Motion Detection can be used for automated security solutions or event-triggered storage.

Fiber Option

The C-50 E-MC is available with an optional pluggable SFP slot for connections via fiber optic cable (/SFP). A range of multimode or single-mode XNet™ SFP devices fit the empty SFP slot.

Web Interface

Configuration, management, and live viewing are simplified by the access-controlled web interface. Full in-band control is available through Siqura®'s software suites (MX™ and Operator Office™). The Siqura C-50 E-MC is field-upgradeable.

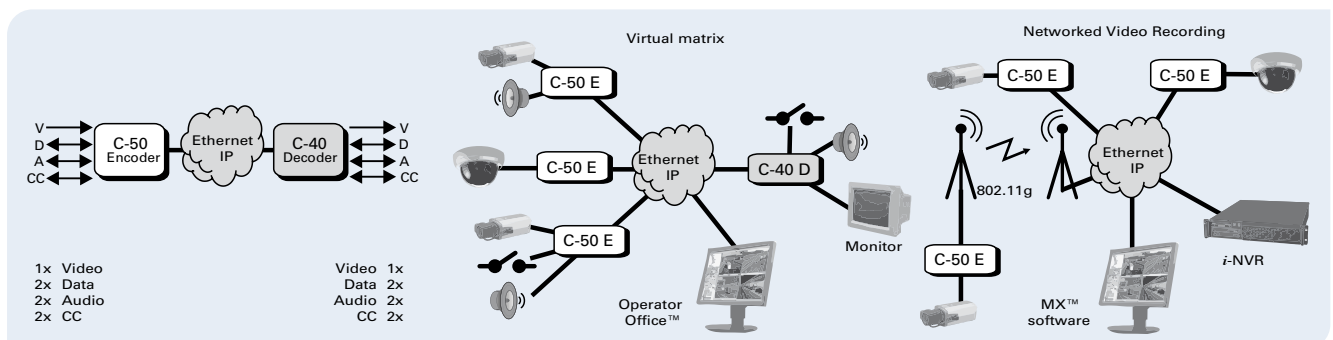
IP Surveillance Solutions

C-50 E-MC multi-codec video servers are part of Siqura®, a complete offering of video surveillance equipment and solutions. Siqura® offers video codecs/servers, IP cameras, video management, network storage, and configuration software.

Ordering information

Model	Description	Housing	Managed
Siqura C-50 E-MC	MPEG-2/-4 dual DSP video encoder w/audio, data, & CCs	Rack-mount	SNMP/MX
Siqura C-50 E-MC-SFP	MPEG-2/-4 dual DSP video encoder w/audio, data, & CCs, empty 100MB SFP slot	Rack-mount	SNMP/MX
Siqura C-50 E-MC /SA	Stand-alone version of rack-mount models	Stand-alone	SNMP/MX

Applications



Siquira C-50 E-MC

Technical Specifications

Video

Video channels	1x PAL/NTSC (Auto/PAL/NTSC)
Input level	1 Vpp (± 3 dB)
Compression algorithm	MPEG-2 (ISO/IEC 13818-2), MJPEG, MPEG-4 (ISO/IEC 14496-2, ISMA comp.)
Number of output streams	Up to 20 (multi- and/or unicast)
Input impedance	75 Ω /Hi-Z selectable
Video Motion Detection	Yes (user-defined masking)
Encoding latency	<130 ms
Resolution (HxV)	PAL NTSC
D1	720x576 720x480
1/2 D1	352x576 352x480
2CIF	720x288 720x240
CIF	352x288 352x240
QCIF	176x144 176x120
GOP structure	I, IP (selectable/user profiles)
Frame rate	1 to 30 fps
Triple streaming: ¹	
25/30 fps MPEG-2 ²	2xD1 + Motion JPEG
25/30 fps MPEG-4	1xD1 + Motion JPEG
25/30 fps MPEG-2 ² /MPEG-4	1xD1 + 1xD1
Output data rate	9.6 kb/s to 20 Mb/s (CBR or VBR selectable/user profiles)
Video settings	User profiles, contrast, brightness, color saturation, hue, sharpness
On Screen Display (OSD)	3x lines (configurable: position, text color, border/outline color, font, size, transparency), 1x image in BNC, GIF, or JPEG format (configurable: position, scaling)
MJPEG encoder	HTTP Pull; UDP streaming ³
Connector type	BNC 75 Ω (goldplated center pin)

Transmission interface

Number of interfaces	1
Interface	10/100Base-TX Fast Ethernet Autonegotiation, half-duplex/full-duplex, 10/100 Mb
Protocols	MPEG-4 ES, MPEG-2 TS, (M)JPEG, RTP, RTCP, RTSP, TCP, UDP, IP, DHCP, IGMPv2, (S)NTP, MX/IP, HTTP, SNMP v2, FTP, TelNet, DiffServ ³ , SAP ³
Connector type	RJ45

Powering

Power consumption	<6W
Rack-mount units	MC 10 and MC11 power supply cabinets
Stand-alone units (/SA)	11 to 19 VDC (PSA 12 DC/25 or PSR 12 DC)

Management

LED status indicators	
DC	Power-on indicator (green)
NV	No video on input (red)
SYNC	All links are operational (green); failure in RX stream(s) (yellow); failure in TX stream(s) (red)
Ethernet port	Green LED: on=100 Mb, off=10 Mb; Amber LED: on=link okay, flashes with activity
Network Management & Control	SNMP v2, MX™, HTTP (password protected)

Environmental

Operating temperature	-40° C to +74° C (-40° F to +165° F)
Relative humidity	<95% (no condensation)
MTBF	>200,000 h
Safety & EMC	IEC/EN 60950-1, IEC/EN 60825, IEC/EN 61000 EN 50130-4, EN 50081-1, EN 55022, FCC part 15

Mechanical

Dimensions (h x w x d)	128 x 34 x 190 mm (5.04 x 1.34 x 7.5 in.)
Weight (approx.)	450 g (1 lb.)
Housing	Rack-mount or stand-alone (/SA)

Contact Closure

Number of channels	2 (full-duplex)
Number of streams	2x 3 (multi- and/or unicast)
Output	Fail-safe, potential-free
Connector type	RJ45

Audio

Number of channels	2 (stereo, full-duplex)
Number of streams	3 (multi- and/or unicast)
Maximum bandwidth	20 Hz to 20 kHz
Sampling resolution	8/16-bits linear PCM or G.711
Input level	Adjustable, mic or line
Output level	Adjustable, 3 Vrms max.
Input impedance	>20 k Ω or 600 Ω bal.
Output impedance	<100 Ω bal.
Connector type	RJ45

Data

Number of channels	2 (full-duplex)
Number of streams	2x 3 (multi- and/or unicast)
Interfaces	1x RS232 1x RS422/485 (2- or 4-wire) TCP/UDP/MX configurable
Stream	
Data rate	300 b/s to 230.4 kb/s
Connector type	RJ45

¹ Indicated combinations are based on 100% DSP capacity

² I-frame only, GOP = 1

³ Not supported in this firmware release