

PICO™



- Miniature optical video transmitter
- Suitable for indoor and outdoor applications
- Direct camera mounting
- Easy to install
- Low cost
- Adjustment-free installation (AGC) and operation
- Video SNR > 60 dB for short link

Description

The Pico™ is the smallest optical video transmitter in the VBS 2000 series. The Pico™ can be plugged straight onto the camera's video output and is therefore very suitable to connect indoor cameras directly to fibre. The compactness of the Pico™ offers the possibility to mount the transmitter inside an outdoor camera housing.

The optional Pico video adapter cord may serve to mount the Pico™ somewhere else than straight onto the camera. The very high transmission performance of the Pico™ in combination with the VBS 2000 RX video receivers is shown by a crystal clear image, even over a long distance (5 km).

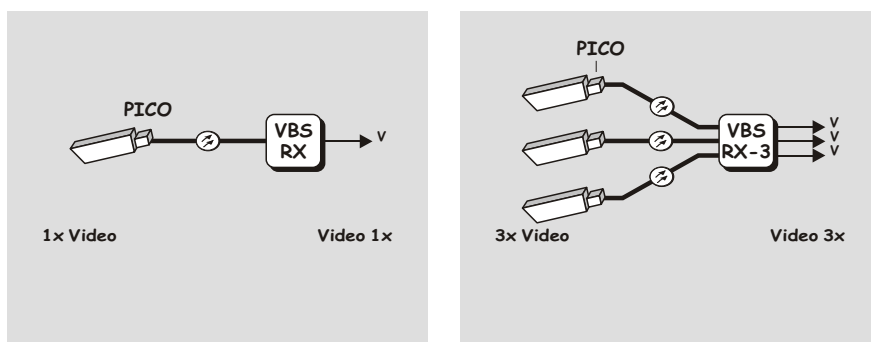
Its low power consumption and its ample power supply input voltage range of 12 to 24 DC make it possible to connect the Pico™ to the camera's power supply.

Ordering information

Model	Description	Fibre type	Wavelength(s)	Budget	Housing	SNM
Pico	Miniature video transmitter				mini	
VBS 2010 RX	Video receiver	MM	850 nm	16 ¹ dB	rack-mount	no
VBS 2020 RX-3	Triple video receiver				rack-mount	
VBS 20xx /SA	Stand-alone version of rack-mount models				stand-alone	no
Pico AC-25	Pico adapter cord, BNC(M)-BNC(F), 25 cm					

¹ For 50/125µ fibre subtract 4 dB.

Applications



Technical Specifications

PICO™

Video

Video format	PAL/SECAM/NTSC
In-/output level	1 Vpp (± 3 dB)
Bandwidth (-3 dB)	10 MHz
Differential phase	< 5°
Differential gain	< 5%
SNR	
Short link	> 60 dBw
Over opt. budget	> 45 dBw
Connector type	BNC 75 (gold plated center-pin)

Powering

Power consumption	
PICO™	< 1.5 W
VBS 2010 RX	1.7 W
VBS 2020 RX-3	5.2 W
Power supply voltages	
PICO™	11 to 24 Vdc
Stand-alone units (/SA)	11 to 16 Vdc (PSA 12 DC, PSA 12 DC/25 or PSU 12 DC)
Rack-mount units	MC 10 and MC 11 power-supply cabinets

Management

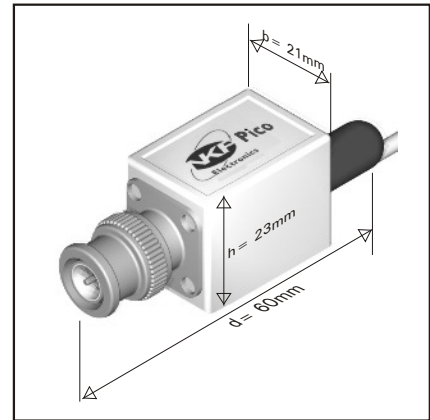
LED status indicators (RX only)	
DC	Power-on indicator (green)
NV	No video signal (red)
Network Management	no

Environmental

Operating temperature	-40 to +74 °C
Relative humidity	< 95% (no condensation)
MTBF	> 100,000 h
Safety & EMC	IEC/EN 60950, IEC/EN 60825, IEC/EN 61000 EN 50130-4, EN 50081-1, IEC/EN 55022, FCC-15

Mechanical

Dimensions ((h)xwxd)	
PICO™	23 x 21 x 60 mm (incl.connector)
VBS 20xx RX	35 x 128 x 190 mm
Weight (approx.)	
PICO™	50 g
VBS 20xx RX	450 g



Optical	Pico - VBS 2010 RX				
Wavelength	850 nm				
Fibre type	MM				
System budget	16 ¹ dB				
Output power	> -20 dBm				
Input sensitivity	< -36 dBm				
Connector type	ST				

¹): For 50/125 fibre subtract 4 dB

