

## MD62

# IP vandal-resistant mini PTZ dome with D/N (outdoor)

### Features

- Quad stream support- H.264/ Dual-MPEG-4/ MJPEG
- 12x Optical Zoom / 10 x digital zoom
- Day / Night with IR cut-filter
- 300° / second Preset targeting
- 16 Privacy masks
- 256 presets / 1 programmable cruise
- Contact Closures (alarms) 8x input / 1x output
- Two-way audio
- Analog Output
- IP66 Ingress Protection
- 24 VAC



### Description

The Siqura® MD62 is a compact network PTZ dome in a weather and vandal resistant housing which provides high speed performance and superior encoding technology.

#### Quad Streaming

The versatile MD62 is capable of streaming H.264, dual MPEG-4 and MJPEG simultaneously. Each stream is optimized for its purpose, e.g., high-quality MJPEG live viewing, low-bandwidth H.264 or MPEG-4 storage, and low-resolution MJPEG for web applications or remote devices (e.g., PDAs). The H.264 implementation is based on dedicated hardware resulting in unparalleled video quality.

#### Open Streaming Architecture (OSA)

The MD62 is designed to comply with the worldwide adopted standards for streaming video. Its OSA offers standardized streaming video and remote control. All streaming protocols are based on approved standards and tested with different vendors. A comprehensive HTTP API gives access to all controls and makes integration with third party VMS easy. In addition, the MD62 supports Siqura's unique MX™ protocol.

#### Mini Dome

This mini PTZ dome has a 12x autofocus zoom lens with 10x digital zoom. The 360° continuous pan provides seamless control in both programmed and manned operation. In addition, precision 300° per second pan and tilt drive technology offers almost instant preset positioning.

### Ordering Information

#### Model

MD62 /N  
MD62 /P

#### Description

Mini network PTZ dome, day/night, vandal-resistant, IP66  
Mini network PTZ dome, day/night, vandal-resistant, IP66

\*WM02 is included with each outdoor MD and HD camera

# MD62

## Technical specifications

# IP vandal-resistant mini PTZ dome with D/N (outdoor)

### Camera

Image sensor	1/4" EXview CCD	
Resolution	NTSC	PAL
Effective pixels	380k	440k
Horizontal resolution	470 TVL	470 TVL
Electronic shutter	1/60~1/10 k s	1/50~1/10 k s
D1	720x480	720x576
1/2D1	352x480	352x576
2CIF	720x240	720x288
CIF	352x240	352x288
QCIF	176x120	352x288
Synchronization	Internal	
Video output	1.0 Vpp/7Ω, BNC (gold-plated center pin)	
Minimum illumination	1 lux, 0.1 lux (B/W)	
Focal length	4~48 mm	
Focus mode	Auto/manual	
White balance	Auto/manual	
Iris control	Auto/manual	
AGC control	Auto/manual	
Backlight compensation	On/ Off	

### Video

Compression algorithm	MJPEG, MPEG-4 SP Layer 5 (ISO/IEC14496-2, ISMA comp.)
Type of streaming	UDP/IP (multi- and/or unicast)
Number of output streams	Up to 20
Encoding latency	<130 ms
GOP structure	I, IP selectable
Frame rate	1 to 30 FPS
Triple streaming:*	
25/30 fps MPEG-4	1xD1 + 1x2CIF + MJPEG
25/30 fps MPEG-4/MJPEG	1xD1 + 1xD1 + MJPEG
Output data rate	Up to 20 Mb/s (CBR or VBR selectable user profiles)
Video settings	User profiles, contrast, brightness, color saturation, hue, sharpness.
Video Overlay	3x text lines, (configurable: position, color, border/outline color, font size), 1x image in BMP, GIF, or JPEG format (configurable: position, scaling.)
Live view encoder	HTTP, FTP pull

### Functions

Motion detection	Yes (user-defined masking)
Day/ Night (IR-cut filter)	Auto/ On/ Off

### Audio

Two-way audio	Line out, Line in/mic in (jack Ø3.5 mm)
Number of channels	1 (Mono, full-duplex)
Number of streams	3 (multi- and/or unicast)
Maximum bandwidth	20 Hz to 20 kHz
Sampling resolution	8/16-bits linear PCM or G.711
Input level	Adjustable, mic or line
Output level	Adjustable, 3 Vrms max.
input impedance	>20 kΩ (600Ω bal)
Output impedance	<100Ω (balanced)

### Contact Closures

Inputs	8
Outputs	1
Number of streams	2x 3 (multi- and/or unicast)

### Network

Interface	10/100Base-TX, Fast ethernet
Protocol	MPEG-4 ES, (M)JPEG, RTP, RTCP, RTSP, TCP, UDP, IP, DHCP, IGMPv2, (S)NTP, MX/IP, HTTP, SNMP v2, \ FTP, TelNet, DiffServ, SAP, UPnP
Connector type	RJ45
Management & control	SNMP v2, MX™, HTTP API v1.30, HTML (password protected)

### Pan/Tilt

Pan travel	360° continuous
Tilt travel	0°~180°
Preset speed	300°/s
Manual speed	0.5°/s
Presets	256 presets
Preset accuracy	0.225°
Cruise	8
Sequence	8
Auto pan	4
Proportional pan & tilt	On/ Off
Resume after power loss	Yes
Zone title	16
Home function	Preset, Sequence, Auto pan,
Auto flip	Cruise Mechanical/ Off

### Mechanical

Dimension (h x w x d)	Ø190 x 260 mm (Ø7.5 x 10.2in.) (with sunshield)
Weight	1.2 kg (2.7 lbs.)
Color	RAL-9003 (Signal White)

### Environmental

Operating Temperature	-30°C to +45°C (-22°F to +113°F)
-----------------------	----------------------------------

### Powering

Power consumption	60W
Power	19.2 - 28.4 VAC (24VAC nominal +/- 20%)

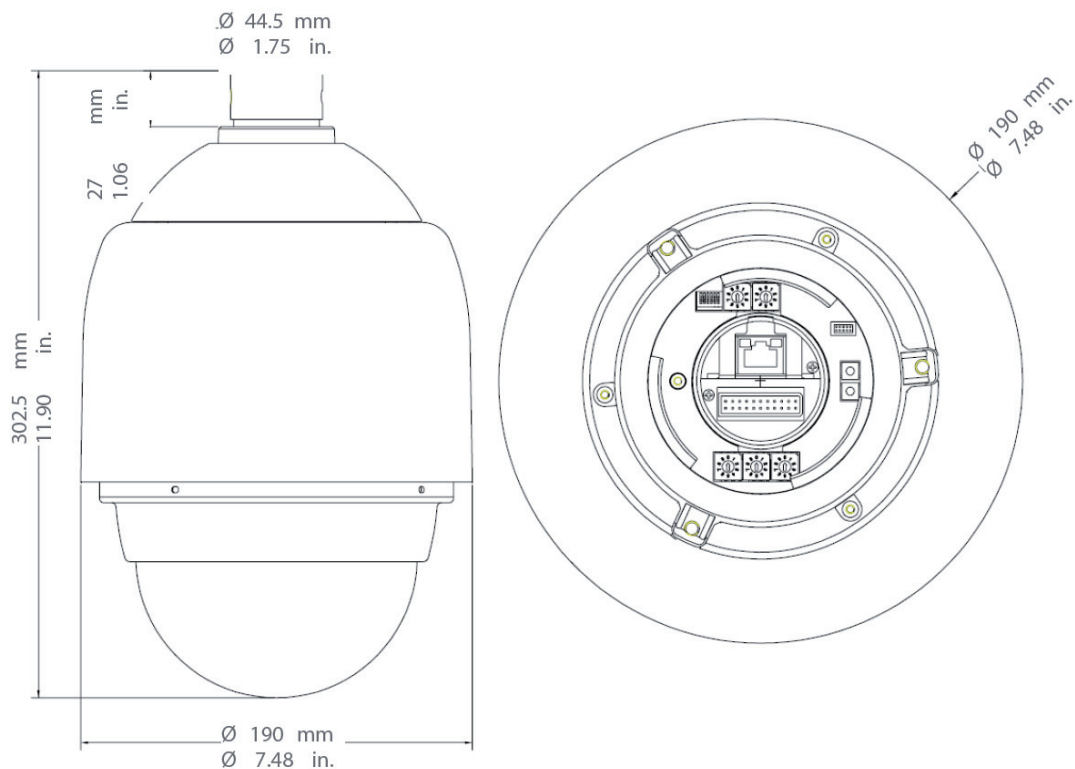
\*indicated combinations are based on 100% DSP capacity



The quality management system utilized in the development, production, sales and support of this product is ISO 9001:2008 certified by LRQA.

© Optelecom-NKF Version: January 2010 V1 (First Edition) – Subject to modification

[www.siqua.com](http://www.siqua.com)  
[www.optelecom-nkf.com](http://www.optelecom-nkf.com)



## Ordering Information Accessories

Model	Description
PA02 /EU	Power adapter 220~235 VAC to 24 VAC /3A for MD-series with use of heater (outdoor), with EU plug
PA02 /US	Power adapter 220~235 VAC to 24 VAC /3A for MD-series with use of heater (outdoor), with EU plug
PA03	Power adapter 100~115 VAC to 24 VAC /3A in water resistant housing
WM01	Mini wall mount for MD-series
WM02 /MD	Tube adaptor for indoor MD-series, compatible with CM01/02 and WM03
WM03	Gooseneck tube
WM05	Corner plate, compatible with WM01 and WM03
WM06	Wall box mounting, compatible with WM01 and WM03
PM01	Pole thin direct mounting, compatible with WM01 and WM03
PM02	Pole wide direct mounting, compatible with WM01 and WM03
PM03	Pole thin box mounting, compatible with WM01 and WM03
PM04	Pole wide box mounting, compatible with WM01 and WM03
PM05	Swanneck tube



The quality management system utilized in the development, production, sales and support of this product is ISO 9001:2008 certified by LRQA.

© Optelecom-NKF Version: January 2010 V1 (First Edition) – Subject to modification