

HSD628EXP

Explosion-Proof IP PTZ dome with day/night

Features

- H.264, MPEG-2, MPEG-4 and MJPEG
- 36x Optical Zoom/12x digital zoom
- Day/Night with IR-cut filter
- Wide Dynamic Range
- Backlight Compensation
- Video Motion Detection
- Electronic Image Stabilization
- Camera Health Monitor
- IP67 Ingress Protection
- ATEX approved for gas and dust
- Fan and heater
- Direct Fiber Options



Description

The Siquira® HSD628EXP is designed to endure in extremely harsh environments, such as oil rigs and power plants. Its robust construction guarantees the safety of your facility even if the camera should come in contact with hazardous material. Its fully-integrated stainless steel housing and mounting bracket protect this Siquira camera in exceptionally taxing conditions, including offshore installations, where corrosion is a constant threat. The camera housing is manufactured completely from Stainless Steel 316 which is ideally suited for use within the offshore and onshore environments. Stainless Steel screws and mounting bracket for additional wall, ceiling or pole mount are incorporated ensuring a totally corrosion free unit.

Multi-Stream / Multi-Codec

The versatile HSD628EXP can simultaneously stream dual H.264, with two flexible encoding outputs which can provide MPEG-2, MPEG-4, and MJPEG streams. Each stream is optimized for its specific purpose. The H.264 implementation uses dedicated hardware to improve video quality while lowering bandwidth requirements.

Open Streaming Architecture (OSA)

The HSD628EXP complies with worldwide approved standards for streaming video and is tested with different vendors, making third-party integration easy. Its OSA offers standardized streaming video and remote control. The HSD628EXP also supports the unique Siquira® MX™ protocol.

Camera Health Check and Tampering Alarm

The HSD628EXP is fitted with a unique feature that checks the health of the camera. This image quality monitor analyzes contrast, exposure, sharpness and noise, and immediately alerts an operator for any malfunctioning. Camera tampering analytics detect any changes in the camera's position or field of view. The instant a camera is subject to failure or tampering, an alert can be raised.

Day/Night, Backlight Compensation, and Wide Dynamic Range

The HSD628EXP provides automatic day/night functionality, for use in low light situations. Backlight compensation enhances image visibility in difficult lighting conditions. Wide dynamic range solves the problem of overlit images by combining the best of two pictures with different light references.

High-Speed Dome

This high speed dome has an 36x auto focus zoom lens with 12x digital zoom. Precision 400° per second pan and tilt drive technology offers almost instant preset positioning. Support for many presets, cruises and sequences provides highly flexible manual or automatic operation.

Fiber Interface Accessory

A fiber option is available for direct connection of fiber to the dome via a flexible SFP interface. A choice of single-mode and multimode XSNet™ SFP modules are certified for use with the HSD628EXP.

Ordering Information

Model

Siquira HSD628EXP /N
Siquira HSD628EXP /P

Description

IP High speed dome, 36x Optical zoom, Explosion-Proof, Stainless Steel, NTSC
IP High speed dome, 36x Optical zoom, Explosion-Proof, Stainless Steel, PAL

HSD628EXP

Technical specifications

Explosion-Proof IP PTZ dome with day/night

Camera

Image sensor	1/4" CCD	
Optical zoom ¹	36x	
Digital zoom ¹	12x	
Resolution	NTSC	PAL
Effective pixels	380k	440k
Horizontal resolution	540 TVL	540 TVL
D1	720x480	720x576
½D1	352x480	352x576
2CIF	720x240	720x288
CIF	352x240	352x288
QCIF	176x120	176x144
Electronic shutter	1~1/10 k s	
Video output	1.0 Vpp/75Ω	
S/N ratio	>50 dB (AGC off)	
Minimum illumination	0.1 lux, 0.01 lux (B/W)	
Angle of View	55.8° wide to 1.55° Tele	
Focal length	3.4 - 122.4	
Focus mode	Auto/ manual	
White balance	Auto/ manual	
Iris control	Auto/ manual	
AGC control	Auto/ manual	
Backlight compensation	On/ Off	

Audio

Number of channels	1 (Mono, full-duplex)
Number of streams	3 (multicast and/or unicast)
Maximum bandwidth	20 Hz to 20 kHz
Sampling resolution	8 bit linear PCM or G.711
Input level	Adjustable, mic or line
Output level	Adjustable, 3 Vrms max.
Input impedance	>20 kΩ or 600Ω bal.
Output impedance	<100Ω bal.

Functions

Motion detection	On/ Off
Day/ Night (IR-cut filter)	On/ Off
Digital slow shutter	On/ Off
Wide Dynamic Range	On/ Off
Privacy masks	16
PTZ coordinate data	Via API or Pelco-D (set/get)
Directional OSD	Compass direction, Azimuth, Elevation

Embedded Analytics

Image Quality Monitor	Focus, contrast, exposure, noise level
Tamper Detection	blocked view, changed position (16 presets)

Contact Closures

Inputs	8
Outputs	1
Reactions	Preset, Sequence, Auto pan, Cruise

Network

Interface options	RJ-45 (factory Installed) or SFP Cage
Protocol	(accessory Included); SFP modules not included ³ H.264 BP, MPEG-4 ES, MPEG-2, RTP, UDP, IP, DHCP, IGMPv2, RTSP, (S)NTP, MX/IP, HTTP, SNMP v2, DiffServ, SAP, UPnP

Mechanical

Dimension (h x w x d)	Ø195 x 373 mm (Ø7.7 x 14.7 in.)
Weight	15 kg (33.1 lbs.)

Video

Number of video streams	2x H.264, 2x MPEG-4, MPEG-2, and/or MJPEG
Frame rate	1 to 30 fps
Compression algorithm	H.264 BP (ISO/IEC 14496-10), MPEG-4 SP Layer 5 (ISO/IEC 14496-2), MPEG-2 (ISO/IEC 13818-2), MJPEG
Type of streaming	UDP/IP (multi- and/or unicast) TCP/IP (RTP over RTSP)
Number of output streams	Up to 20
Video Motion Detection	Yes (user-defined masking)
Encoding latency	<130 ms typ
GOP structure	I, IP (selectable/user profiles)
Quad streaming	2x D1@30fps H264 + D1@30fps MPEG-4 + CIF@1fps MJPEG
Output data rate	up to 20 Mb/s (CBR or VBR selectable/user profiles) User profiles, contrast, brightness, color saturation, hue, sharpness
Video settings	3x Text lines (configurable: position, color, border/outline color, font size), 1x image in BMP, GIF, or JPEG format (configurable: position, scaling)
Video overlay	

Pan/Tilt

Pan travel	360° continuous
Tilt travel	-10° ~ 190°
Preset speed	400°/s
Manual speed	0.5° ~ 90°/s
Presets	256 presets
Preset accuracy	+/- 0.100°
Cruise	8
Sequence	8
Auto pan	4
Proportional pan & tilt	On/ Off
Resume after power loss	Yes
Zone title	16
Home function	Preset, Sequence, Auto pan, Cruise
Auto flip	Digital/ Mechanical/ Off

Environmental

Operating temperature (Camera)	Continuous -45°C to +50°C (-49°F to +122°F); 60° C. (140° F) Max.
Certified Temperature (Camera) ²	Continuous -20°C to +40°C (-4°F to +104°F)
Ingress protection	IP66, IP67
Certification	ATEX, II 2 G/D, Exd IIB T5 T100 °C Zone 1/21 and 2/22
Entries	1 x M20 and 2 x M25 (EExd)

Powering

Power consumption	25W (50 W with heater)
Power	24VAC +/- 20%

Materials

Housing	Stainless Steel 316
Bubble	3mm Polycarbonate
Bubble coating	Factory-applied for up to 3 years maintenance-free operation.

¹ Maximum zoom operation can give optical distortion because of Exd Polycarbonate Bubble.

² Certifications are site specific. Please consult factory with detailed requirements.

³ Please consult factory for certification of SFP modules not listed on this data sheet.

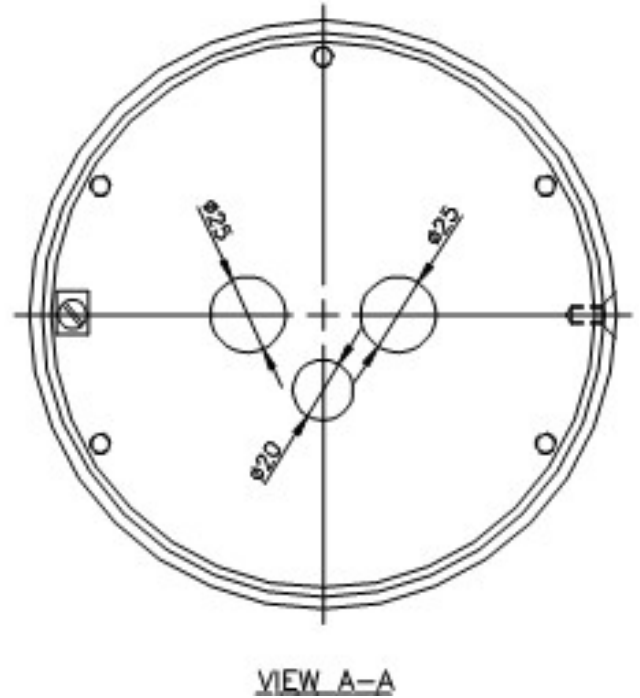
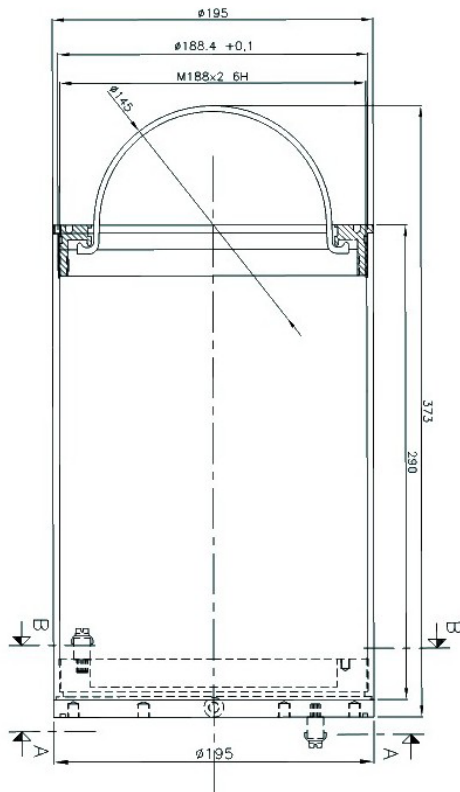


The quality management system utilized in the development, production, sales and support of this product is ISO 9001:2008 certified by LRQA.

© Siquira Version: September 2011 V1.1 (First Edition) – Subject to modification



member of the TKH Group



Ordering Information Accessories

Model	Description
WMEX-01	Wall Mount, Stainless steel, Explosion-proof PTZ
PMEX-01	Pole Mount, Stainless steel, Explosion-proof PTZ
CMEX-01	Ceiling (Pendant) Mount, Stainless steel, Explosion-proof PTZ.

Certified SFP Modules
 XSNet SFP MM/1310
 XSNet SFP SM/10



The quality management system utilized in the development, production, sales and support of this product is ISO 9001:2008 certified by LRQA.
 © Siquira Version: May 2011 V1.0 (First Edition) – Subject to modification



member of the TKH Group