

Features

- 35x Optical Zoom/12x digital zoom
- Day/Night with IR-cut filter
- Backlight Compensation
- Wide Dynamic Range
- 400°/second preset targeting
- 256 presets/8 programmable cruises
- Compass, Azimuth and Elevation OSD
- 8 privacy masks
- Pressurized to 7psi; able to hold pressure for up to 1 year
- Low pressure sensor, Schrader and pressure relief valves standard
- IP 67 ingress protection
- 24 VAC



Description

The Siquira® HD11APRH provides a robust housing which protects the camera in severe environments where excessive moisture, dirt, and pollution are present. In addition, the advanced features such as Day/Night, Wide Dynamic Range, Backlight Compensation, and image stabilization ensure excellent pictures in the most difficult lighting situations.

High-Speed Dome

This high-speed network PTZ dome has a 35x autofocus zoom lens with 12x digital zoom. Precision 400° per second pan and tilt drive technology offers almost instant preset positioning. The robust feature set includes multiple sequences, cruises, and autopan functions.

Superior Protection

The HD11APRH has an IP67 ingress rating and the housing is constructed of materials designed to withstand intense levels of solar

heat (945VA UV protected). Pressurizing the housing, particularly with inert nitrogen gas, will prevent moisture, pollution and dust from damaging the camera.

Day/Night, Backlight Compensation, and Wide Dynamic Range

The HD11APRH is provided with an automatic Day/Night functionality, which is used in low light situations and a Backlight Compensation functionality for use in different scenes. This means the HD11APRH provides a clear picture for the operator, no matter what the lighting situation is. Wide Dynamic Range solves the problem of overlit images by taking the better of two pictures with different light references.

Privacy Masks

Privacy masks cover sections of the image and shrink or grow according to the camera's zoom. This feature is often requested for situations such as city center surveillance.

Ordering Information

Models

- HD11APRH/N
- HD11APRH/P
- PA03 /EU
- PA03 /US
- WM01A
- WM03A
- WM05
- WM06
- PM01
- PM02
- PM03
- PM04
- PM05
- PTM01

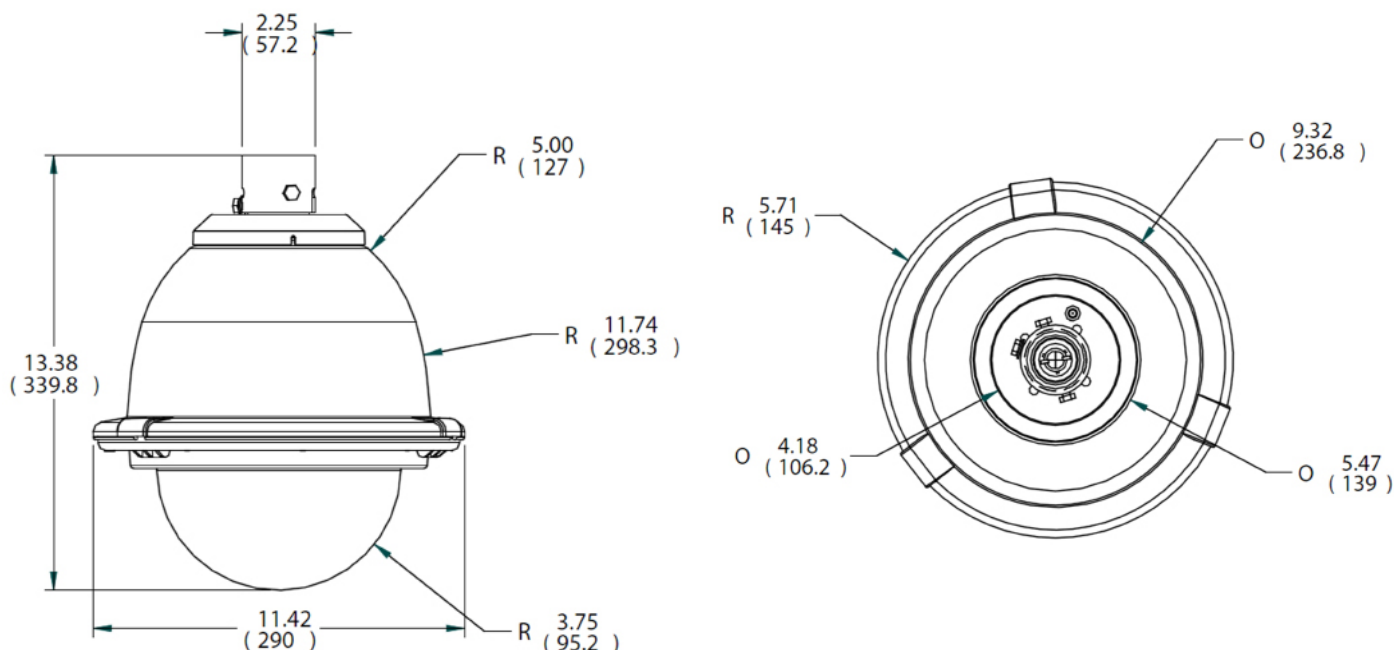
Description

- High-Speed Dome, Outdoor, Pressurized Hsg, 35x Opt. Zoom, Analog, NTSC
- High-Speed Dome, Outdoor, Pressurized Hsg, 35x Opt. Zoom, Analog, PAL
- Power Supply, 230 VAC to 24VAC, Tinned Leads, 3.0A, Outdoor (IP66)
- Power Supply, 110 VAC to 24VAC, Tinned Leads, 3.0A, Outdoor (IP66)
- Mini wall mount for HD-series
- Gooseneck tube
- Corner plate, compatible with WM01A and WM03A
- Wall box mounting, compatible with WM01A and WM03A
- Pole thin direct mounting, compatible with WM01A and WM03A
- Pole wide direct mounting, compatible with WM01A and WM03A
- Pole thin box mounting, compatible with WM01A and WM03A
- Pole wide box mounting, compatible with WM01A and WM03A
- Swanneck tube
- 1-1/2" pipe thread adapter

HD11APRH

Technical specifications

Pressurized PTZ dome with D/N and WDR



Camera

Image sensor	1/4" CCD	
Optical zoom	35x	
Digital zoom	12x	
Resolution	NTSC	PAL
Effective pixels	380k	440k
Horizontal resolution	540 TVL	540 TVL
Electronic shutter	1~1/30k s.	1~1/30k s.

Synchronization	Internal/ line lock
Video output	1.0 Vpp/75Ω, BNC (gold-plated center pin)
S/N ratio	>50 dB (AGC off)
Minimum illumination	0.09Lux , 0.01Lux (b/w)
Focal length	3.5~119 mm
Focus mode	Auto/ manual
White balance	Auto/ manual
Iris control	Auto/ manual
AGC control	Auto/ manual
Backlight Compensation	On/ Off

Functions

Day/ Night (IR-cut filter)	On/ Off
Digital slow shutter	On/ Off
Electronic image stabilizer	On/ Off
Wide Dynamic Range	On/ Off (Ratio/Shutter/Iris levels 0-128)
Privacy masks	8 (Black/White/Mosaic (3 levels))
PTZ coordinate data	Via Pelco-D
Directional OSD	Compass direction, Azimuth, Elevation

Contact Closures

Inputs	2 (1 general, 1 low pressure)
Reactions	Preset, Sequence, Auto pan, Cruise

Network

Interface	RS-485
Protocol	Pelco-D (BI-Directional), Pelco-P, Kalatel, Philips, AD422

Pan/Tilt

Pan travel	360° continuous
Tilt travel	-10°~190°
Preset speed	400°/s
Manual speed	0.5°~90°/s
Presets	256 presets
Preset accuracy	+/- 0.100°
Cruise	8
Sequence	8
Auto pan	4
Proportional pan and tilt	On/ Off
Resume after power loss	Yes
Zone title	16
Home function	Preset, Sequence, Auto pan, Cruise
Auto flip	Digital/ Mechanical/ Off

Mechanical

Dimension (h x w x d)	366 x 285 x Ø285 mm (14.4 x 11.2 x Ø11.2 in)
Weight	5 kg (11 lbs.)
Color	White/Black

Materials

Housing	Polycarbonate, glass-filled
Bubble	Clear, Polycarbonate 0.115" thick

Environmental

Operating temperature	Continuous -45° C to +50° C (-49° F to +122° F) 60° C maximum
Operating humidity	Up to 100%
Heater activation	15° C - 27° C (60° F - 80° F)
Ingress protection	IP67
Effective projected area	~0.12 m ²

Powering

Power consumption	80W
Power	24VAC



The quality management system utilized in the development, production, sales and support of this product is ISO 9001:2008 certified by LRQA.

© Siquira Version: August 2011 V2.0 (Second Edition) – Subject to modification



member of the TKH Group