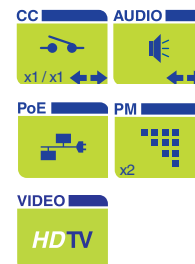


Features

- Multiple Resolutions: 1080p/720p
- 1/3" Progressive scan CMOS Imager
- Dual stream of H.264 and MJPEG video
- ONVIF compliant
- Two-way audio
- Day/Night (IR Cut-filter)
- 3.3 - 12 mm Varifocal, F1.4 auto iris lens
- 3-Axis full rotational Camera Mount
- IP66 Ingress Rating
- 24VAC/12VDC/802.3af PoE
- Contact closures (alarms) - 1 output, 1 input



Description

The Siquira® FD62 is a fixed-dome network camera in a vandal-resistant dome housing. The modular snap-in chassis makes the FD62 the easiest dome camera to install, for both indoor and outdoor applications.

Multi-stream High Definition

The FD62 has dual-stream capability for simultaneous streaming of H.264 and MJPEG video or dual stream H.264, and can provide dual streaming 720p full frame rate High Definition video with both H.264 and MJPEG streams simultaneously or a single stream 1080p in either H.264 or MJPEG. Multiple combinations of resolution and frame rate can be configured to satisfy different live viewing and recording scenarios.

Open Standards

Multiple options are available to easily integrate the FD62 to a video management system. In support of open standards, the FD62 is compliant to the ONVIF 1.0 specification in addition to our own Open Streaming Architecture's (OSA) HTTP API.

Day/Night

Under poor lighting conditions, this camera automatically becomes infrared-sensitive by removing the IR-cut filter. This day/night feature ensures that even in minimal light the camera still produces clear images.

Power Source Choices

The FD62 can be powered by 12 VDC or 24 VAC (terminal block) or over the network with 802.3af compliant Power-over-Ethernet sources.

Privacy Masks

Privacy Masks cover sections of the image. This feature is often requested for situations such as city center surveillance and point of sale keypads.

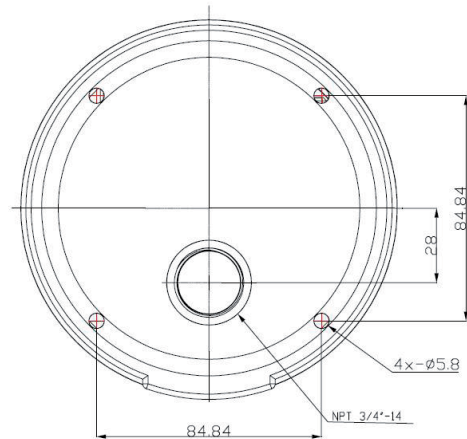
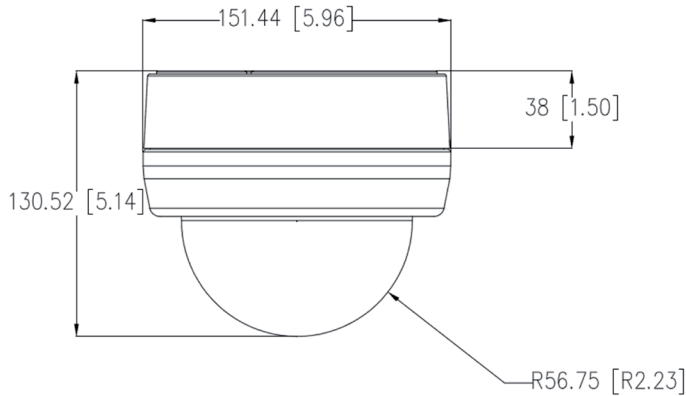
Ordering Information

Model	Description
FD62	Network fixed-dome camera, 1080p CMOS, H.264/MJPEG
PA03 /EU	Power Supply, 230 VAC to 24VAC, Tinned Leads, 3.0A, Outdoor (IP66)
PA03 /US	Power Supply, 110 VAC to 24VAC, Tinned Leads, 3.0A, Outdoor (IP66)
WM02/FD6	Indoor/Outdoor Tube adaptor / Pendant Mount
CM06	Flush mount kit
DC16FD	Smoked Bubble accessory

FD62

Technical specifications

IP high-definition fixed-dome camera with day/night



Camera

Image sensor	1/2.5" CMOS (2592x1944)	
Image output	1/3" effective (1920x1080)	
Progressive scan	Yes	
Video Streaming	Simultaneous H.264+MJPEG	
Resolution/Frame Rate	H.264	MJPEG
Single stream	1920x1080@25/30fps	1920x1080@25/30fps
Dual Stream	720p@25/30fps	720p/D1/CIF@ 25/30fps
Video Compression	H.264 Main Profile/MJPEG	
Minimum illumination	0.6 lux color, 0.2lux B/W @F1.2	
Shutter speed	1 ~ 1/10000 s	
Signal-to-noise Ratio	>40dB	
Lens type	Auto iris	
Lens	3.3~12 mm, F1.4	
Analog output*	BNC (1.0 Vp-p)	

Image Control

Brightness	Manual
Exposure	Auto/Manual
Sharpness	Manual
Contrast	Manual
AGC	Auto
White balance	Auto/Manual
Saturation	Manual
Hue	Manual
Rotation	Flip, mirror, and 180° rotate

Functions

Motion detection	On/Off (10 zones)
Privacy masks	2
On-screen display	Date, Time, Title (20 characters)
Local recording	Continuous, Scheduled, Alarm

* BNC output is not available when dual streaming

Audio

Bi-directional
Compression

Line out, Line in/Microphone in
G711/G726

Storage

Micro SD card, 32 GB

Contact Closures

Input
Output
Connector

5V 10 kΩ pull-up input
Photocoupler transistor output
4-pin terminal block, pitch 3.5 mm

Network

Interface
Protocol

10/100 Ethernet (RJ-45)
TCP/IP, UDP, RTP, RTSP, HTTP, ICMP,
FTP, SMTP, DHCP, NTP, PPPoE, UPnP,
and IGMP

Password levels
Internet browser
User accounts

User and administrator
Internet Explorer (6.0+)
20

Mechanical

Dimension
Weight
Color
Connectors
Shell/Lid material
Bubble
Cover screws
Impact rating

Ø151.4 x 130 mm (Ø5.96 x 5.14 in.)
1 kg (2.2 lbs)
RAL-9003
RJ-45, BNC
Aluminum
Polycarbonate
Security torx head
exceeds IK10

Environmental

Operating Temperature
Relative Humidity

-40°C to +50°C (-40°F to +122°F)
10-90% as long as there is no
condensation

Powering

Power consumption
Power

4.5W, 22W with heater/fan (no PoE)
12VDC/ 24VAC/ 802.3af Power-over-
Ethernet

Power connector
Power adapter (included)

3-pin terminal block
110-230VAC to 12VDC, 1.5A 50/60Hz



The quality management system utilized in the development, production, sales and support of this product is ISO 9001:2008 certified by LRQA.

© Siqura Version: June 2011 V1.5 (First Edition) – Subject to modification



member of the TKH Group