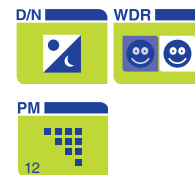


## Features

- 1/3" Pixim DPS Seawolf Imager
- Day/Night with IR-cut filter
- Super Wide Dynamic Range
- Back Light Compensation
- Alarm input
- Focus assistant
- 12 Privacy Masks
- UTC Menu Controller
- Power Input 12VDC/24VAC



## Description

The Siqura® BC14WDR box camera provides superior low light performance and wide dynamic range.

### Image Control

The Pixim Seawolf image sensor provides the Siqura® BC14WDR with top-of-the-line wide dynamic range (WDR) capability as well as 690 HTVL effective resolution. Additionally, this sensor does not smear, bloom or generate color noise like older analog CCD image sensors. This makes the BC14WDR ideal for applications using video analytics algorithms, such as automatic incident detection (AID). Video codecs can take advantage of its progressive scan output for smooth motion video without the need for de-interlacing.

### Power Source Choices

The BC14WDR camera can be powered by 12VDC or 24VAC (terminal block).

### Privacy Masks

Privacy masks cover sections of the image. This feature is often requested for such situations as city center surveillance and point of sale keypads.

### Siqura Surveillance Solutions

The Siqura® BC14 is part of Siqura, a complete collection of surveillance equipment and solutions. Siqura offers video codecs/servers, IP cameras, video management, network storage, and configuration software.

## Ordering Information

### Model

Siqura BC14WDR  
PA01 /EU  
PA01 /US  
PA01 /UK  
PSA-UN12DC w Ferrules

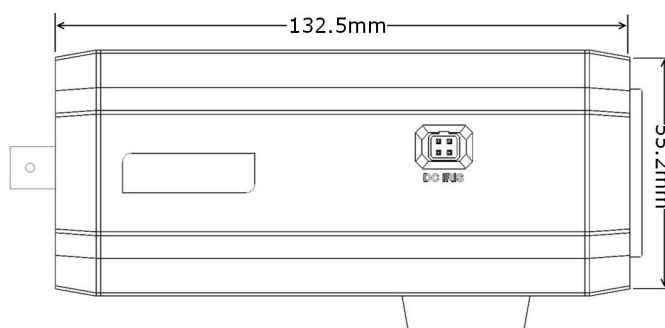
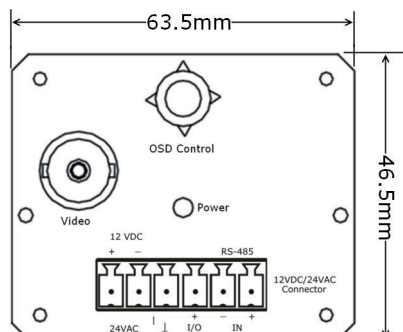
### Description

Analog Box Camera, Super WDR, 690HTVLE  
Power Supply, 230 VAC, EU plug to 24VAC, Tinned Leads, 1.5A, Indoor  
Power Supply, 110 VAC, US plug to 24VAC, Tinned Leads, 1.5A, Indoor  
Power Supply, 230 VAC, UK plug to 24VAC, Tinned Leads, 1.5A, Indoor  
Power Adapter, 110-230VAC, 60/50hz to 12VDC, 1.5A, ferrules, with US/EU/UK plug adapters

# BC14WDR

## Technical specifications

# Analog Box Camera with Super WDR



### Camera

Image sensor	1/3" CMOS (Pixim seawolf)	
Video standard	NTSC/PAL (selectable)	
Resolution	NTSC	PAL
Active pixel count	720 (H) x 540 (V)	720 (H) x 540 (V)
Horizontal resolution	690 HTVLE	690 HTVLE

Global shutter	1/30 (1/25) ~ 1/30,720 auto
Output mode	Interlaced or Progressive
Video output	1.0 Vpp/75Ω, BNC
S/N ratio	>50 dB
Dynamic range	102 dB typ; 120 db max
Minimum illumination	0.1 lux color, 0.05 lux B/W, f1.2, 50 IRE
Auto white balance	ATW, AWB (2000-11000k)
Noise reduction	3D motion adaptive
AGC control	On/Off (0-50dB gain selectable)
Backlight compensation	Yes
Flicker reduction	On (Pixim EFR)/Off

### Functions

Day/ Night (IR-cut filter)	Auto/manual/GPIO
Digital slow shutter	2x- 32x
Focus Assistant	
Wide Dynamic Range	Configurable
Metering zones	4 predefined
Privacy zones	12
Image Rotation	None/180 deg
Text Overlay	24 character, selectable position

### Contact Closures

Input/Output	1 GPIO
Connectors	Removable Plug Connector

### Data

Serial port	RS485 2-wire (for remote menu control)
-------------	--

### Environmental

Operating temperature	Continuous 0°C to +50°C (+32°F to +122°F)
-----------------------	---

### Mechanical

Dimension (h x w x d)	63.8mm x 64mm x 150mm (2.51 in x 2.52 in x 5.90 in.)
Color	Black/Gray
Connectors	BNC
Remote control	RS-485, multi-drop; camera ID ; Up-the-Coax controller

### Powering

Power consumption	<3W
Power	12VDC/24VAc
Power connector	Removable Plug Connector



The quality management system utilized in the development, production, sales and support of this product is ISO 9001:2008 certified by LRQA.

© Siquira Version: April 2011 V1.5 (First Edition) – Subject to modification



member of the TKH Group