

Siqura BC12

Features

- Box-shaped camera for high-resolution pictures
- Backlight compensation for difficult lighting situations
- Auto day/night for low light conditions
- Flickerless control



Description

The Siqura® BC12 is a traditional box camera providing high-resolution (520 TVL) pictures.

Backlight Compensation

In situations where the observed object is unclear due to being under- or overlit (such as in a hallway entrance with many windows), backlight compensation improves image exposure by using the light near the object as a reference.

Flickerless Control

Flickerless control eliminates the flicker caused by the differences between the frequencies (60 Hz) of the ionization of the gas in a fluorescent light bulb with that of the vertical frequency (59.95 Hz) in the camera. Although the difference is very small, it results in a slight flicker at the top of the monitor scene or, in video over IP applications, it would be interpreted as motion. Flickerless control therefore contributes to the reduction of the file size and transfer bit rates of compressed video images.

Day/Night

Under poor lighting conditions, this camera automatically becomes infrared sensitive by removing the IR-cut filter. This feature ensures that even in minimal light, the camera still produces clear images.

Siqura Surveillance Solutions

The Siqura® BC12 is part of Siqura, a complete collection of surveillance equipment and solutions. Siqura offers video codecs/servers, IP cameras, video management, network storage, and configuration software.

Ordering information

Model	Description	NTSC/PAL
Siqura BC12 /N	Box camera, 520 TVL, day/night	NTSC
Siqura BC12 /P	Box camera, 520 TVL, day/night	PAL

Siqura BC12

Technical Specifications

Camera

Image sensor	1/3" Super HAD CCD	
Scanning system	NTSC	PAL
Effective pixels	380k	440k
Horizontal resolution	520 TVL	520TVL
Synchronization	Internal	
Video output	1.0 Vpp/75Ω, BNC	
S/N Ratio	>50 dB (AGC off)	
Minimum illumination	0.2 lux, 0.03 lux (B/W) @ F1.2	
Shutter speed	1/60 ~ 1/100k s	
Lens mounting*	CS Mount	

Image Control

White balance	Auto Tracking White Balance (ATW)
Exposure	On/ Off
Flickerless control	On/ Off
Backlight compensation	On/ Off
Mirror	On/ Off

Functions

Day/ Night (IR-cut filter)	On/ Off
----------------------------	---------

Mechanical

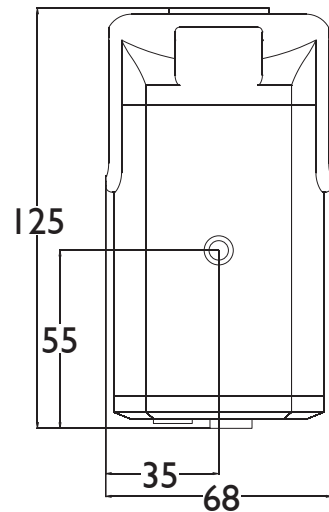
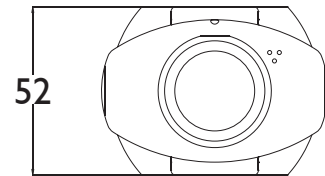
Dimension (h x w x d)	5.51 x 2.68 x 2.1 in. (140 x 68 x 52 mm)
Weight	5.09 oz. (145g)
Color	RAL-9003 (Signal White)

Environmental

Operating Temperature	+32°F to +122°F (0°C to +50°C)
-----------------------	-----------------------------------

Powering

Power consumption	2W
Power	12 VDC, 24 VAC
Power connector	Terminal block



* Lens, bracket, and power adapter are not included

Ordering Information Accessories

Model	Description
Siqura WM04	Wall bracket for indoor BC series
Siqura VL01	Varifocal lens, 1/3", 1.8-3.6 mm, f1.6, DC auto iris
Siqura VL11	Varifocal lens, 1/3", 2.9-8.2 mm, f1.0, DC auto iris
Siqura VL12	Varifocal lens, 1/3", 2.9-8.2 mm, f1.0, DC auto iris, IR-corrected
Siqura VL22	Varifocal lens, 1/3", 2.8-12 mm, f1.3, DC auto iris, IR-corrected
Siqura VL23	Varifocal lens, 1/3", 2.8-12 mm, f1.3, DC auto iris, IR-corrected, megapixel
Siqura VL31	Varifocal lens, 1/3", 8.5-40 mm, f1.3, DC auto iris, IR-corrected
Siqura PA05 /EU	12V power adapter for BC12 and network cameras BC2x with EU power plug and terminal block.
Siqura PA05 /US	12V power adapter for BC12 and network cameras BC2x with US power plug and terminal block.
Siqura PA05 /UK	12V power adapter for BC12 and network cameras BC2x with UK power plug and terminal block.