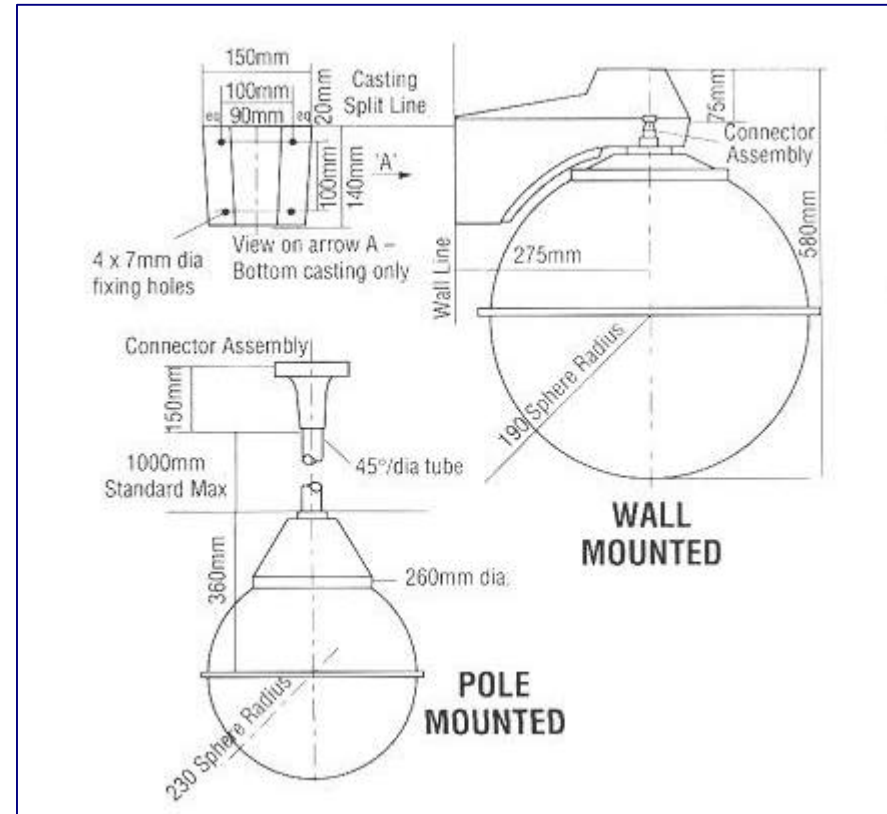
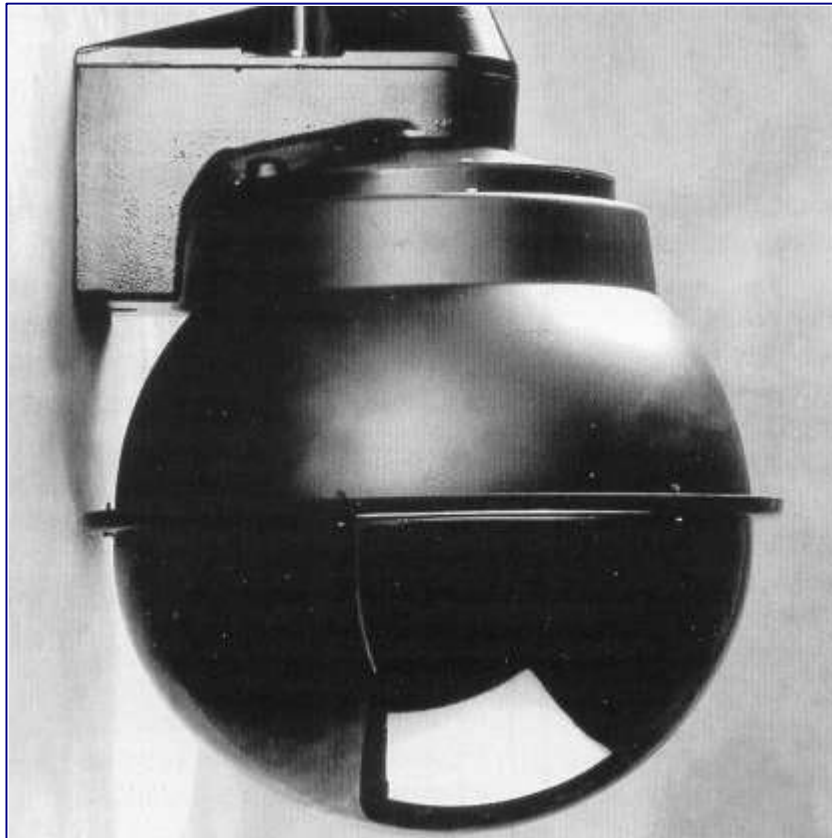


[[Up](#)] [[Video over GSM: OCTV](#)] [[Remote Sentinel](#)] [[Pan & Tilt Heads](#)] [[External Domes](#)] [[Internal Domes](#)] [[Camera Housings](#)]
 [[Housing Accessories](#)] [[IR Illuminators](#)] [[Electronic Products](#)] [[Flameproof Range](#)] [[Brackets](#)]

INTERNAL SURVEILLANCE DOMES - MARQUIS 212, 215 & 218



The Marquis range of surveillance domes is designed to satisfy the increasing demand for discreet internal surveillance. Specified most frequently for retail and commercial premises, it is essential that a range of product options are available to meet any combination of technical requirements. Such a choice of options are available from the Marquis range, providing the optimum opportunity to meet all specifications.

FEATURE	MARQUIS DC	MARQUIS AC
Construction	Injection moulded main structure with zinc plated mild steel and black anodised aluminium components	Injection moulded main structure with zinc plated mild steel and black anodised aluminium components
Motors	Ironless rotor	Permanent magnet synchronous
Gearing	All steel precision gearbox with injection moulded final reduction gear for quiet operation	All steel precision gearbox with injection moulded final reduction gear for quiet operation
Pan Speed	0-110° per second	13° per second
Tilt Speed	0-20° per second	5° per second std.
Backlash	Better than 0.2°	Better than 0.2°
Pan Angle	±180° or continuous	±180° or continuous
Tilt Angle	90°	90°
Limit Adjustment	Internal adjustment, accessible with camera installed	Internal adjustment, accessible with camera installed
Mounting Details	4 x M6 threaded holes on 66mm PCD	4 x M6 threaded holes on 66mm PCD
Weight	~6 kg (excluding brackets)	~6 kg (excluding brackets)
Operating Temperature	-20°C to +50°C	-20°C to +50°C

- Attractive appearance with a black hemisphere for discreet surveillance
- High and variable speed versions for optimum response to alarm and user control
- Superb high quality 'design and build' for sustained trouble-free operation
- Maximum flexibility with a wide range of speed, voltage and special function options
- Unique design ensuring simple installation procedure
- Heavy duty sealed ballbearings providing exceptionally smooth movement
- Injection moulded main structure, giving lightness with rigidity and strength
- Full two year warranty (one year for units with autopan or continuous rotation)
- Continuous rotation
- Standard or heavy duty presets
- Autopan
- Pole, wall or false ceiling tile mounting kits
- Choice of voltages 12vDC to 240vAC
- Colour options to specification

[[Up](#)] [[Video over GSM: OCTV](#)] [[Remote Sentinel](#)] [[Pan & Tilt Heads](#)] [[External Domes](#)] [[Internal Domes](#)] [[Camera Housings](#)] [[Housing Accessories](#)] [[IR Illuminators](#)] [[Electronic Products](#)] [[Flameproof Range](#)] [[Brackets](#)]

email [Shawley Webmaster](#) with questions or comments about this site.