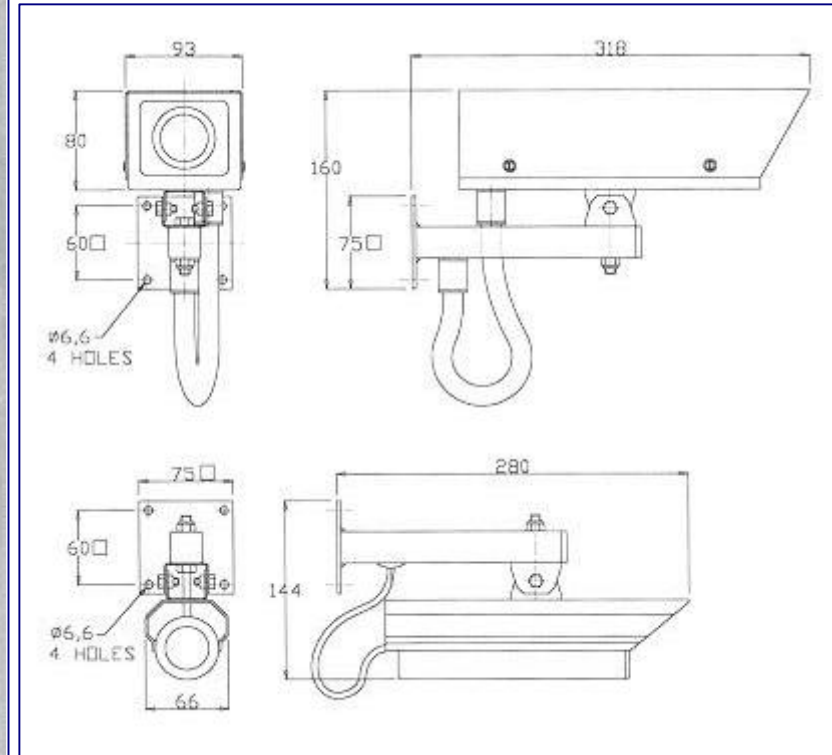
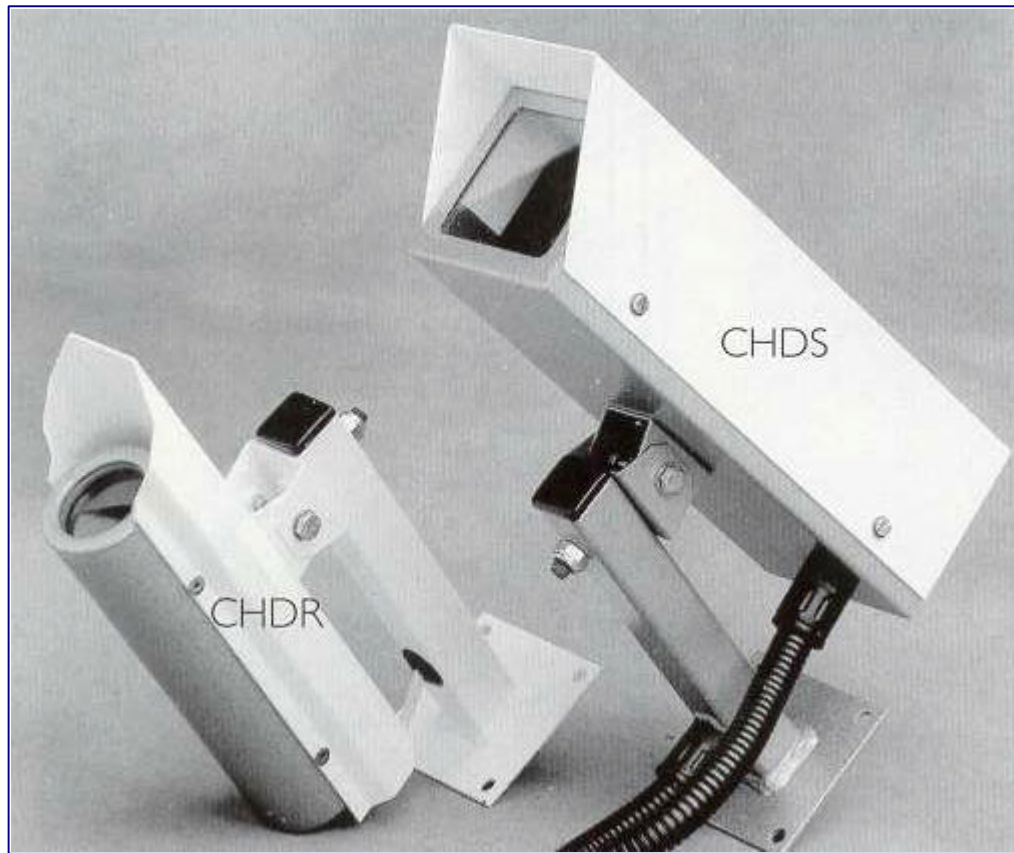


[[Up](#)] [[CH9, CH10 & CH11](#)] [[CH8, CH12, CH13 & CH14](#)] [[CH15 & CH16](#)] [[Extruded Housings](#)] [[Internal Housings](#)] [[Dummy Housings](#)]

DUMMY CAMERA HOUSINGS - CHDS & CHDR



The **Shawley** CHD dummy housing range is designed and manufactured to the same quality standards as all **Shawley** products. They are aesthetically designed to suit internal and external applications. With realism and the look of authenticity **Shawley** dummy housings are available in either modern cylindrical or more conventional square cross-section design. The housings come complete with matching adjustable brackets, cable glands and cabling.

They are manufactured from 16 gauge aluminium with durable oyster hammer and white powder coat finish as standard, however colour options are available to match your specification.

[[Up](#)] [[CH9, CH10 & CH11](#)] [[CH8, CH12, CH13 & CH14](#)] [[CH15 & CH16](#)] [[Extruded Housings](#)] [[Internal Housings](#)] [[Dummy Housings](#)]

email [Shawley Webmaster](#) with questions or comments about this site.