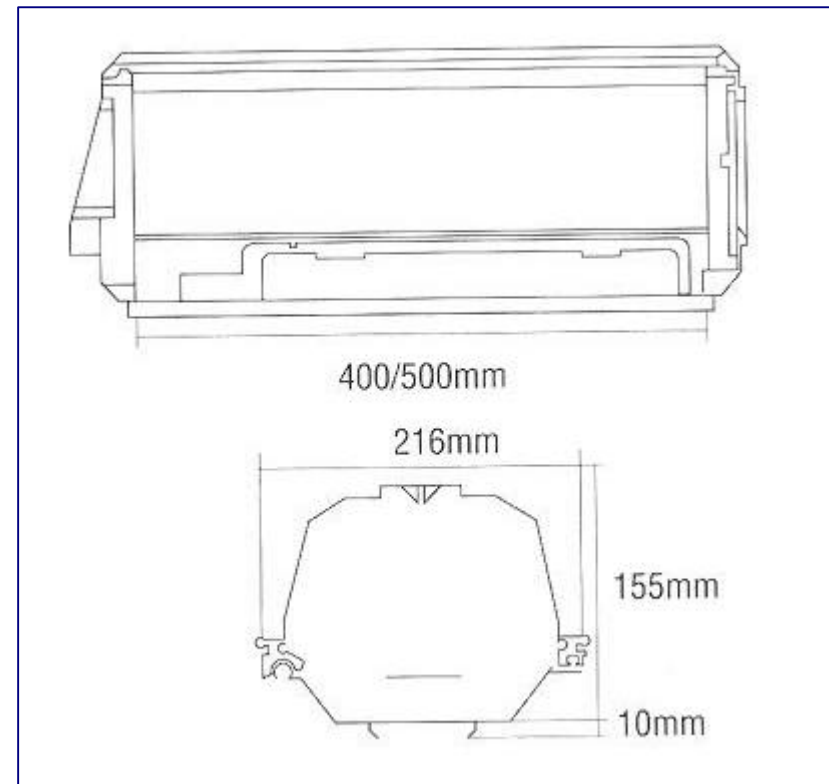
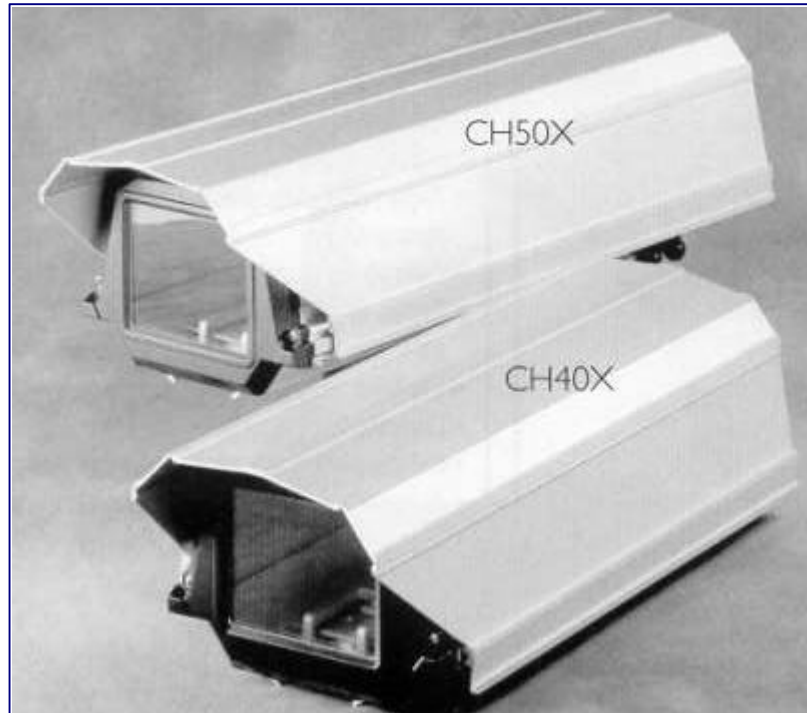


[[Up](#)] [[CH9, CH10 & CH11](#)] [[CH8, CH12, CH13 & CH14](#)] [[CH15 & CH16](#)] [[Extruded Housings](#)] [[Internal Housings](#)] [[Dummy Housings](#)]

EXTRUDED CAMERA HOUSINGS - CH40X & CH50X



Shawley's extruded aluminium housings have been designed with an eye for aesthetics, whilst the hinged sunshield and hood allows complete access to camera and lens assembly. The central body is manufactured in extruded anodised aluminium with die-cast aluminium end caps finished with black polyester.

- Laminated window
 - Bolt-on external wiper facility
 - Hinged hood
 - Heater/demister and thermostat
 - Cable access provided by PG9 nylon glands
 - Central body made of extruded anodised aluminium
 - End caps are cast aluminium finished with black polyester
 - Side opening system designed for easier installation and maintenance
 - Camera plate equipped with slot to allow the widest range of camera positions
 - Layer of foam rubber and 1/4" w screw with insulating gasket guarantee fastening and insulation of camera
- Operating voltages from 12v DC to 240v AC

[[Up](#)] [[CH9, CH10 & CH11](#)] [[CH8, CH12, CH13 & CH14](#)] [[CH15 & CH16](#)] [[Extruded Housings](#)] [[Internal Housings](#)] [[Dummy Housings](#)]

email Shawley Webmaster with questions or comments about this site.