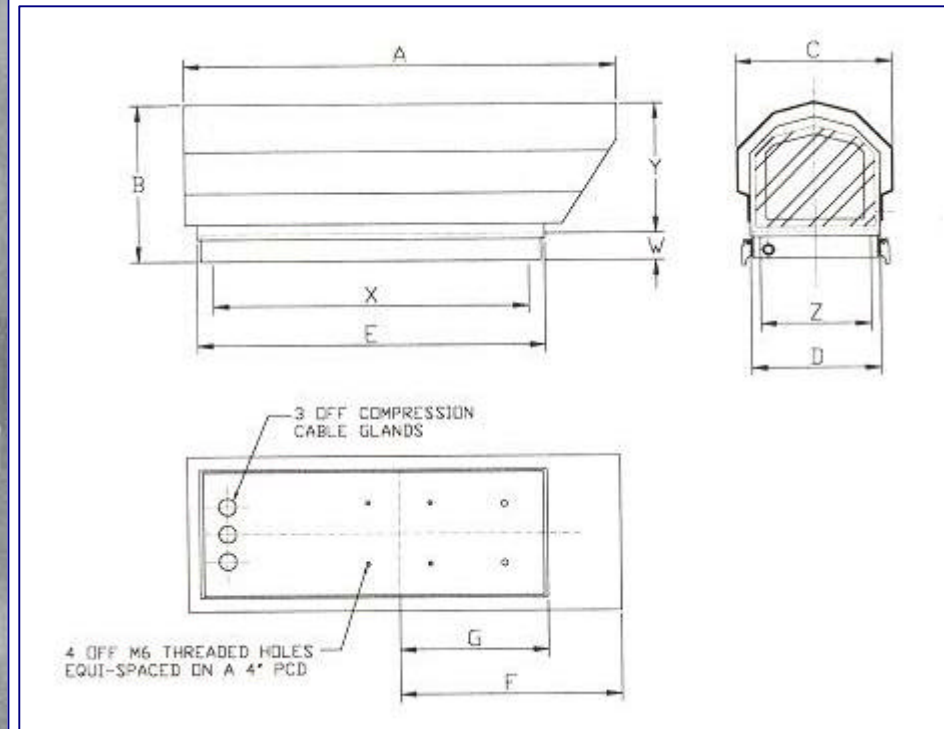
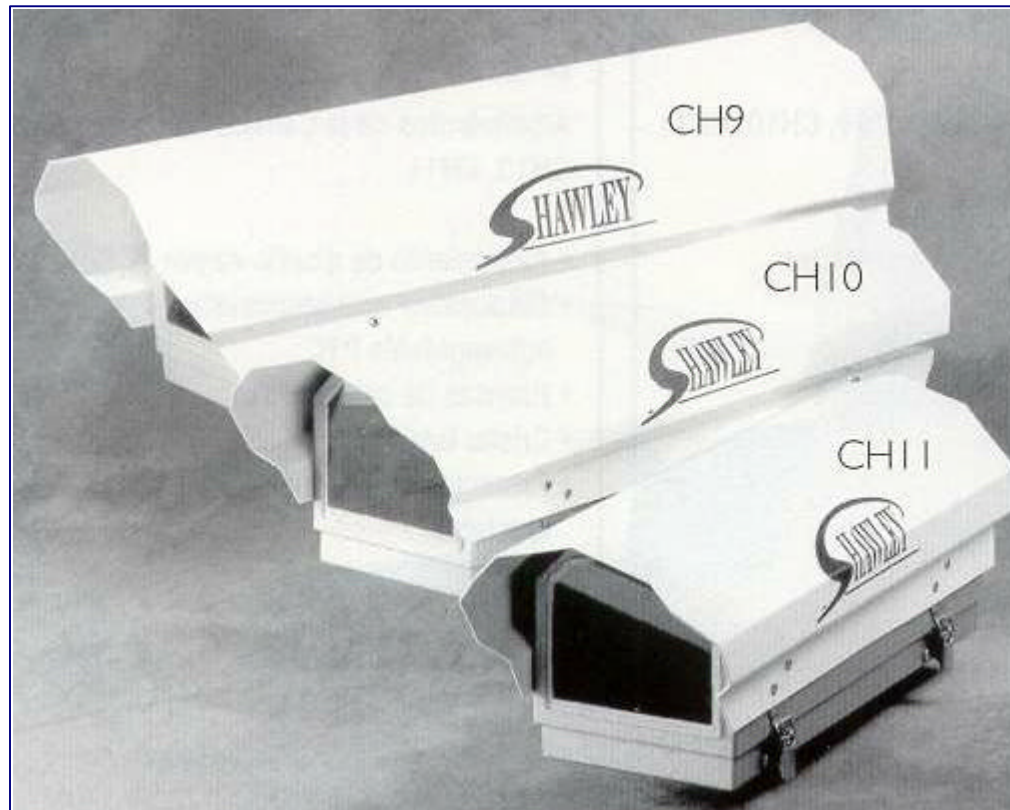


[ [Up](#) ] [ [CH9, CH10 & CH11](#) ] [ [CH8, CH12, CH13 & CH14](#) ] [ [CH15 & CH16](#) ] [ [Extruded Housings](#) ] [ [Internal Housings](#) ] [ [Dummy Housings](#) ]

## CAMERA HOUSINGS - CH9, CH10 & CH11



The CH9, CH10 and CH11 camera housings have been designed to supplement the CH range with a stylish alternative. Manufactured to the same high standards of all **Shawley** equipment, they come complete with IP66 rating, demister/heater, compression glands, laminated glass, sunshield and adjustable camera platform. The units are built as 240vAC standard, but other voltages are available on request. As with all the CH range of housings, integral wipers can be fitted.

Dimensions in mm	CH9	CH10	CH11
A	660	632	500
B	217	180	180
C	228	188	188
D	200	150	150
E	563	530	400
F	345	375	290
G	245	285	200
W	32	32	32
X	555	522	401
Y	151	120	120
Z	187	146	146
<b>Weight</b>	4 kg	3.5 kg	3 kg
<b>Heater / demister power</b>	75 W	35 W	35 W
<b>Recommended wall bracket</b>	WB15	WD4U	WD4U
<b>Recommended swivel mount</b>	SM2	SM1	SM
<b>Heavy duty option</b>	+SM2	WB/FP +SM2	+SM2
<b>Heater</b>	Self regulating PTC type	Self regulating PTC type	Self regulating PTC type
<b>Operating voltages</b>	Standard: AC 220v Optional: AC 110v/24v DC 12v/24v	Standard: AC 220v Optional: AC 110v/24v DC 12v/24v	Standard: AC 220v Optional: AC 110v/24v DC 12v/24v

- Box tray format providing rigidity, adjustable platform for lens and camera mounting
- Laminated lens window
- Stainless steel external fittings for durability
- Quick release hood for easy access
- Full length sunshield
- Heater and demister
- Three cable glands fitted as standard
- Full two year warranty
- Operating voltages from 12v DC to 240v AC
- Paint finish to customer specification
- Lexon window, safety chains and security fittings
- Internal wiper
- Extended sunshield
- Bolt on wiper facility

[ [Up](#) ] [ [CH9, CH10 & CH11](#) ] [ [CH8, CH12, CH13 & CH14](#) ] [ [CH15 & CH16](#) ] [ [Extruded Housings](#) ] [ [Internal Housings](#) ] [ [Dummy Housings](#) ]

email [Shawley Webmaster](#) with questions or comments about this site.