

TVF2.4X2513IR-BCD

SENKO/ADL

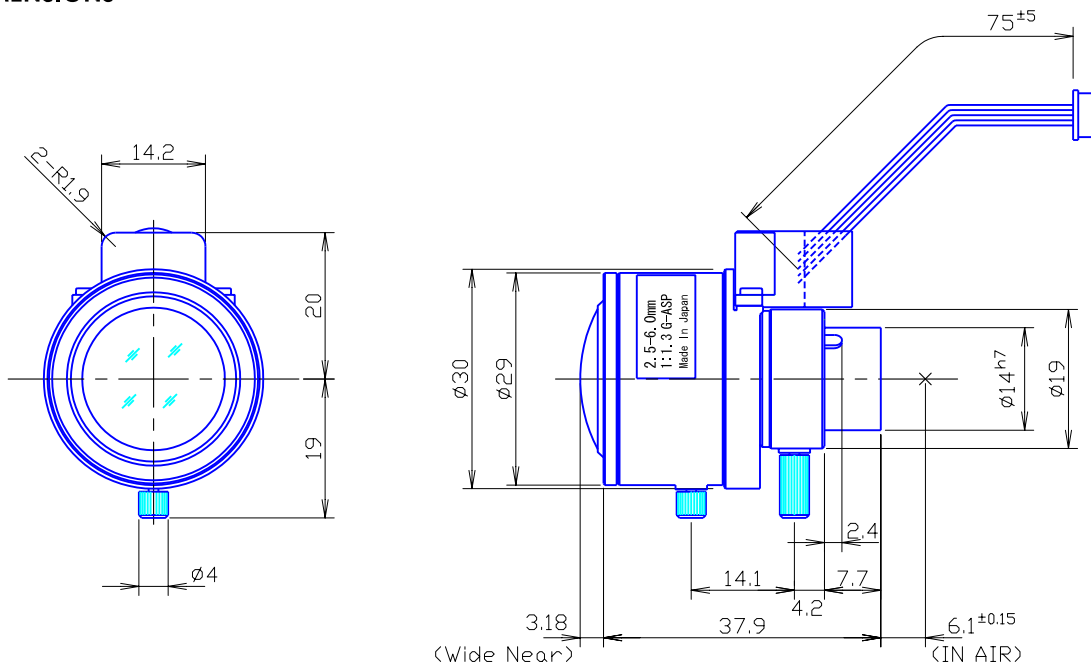
Type	AI VARI		Mount	ø14 Straight Mount
Focal Length	2.5~6.0mm		Back Focus	6.2~10.6mm
Fno.	F1.3		Mechanical Bf	6.1mm
Designed Image Format	1/3"(4.8x3.6mm)		Exit Pupil	-288.0 ~ -25.5mm
Operation Range	Iris	F1.3-F360	Filter Size	-
	Focus	0.15m~infinity	Aperture	Front ø18.9mm
	Zoom	2.5~6.0mm		Rear ø7.2mm
Control	Iris	DC Galvanometer	Dimension	ø29 x 37.9mm
	Focus	Manual		
	Zoom	Manual		
Object Size at MOD	Wide	134.5x220.9mm	Weight	27g
	Tele	51.2x 70.0mm		
Field of View	D	136.6°~59.4°	1/4"	_____
	H	108.2°~47.6°		
	V	80.4°~35.6°		
Control	Iris		Focus	Zoom
Driving Coil/Supply Volt.	190Ω		-	-
Damping Coil/Current	855Ω		-	-
Response Time	-		-	-
Potentiometer	-		-	-
Light Measuring Method	-		-	-
Input Signal	-		-	-
Iris Accuracy	-		-	-
Sensitivity Adjustment	-		-	-
Operating Temperature	-10~+50 Celsius		-	-

1/3"

FM

BCD

DIMENSIONS



Wiring Diagram

- 1) 4-pin Connector for Auto Iris
(Hirose : DF13-4S-1.25C Single Socket)

Yellow	Damping(+)
Orange	Damping(-)
Red	Driving (-)
Brown	Driving (+)