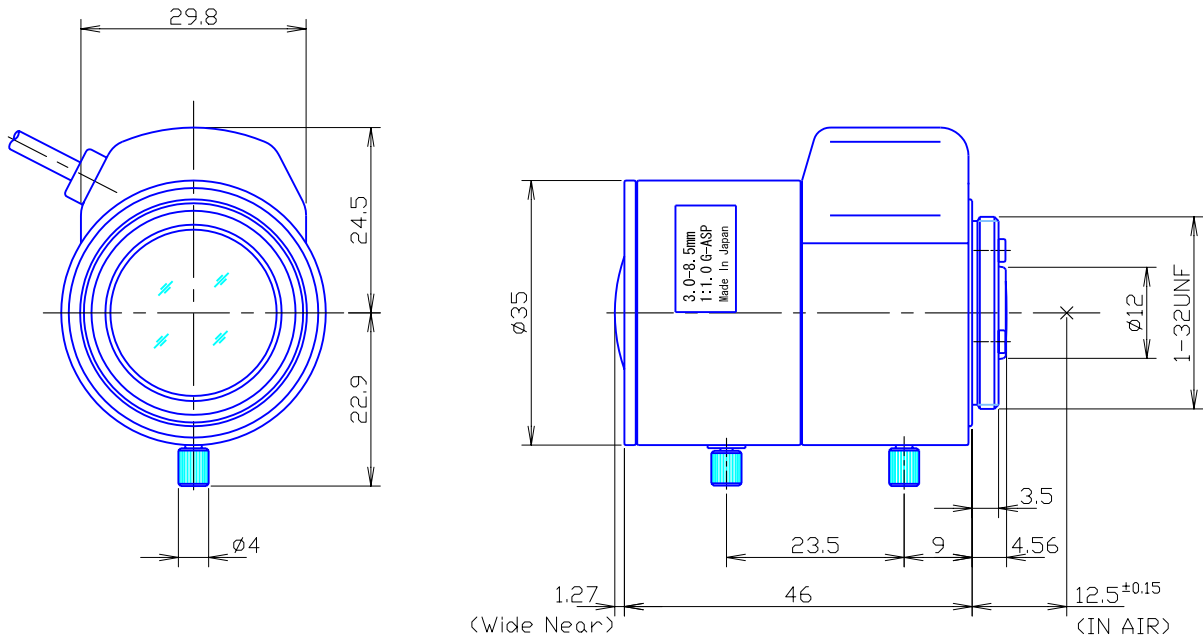


Type	AI VARI		Mount	CS		
Focal Length	3.0~8.5mm		Back Focus	7.94 ~ 13.96mm		
Fno.	F1.0		Mechanical Bf	7.94mm		
Designed Image Format	1/3"(4.8x3.6mm)		Exit Pupil	—		
Operation Range	Iris	F1.0~F360	Filter Size	—		
	Focus	0.2m ~ infinity	Aperture	Front	∅20.1mm	
	Zoom	3.0~8.5mm		Rear	∅9.0mm	
Control	Iris	DC Galvanometer	Dimension	35x47.4x46mm		
	Focus	Manual		Weight	—	
	Zoom	Manual			—	
Object Size at MOD	Wide	—				
	Tele	—				
Field of View	D	114.1°~41.9°	1/4"	84.6°~31.6°		
	H	90.5°~33.6°		67.2°~25.2°		
	V	67.2°~25.2°		50.2°~19.0°		
Control	Iris		Focus	Zoom		
Driving Coil/Supply Volt.	190Ω		—	—		
Damping Coil/Current	855Ω		—	—		
Response Time	—		—	—		
Potentiometer	—		—	—		
Light Measuring Method	—					
Input Signal	—					
Iris Accuracy	—					
Sensitivity Adjustment	—					
Operating Temperature	-10 ~ +50 Celsius					

1/3"
CS
CSD

DIMENSIONS



Wiring Diagram

1) 4 Pin Standard Connector for Auto Iris

Pin No.1	Damping (-)
2	Damping (+)
3	Driving (+)
4	Driving (-)

