

SANYO

1/3" Colour CCD Dome Camera

VCC-9615P

- 480 TV lines of horizontal resolution
- Compact design blends discreetly with interiors
- Easy-to-install high-performance type
- Manual pan, tilt and rotation mechanism
- Built-in varifocal lens with auto iris (f = 2.6 to 6.0 mm)
- Dual power operation (12V DC / 24V AC)

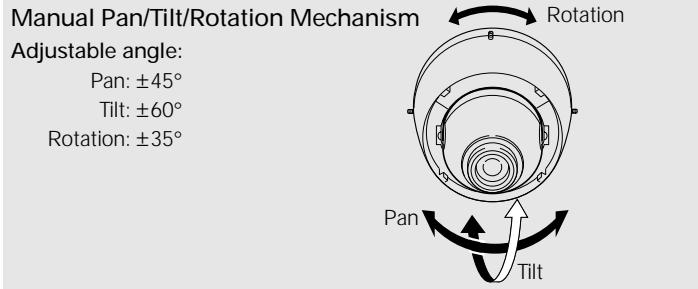
COMPACT, EASY TO INSTALL



VCC-9615P

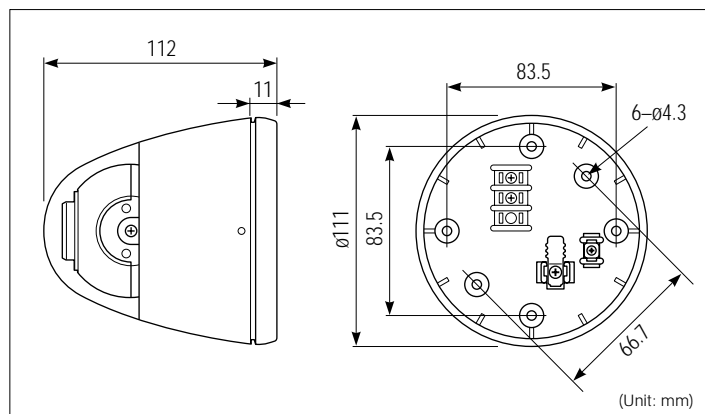
Features

- Compact design and a streamline silhouette**
 The compact design offers a streamline profile on a small mounting base circumference of 11.1 cm. The dome shape is suited to installation in restaurants, hotels, shops and other environments requiring an unobtrusive presence that won't compromise the decor.
- Simple installation and superior performance**
 Mounts easily on both walls and ceilings. Adjustment of the built-in varifocal lens and manual pan/tilt and rotation functions can be accomplished with ease at the point of surveillance.



- Interline transfer 1/3" CCD with approx. 470,000 picture elements
- Built-in varifocal type auto-iris lens (F1.6–2.3, $f = 2.6\text{--}6.0\text{ mm}$)
- More than 480 horizontal TV lines of resolution
- Backlight compensation via centre-focus photometry
- Operates on either 12V DC or 24V AC power supplies
- Compact size and unobtrusive design suitable for broad range of applications
- CCD solid-state image sensor ensures low smear, anti-blooming and low lag. Also prevents burning and geometric distortion
- No interference from electromagnetic fields

Dimensions



Specifications

Model No.	VCC-9615P
Scanning system	PAL standard 625 lines, 25 frames/sec
Image sensor	Colour interline transfer CCD
Picture elements	
Total	795 (H) x 596 (V)
Effective	752 (H) x 582 (V)
Image size	1/3" (4.8 x 3.6 mm)
Geometry	No geometric distortion
Synchronizing system	Internal
Resolution	Horizontal: 480 TV lines Vertical: 400 TV lines
Video output level	1.0 Vp-p (75 ohms, composite)
Video S/N ratio	More than 48 dB
Minimum illumination	Approx. 1.8 lx (at F1.6)
Gain control	Automatic
Aperture	Normal / High
Backlight compensation	BLC: ON / OFF, manual switching
Backlight level	LEVEL: VR
Colour adjustment (manual)	R: VR, B: VR
White balance	Automatic / Manual
Gamma correction	0.45, fixed
Lens	Varifocal (F1.6–2.3, $f = 2.6\text{--}6.0$), built-in
Manual adjustment range	
Angle of view (manual adjustment range)	
Horizontal	103–51°
Vertical	77–38°
Diagonal	128–64°
Iris	Mechanical auto iris
Connectors	Video out, Power, Monitor out
Environmental conditions (operating)	Temperature: -10 to $+50^\circ\text{C}$ Humidity: Within 90% RH
Power requirement	12–15V DC / 24V AC, 50Hz
Power consumption	Approx. 3.5 W
Dimensions	$\phi 111 \times 112$ (D) mm
Weight	Approx. 420 g

NOTE: Specifications subject to change without notice.

Optional Accessories (Sold Separately)

Smoked Lens Cover VCZ-90



In-Ceiling Mounting Bracket VA-DK01



AC Adaptors VCA-20E VCA-35E



DI Solutions Company of SANYO Electric Co., Ltd., obtained Quality Management System ISO 9001 and Environmental Management System ISO 14001 certifications.

Caution: Please consult the instruction manual to ensure safe and proper operation of the product.

Distributed by:

SANYO

SANYO Electric Co., Ltd.
www.sanyosecurity.com

©2003 SANYO Printed in Japan '03.6.MA.

SMS061