

SANYO

1/4" Colour CCD DSP Camera

- Built in DSP (digital signal processing) circuitry
- 350 TV lines of horizontal resolution
- High sensitivity, minimum illumination of 0.9 lux with F1.2 lens
- Multi-spot photometry backlight compensation (64-section)
- Internal sync. / Line lock
- 24 V AC and 12 V DC, dual power operation (VCC-4115P)
- 220 to 230V AC, 50 Hz operation (VCC-4110P)

VCC-4115P Colour PAL
VCC-4110P Colour PAL

DIGITAL

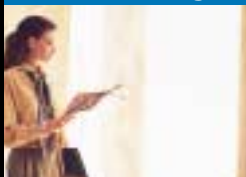


VCC-4115P



VCC-4110P

Backlight compensation



VCC-4115P / VCC-4110P



Conventional camera

A clear view of off-centre objects Intelligent backlight compensation

The screen is divided into 64 small areas in which luminous intensity is measured separately to determine the lighting conditions of all objects within the frame.

This new method provides a clear view of off-centre and moving objects that was not possible with conventional backlight compensation.

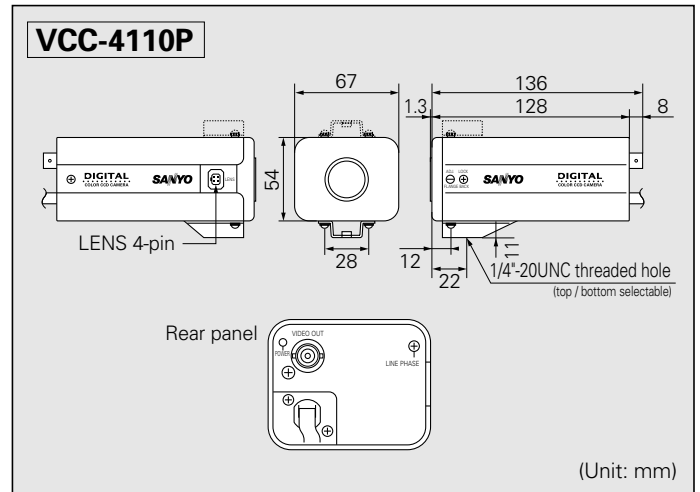
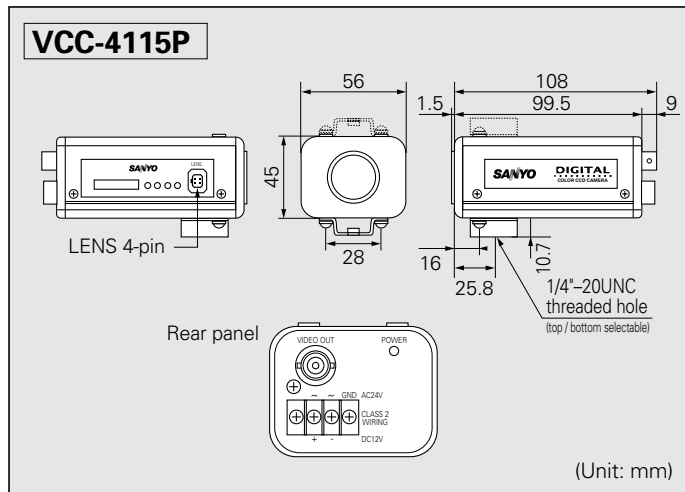
VCC-4115P / VCC-4110P PAL

A new built-in DSP circuit improves picture quality to offer a clear and bright picture.

- 1/4" CCD image sensor with approx. 320,000 picture elements
- High sensitivity, minimum required illumination of 0.9 lux with F1.2 lens
- More than 350 TV lines of horizontal resolution
- Multi-spot photometry backlight compensation (64-section)
- TTL auto tracing white-balance / Manual white-balance
- Electronic iris (indoor use)
- Internal sync. / Line lock
Internal sync and line lock sync are selected manually by slide switch.
- 24 V AC and 12 V DC, dual power operation (VCC-4115P)
- 220 to 230V AC, 50 Hz operation (VCC-4110P)

MODEL	VCC-4115P	VCC-4110P
Scanning system	PAL standard 625 lines, 25 frames/sec.	
Image sensor	1/4" (approx. 3.6 mm x 2.7 mm) interline transfer method CCD	
Picture elements	Total: 537(H) x 597(V), Effective: 500(H) x 582(V)	
Horizontal resolution	350 TV lines horizontally, 400 TV lines vertically	
Minimum illumination	Approx 0.9 lux (F1.2)	
Faceplate illumination	0.14 lux (F1.2)	
Video output level	1.0 V (p-p) (75 ohms, composite)	
Video S/N ratio	More than 52 dB	
Backlight compensation	ON / OFF — SW (side) ON = Multi-spot photometry (64-section) / Center focus photometry — Slide SW (side) (Activated when auto iris lens used)	
White-balance	TTL auto tracing white-balance / Manual — SW (side)	
Colour adjust. at manual	R, B — VR (side)	
Gain control	Automatic	
Light control	Optical auto iris lens / Electronic iris (indoor use)	
Lens mount	CS / C mount (C mount: using C-mount adaptor, sold separately)	
Flange back	12.5 mm ±0.5 mm adjustment	
Auto iris lens	DC	
Auto iris output	DC: Drive coil (+, -), Brake (Damp) coil (+, -)	
Lens iris level	LEVEL: L to H — VR (side)	
Electronic iris	ON / OFF — Slide SW (side)	
Electronic iris range	0.9 lux to 45,000 lux (F1.2)	
Synchronizing system	Internal sync. / Line lock — Slide SW (side)	
V phase adjustment	LINE PHASE — VR (side)	LINE PHASE — VR (rear)
Video signal	VIDEO OUT — BNC (rear)	
Auto iris lens	LENS — 4-pin (side)	
Sockets	24 V AC, GND — 3-pin terminal (rear) 12 to 15 V DC, GND — 2-pin terminal (rear)	
Environmental conditions	Temperature: -10°C to 50°C [14°F to 122°F], Humidity: within 90% RH Storage Temperature: -20°C to 70°C [-4°F to 158°F], Humidity: within 70% RH	
Power requirement	24 V AC, 50 Hz 12 to 15 V DC	220 to 230 V AC, 50 Hz
Power consumption (approx.)	2.8 W (with auto iris lens), 2.2 W (without auto iris lens)	To be announced
Camera mount	1/4"-20UNC (top / bottom selectable)	
Dimensions (approx.)	56(W) x 45(H) x 99.5(D) mm [2.2(W) x 1.77(H) x 3.92(D) in.] (without camera & lens mounts)	67(W) x 54(H) x 128(D) mm [2.64(W) x 2.13(H) x 5.04(D) in.] (without camera & lens mounts)
Weight (approx.)	280 g [9.9 oz.] (without lens)	620 g [21.9 oz.] (without lens)

* Specifications subject to change without notice



*** Caution:** please consult the instruction manual to ensure safe and proper operation of the product.

Distributed by:

SANYO

SANYO Electric Co., Ltd.
Video Imaging Systems Division
www.sanyosecurity.com
©2002 SANYO Printed in Japan '02.10. AP
SMS-050