



High Resolution!
High Durability!
12X Zoom!



SVD-4700

12x High Resolution Vandal-Resistant Dome Camera

- Clear horizontal resolution of 580TV lines (Ultra low light levels of 0.2Lux)
- Vandal resistant and weatherproof to IP66
- 12x optical zoom and powerful W-V DSP chipset features



Better Durability

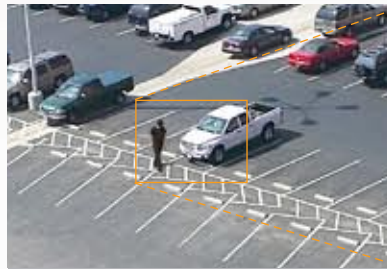
High Durability High Resolution
Vandal-Resistant Dome Camera

SVD-4700

Auto Focus 12x Motorized Zoom



The SVD-4700 uses an AF 12x motorized zoom to capture clear images of distant objects. The camera's built-in multiple languages OSD menu is intuitive and convenient to use, and an RS-485 connectivity enables remote connection to control the OSD menu.



Normal



Optical 12x Zoom



& Clearer Images



Equipped with the W-V DSP chipset and a powerful 12x zoom, the SVD-4700 high durability vandal-resistant dome camera delivers clear images with high resolution. In addition, the SSNR^{III} advanced noise reduction technology achieves noise-reduction images, even from areas that are very dark, enabling safe and accurate visual monitoring 24 hours a day.

Supreme Color Image Quality at 580TVL Resolution!



Thanks to the Samsung Techwin DSP W-V chipset, the SVD-4700 boasts stable and precise image processing, delivering high-quality images with a color resolution of 580TVL lines.



Conventional Camera



SVD-4700

Superb Anti-shock Design & Dust/Weatherproof



Encased in an aluminum die-cast chassis and polycarbonate dome cover, the SVD-4700 is extremely durable under impact - for example from hammering. It is also IP66-rated for dust and weatherproofing, making it ideal for both internal and external use.



SSNR^{III} (Samsung Super Noise Reduction)



The SVD-4700 ensures clear and sharp images in low lighting by eliminating "image noise" with its high performance W-V DSP chips.



Conventional Camera

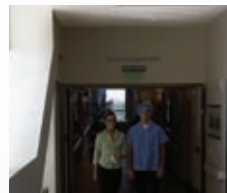


SVD-4700

SSDR (Samsung Super Dynamic Range)



Under backlit conditions, where there is a clear distinction between bright and dark areas, the SVD-4700 selectively brightens dark sections, ensuring virtually homogeneous brightness across the image.



SSDR Off



SSDR On

Samsung Techwin's Proprietary Technology WV DSP for High Resolution Monitoring

W-V, an embodiment of Samsung Techwin's commitment to technological development, is a fifth-generation DSP chipset that enables high resolution of 580TVL lines. Samsung Techwin packs quite a bit of technology into the small chip to deliver unmatched cost-effectiveness. The chip features SSNR^{III} "image noise" elimination using upgraded 2D/3D filtering to ensure clear images in the darkness, day & night, SSDR, HLC highlight backlight compensation, image stabilization, multiple language OSD and other high-end features.



12x High Resolution Vandal-Resistant Dome Camera

SVD-4700

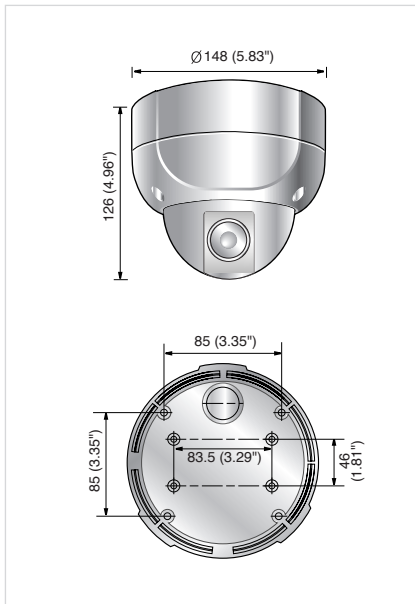


Specifications

	SVD-4700N (NTSC)	SVD-4700P (PAL)
ELECTRICAL		
Input Voltage	Dual (12V DC/ 24V AC)	
Power Consumption	Max. 4W	
VIDEO		
Imaging Device	1/4" Super HAD CCD	
Total Pixels	811(H) x 508(V)	795(H) x 596(V)
Effective Pixels	768(H) x 494(V)	752(H) x 582(V)
Scanning System	2 : 1 Interlace	
Synchronization	Internal / Line lock	
Frequency	H : 15.734KHz / V : 59.94Hz	H : 15.625KHz / V : 50Hz
Horizontal Resolution	Color : 580TV lines (Min.) / B/W : 700TV lines (Min.)	
Min. Illumination	Color : 0.2Lux (50IRE@F1.6), 0.0004Lux (Sens-up, 512x) B/W : 0.004Lux (50IRE@F1.6)	
S / N (Y signal)	52dB	
Video Output	CVBS : 1.0Vp-p / 75	
LENS		
Zoom Ratio	12x (Optical), 16x (Digital)	
Focal Length	3.94 ~ 46.05mm (F1.67 ~ 1.88)	
Max. Aperture Ratio	1 : 1.67(Wide) ~ 1.88(Tele)	
Min. Object Distance	1.8m (5.91ft)	
Angular Field of View	H : 51.54°(Wide) ~ 4.5°(Tele) / V : 39.24°(Wide) ~ 3.38°(Tele)	
Focus	Auto / Manual / One-push	
Iris Control	Auto / Manual	
PAN / TILT / ROTATE		
Pan Range	0° ~ 340°	
Tilt Range	0° ~ 146°	
Rotate Range	0° ~ 340°	
OPERATIONAL		
On Screen Display	Korean, English, Japanese, Spanish, French, Portuguese, Taiwanese	English, French, German, Spanish, Italian, Chinese, Russian, Polish, Czech, Romanian, Serbian, Swedish, Danish, Turkish, Portuguese
Camera Title	On / Off (Displayed 15 characters)	
Day & Night	Auto (ICR) / Color / B/W	
SSDR	On / Off (Level adjustable)	
Backlight Compensation	BLC / HLC / Off	
Motion Detection	On / Off (8 Programmable zones)	
Digital Image Stabilization	On / Off	
Privacy Masking	On / Off (12 Programmable zones)	
2D+3D Noise Filter (SSNRIII)	On / Off (Level adjustable)	
Sens-up (Frame Integration)	Auto / Off (Selectable 2x ~ 512x)	
Gain Control	Low / High / Off	
White Balance	AWC / Manual / Indoor / Outdoor / ATW (1,700°K ~ 11,000°K)	
Electronic Shutter Speed	Fixed (1/60 / Flickerless)	Fixed (1/50 / Flickerless)
Flip / Mirror	On / Off	
Communication	Coaxial (Protocol : Pelco Coaxitron), RS-485	
ENVIRONMENTAL		
Operating Temperature / Humidity	-10°C ~ +50°C (+14°F ~ +122°F) / 20% ~ 80% RH	
Storage Temperature / Humidity	-20°C ~ +60°C (-4°F ~ +140°F) / 20% ~ 95% RH	
MECHANICAL		
Dimension (WxH)	Ø148 x 126mm (Ø5.83" x 4.96")	
Weight	1.38Kg (3.04 lb)	
Ingress Protection	IP66	
Certifications	FCC (Class A), UL/cUL listed	CE (Class A), UL/cUL listed

Dimensions

Unit : mm (inch)



Accessories (Optional)



Design and specifications are subject to change without notice.



The Eco mark represents Samsung Techwin's will to create environment-friendly products, and indicates that the product satisfies the EU RoHS Directive.



SAMSUNG TECHWIN CO., LTD.

145-3, Sangdaewon 1-dong, Jungwon-gu, Seongnam-si, Gyeonggi-do Korea 462-703
Tel : +82-31-740-8151~8 Fax : +82-31-740-8145
www.samsungcctv.com

SAMSUNG TECHWIN AMERICA Inc.
1480 Charles Willard St. Carson, CA 90746, UNITED STATES
Tel Free : +1-877-213-1222 Fax : +1-310-632-2195
www.samsungcctvusa.com

SAMSUNG TECHWIN EUROPE CO., LTD.
Samsung House, 1000 Hillwood Drive, Hillwood Business Park
Chertsey, Surrey, UNITED KINGDOM KT16 0PS
Tel : +44-1932-45-5300 Fax : +44-1932-45-5325

TIANJIN SAMSUNG TECHWIN OPTO-ELECTRONICS CO., LTD.
No.11 Wei 6 Street, Micro-Electronic Industrial Park
Jingang Road, Tianjin, P.R. CHINA 300385
Tel : +86-22-23887788 Fax : +86-22-23887788

■ DISTRIBUTED BY

