



High Strength

10X Zoom!

High-Resolution 10X Vandal-proof
Dome Camera

SVD-4300

- Auto focus 10X optical zoom
- Day & Night with ICR
- Clear image of 500TV lines
- Noiseless low light image with SSNR
- High impact, dust and rain resistant



SAMSUNG TECHWIN



Unbreakable 10X Zoom Power, Durable High-Strength SVD-4300!

SVD-4300 is a high resolution vandal proof dome camera with a built-in advanced auto focus 10X A/F zoom lens. Its main body and dome made of high strength material withstand strong impacts, and you can easily position the camera in the optimal location due to the camera's 10X auto zoom and 3-axis rotation dome design. The camera supports various functions such as high resolution of 500TV lines, Day & Night with removable IR cut filter(ICR), high sensitivity of 0.005Lux so users can achieve safe and perfect 24-hour surveillance.



10X A/F Optical Zoom

The new SVD-4300 can effectively monitor a subject in a remote area with a built-in 10X auto focus optical zoom lens. Combined with a 10X digital zoom, it realizes a total zoom capability up to 100X enabling users to identify a distant object more clearly. In addition, installation has got much easier due to the powerful zoom function and service monitoring output support, ensuring optimal positioning of the camera.

For safe and perfect 24-hour surveillance, SVD-4300



Excellent **Impact-Resistant** and **Rain / Wind-Proof** Design

The SVD-4300 has a high strength and durable exterior material of die-cast aluminum main body and polycarbonate dome. With excellent durability that passes the strict international UL standard test, the camera performs its functions regardless of intentional damages to the camera. With dust and rain resistant design which meets the IP66, the unit can prevent rapid aging and frequent malfunctions of the dome.



Impact Test



Rain and Dust Test



High Resolution **500TVL** lines

The camera employs unique *WIII* DSP chipset and and high performance CCD sensor to capture high-resolution images of 530TVL lines in color. And it achieves higher resolution of 570TVL lines by automatically switching to monochrome mode at night for clearer identification.



Conventional Camera



SVD-4300



24/7 Clear Image! High Sensitivity of **0.005Lux**

With a minimum illumination of 0.005Lux@F1.8 that conventional cameras cannot achieve, this camera can capture images even in extremely low light conditions. And low light related noises are significantly reduced by the SSNR technology.



Conventional Camera



SVD-4300

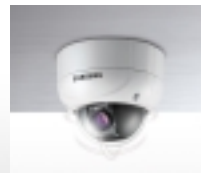


Easy to install **3-Axis** Rotation Dome

The SVD-4300's lens angle can be freely adjusted with the 3-axis rotation dome within the following range : 350°(horizontal) and 160°(vertical). Thus, the camera can be installed virtually anywhere even in walls and slopes where installing typical surveillance camera is not easy.



Wall type



Ceiling type



Slope type

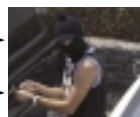


Smart Zoom Triggered by MD

The SVD-4300 comes with the Smart Zoom capability to provide enhanced alerting. When a motion is detected, the camera automatically zoom-in on the detected area for the preset time duration (Dwell Time).



Motion Detected

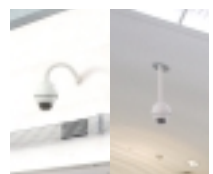


Upto 10X Smart Zoom



Various Applications

The SVD-4300 is a high-performance camera which is available in flush or surface mount. The dome complies with the IP66 standard so it can be installed under eaves of a building or exterior places which are usually exposed to dust and rain with specialized housings.



STB-249WW

STB-319VP

High-Resolution 10X Vandal-proof Dome Camera

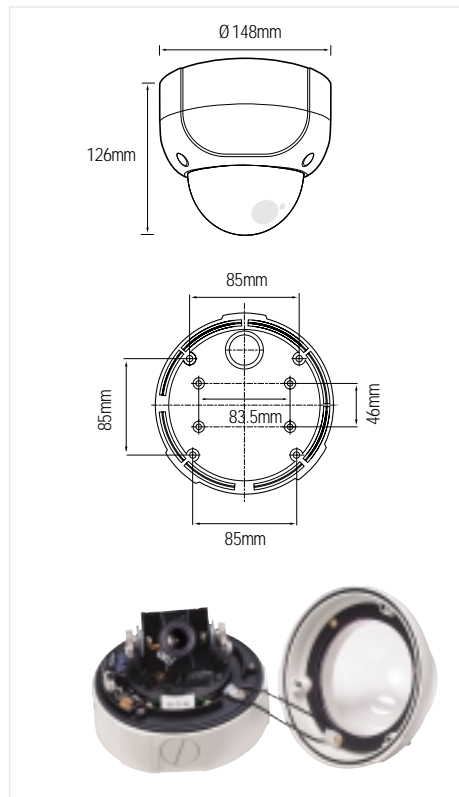
SVD-4300



Specifications

Mode	SVD-4300N	SVD-4300P
Power Source	24V AC ($\pm 10\%$), 12V DC ($\pm 10\%$)	
Power Consumption	Max. 3.5W	
Total Pixels	811(H) x 508(V)	795(H) x 596(V)
Effective Pixels	768(H) x 494(V)	752(H) x 582(V)
Image Pick-up Device	1/4" Super HAD CCD	
Scanning System	2 : 1 Interlace	
Scanning Frequency	15.734KHz(H) / 59.94Hz(V)	15.625KHz(H) / 50.00Hz(V)
Synchronization	Internal / Line lock	
Resolution	500TV lines (Color), 570TV line (B/W)	
Video Output	CVBS : 1.0Vp-p/75 Ω (VBS EXT)	
S/N (Y signal)	50dB (AGC off, Weight on)	
Min. Illumination	Color : 0.7Lux@F1.8, 0.005Lux (Sens-up) / B/W : 0.02Lux@F1.8	
Day & Night	Auto 1, Auto 2, Color, B/W (ICR)	
Back Light Compensation	Low / Middle / High / Off selectable	
Gain Control	Normal, High, Off selectable	
SSNR	Low / Middle / High / Off selectable	
White Balance	ATW (Indoor : 3,000K~10,500K, Outdoor : 1,800K~10,500K) / AWC / Manual	
Electronic Shutter Speed	Auto (128X-1/60sec~1/120,000sec)	Auto (128X-1/50sec~1/120,000sec)
Sens-up	Auto / Off (2X ~ 128X)	
OSD	Built-in	
Motion Detection	On / Off (4 Programmable zone per screen), Smart Zoom support	
Focus	Auto / Manual / One push selectable	
Privacy Function	On / Off (32Zones, It consists of 8 group 4 programmable zone per screen)	
Zoom Movement Speed	1.67sec : wide to tele	1.75sec : wide to tele
IRIS Control	Auto / Manual selectable	
Communication	RS-485 or RS-232C (9600bps, 19200bps, 38400bps selectable)	
Flip	Vertical, Horizontal, Vertical-Horizontal, Off selectable	
Preset	8 Positions	
Optical Zoom	10X, f=3.8 to 38.0mm (F1.8)	
Min. Focus Distance	1.5m	
Digital Zoom	On / Off (2X ~ 10X)	
Angle Field of View	H : Appr. 51.2°(Wide) to 5.58°(Tele) / V : Appr. 39.3°(Wide) to 4.27°(Tele)	
Operating	Temperature	0°C ~ +50°C
	Humidity	30% ~ 80% RH
Dimension	148(ϕ) x 126(H)mm	
Weight	1.4kg	

Dimensions



Optional Accessories

Pendant Mount



STB-319VP

Wall Mount



STB-249VW



The Eco mark represents Samsung Techwin's will to create environment-friendly products, and indicates that the product satisfies the EU RoHS Directive.

Design and specifications are subject to change without notice.

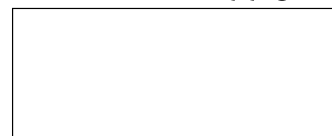


SAMSUNG TECHWIN CO., LTD.
333-1, Sangdaewon 1-dong, Jungwon-gu,
Seongnam-si, Gyeonggi-do Korea 462-807
Tel : +82-31-730-8931-3 Fax : +82-31-730-8950
www.samsungcctv.com

TIANJIN SAMSUNG OPTO-ELECTRONICS CO., LTD.
7 Pingchang Rd., Nankai Dist. Tianjin 300190, P.R.China
Tel : +86-22-2761-4724(33821) Fax : +86-22-2761-6514

SAMSUNG OPTO-ELECTRONICS UK, LTD.
Samsung House, 1000 Hillwood Drive,
Hillwood Business Park Chertsey, Surrey KT16 0PS
Tel : +44-1932-45-5308 Fax : +44-1932-45-5325

■ DISTRIBUTED BY



I.D-0707