



Strong & Durable

Indoor/Outdoor Housing  
**STH-600/600H**

- For fixed lens application
- All aluminum construction
- Wall / Ceiling installations
- Built-in fan / heater (STH-600H)
- Easy to install side-open type

**SAMSUNG TECHWIN**

**SAMSUNG**



## Indoor/Outdoor Housing

# STH-600/600H

The STH-600/600H are all-weather housings for indoor and outdoor use which protect a camera from external stimulation such as dust, moisture, temperature, or impact. The STH-600H comes with a built-in fan/heater that offers stable operation environment of CCTV cameras. The housings provide excellent installation convenience along with beautiful design.

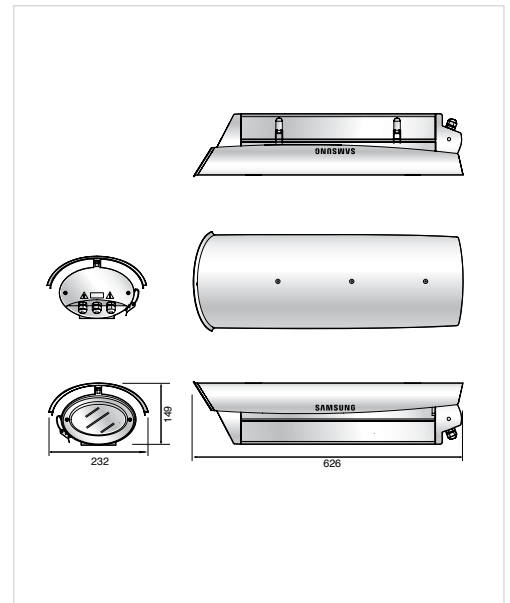


### Specifications

Mode	STH-600	STH-600H
Open Type	Side open	
Fan / Heater	-	Built-in
Materials	AL	
Color	White	
Operating Temperature	-35°C ~ 50°C	
Operating Humidity	0 to 90% RH (non-condensing)	
Dimensions	232(W) x 149(H) x 626(D)mm	
Weight	4Kg	

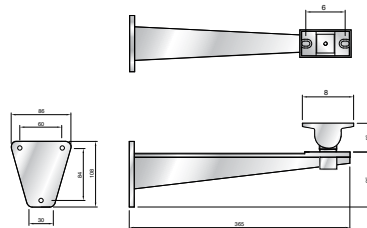
### Dimensions

Unit : mm



### Accessories

#### STB-400



The Eco mark represents Samsung Techwin's will to create environment-friendly products, and indicates that the product satisfies the EU RoHS Directive.

Design and specifications are subject to change without notice.



**SAMSUNG TECHWIN CO., LTD.**  
145-3, Sangdaewon 1-dong, Jungwon-gu,  
Seongnam-si, Gyeonggi-do Korea 462-703  
Tel : +82-31-740-8151-8 Fax : +82-31-740-8145  
www.samsungcctv.com

**SAMSUNG OPTO-ELECTRONICS UK, LTD.**  
Samsung House, 1000 Hillswood Drive,  
Hillswood Business Park Chertsey, Surrey KT16 0PS  
Tel : +44-1932-45-5308 Fax : +44-1932-45-5325

**TIANJIN SAMSUNG OPTO-ELECTRONICS CO., LTD.**  
7 Pingchang Rd., Nankai Dist, Tianjin 300190, P.R China  
Tel : +86-22-2761-4724(33821) Fax : +86-22-2761-6514

■ DISTRIBUTED BY



I.D-0712